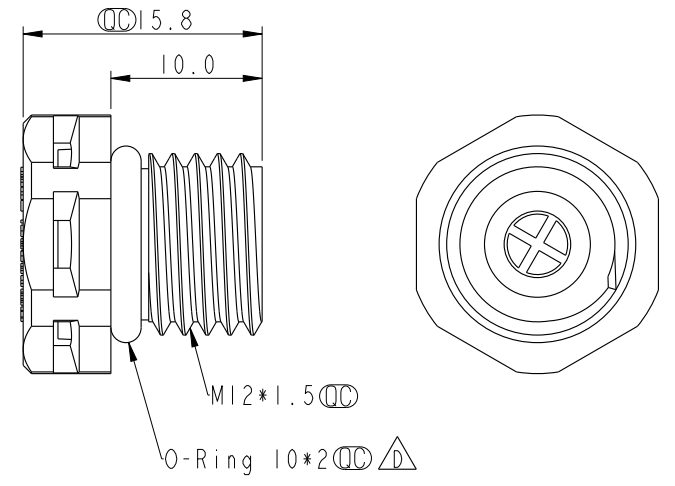
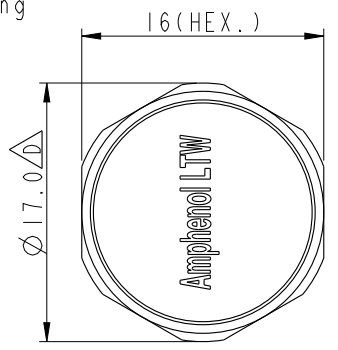
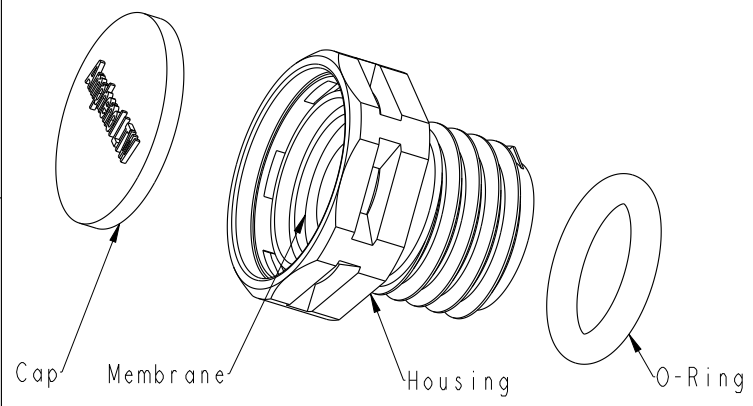


THIS DOCUMENT IS SUBJECT TO CHANGE WITHOUT NOTICE. IT IS CONFIDENTIAL AND A PROPERTY OF Amphenol LTW. DISCLOSURE TO THIRD PARTY HAS TO BE AUTHORIZED BY Amphenol LTW.

| REV. | ECN NO. | DATE | SIGN | DESCRIPTION |
|------|----------------|------------|----------|---|
| B | LEN1750155-166 | 2017/05/12 | Jinhai | Add Recommended thickness of plank |
| C | LEN1790339~350 | 2017/09/25 | Ethan | Add透氣量>3000ml/min@70mbar Vent |
| D | LEN17C0606~621 | 2017/12/15 | Ethan | Add O-Ring Dimensions And Modify Dimens |
| D | C180282 | 2018/11/01 | Xiaofeng | Drawings Change |



ALTW
CONFIDENTIAL
2018-11-01
R&D DEPT.

Without Nut

| 成品料號 (Product no.) | 透氣量 ml/min@70mbar | 主體顏色 (Body Colour) | O-Ring Color | 疏油性 (Oleophobic) | Waterproof Rate |
|--------------------|-------------------|--------------------|--------------|------------------|-----------------|
| VENT-PSINGY-N8001 | >1000 | Gray | Blue | N | IP68/IP69K |
| VENT-PSINBK-N8001 | >1000 | Black | Blue | N | IP68/IP69K |
| VENT-PSINGY-O8001 | >550 | Gray | Black | Y | IP68/IP69K |
| VENT-PSINBK-O8001 | >550 | Black | Black | Y | IP68/IP69K |
| VENT-PSINGY-O8002 | >1000 | Gray | Green | Y | IP68/IP69K |
| VENT-PSINBK-O8002 | >1000 | Black | Green | Y | IP68/IP69K |
| VENT-PSINGY-N8002 | >3000 | Gray | Red | N | IP68 |
| VENT-PSINBK-N8002 | >3000 | Black | Red | N | IP68 |

With Nut

| 成品料號 (Product no.) | 透氣量 ml/min@70mbar | 主體顏色 (Body Colour) | O-Ring Color | 疏油性 (Oleophobic) | Waterproof Rate |
|--------------------|-------------------|--------------------|--------------|------------------|-----------------|
| VENT-PSIYGY-N8001 | >1000 | Gray | Blue | N | IP68/IP69K |
| VENT-PSIYBK-N8001 | >1000 | Black | Blue | N | IP68/IP69K |
| VENT-PSIYGY-O8001 | >550 | Gray | Black | Y | IP68/IP69K |
| VENT-PSIYBK-O8001 | >550 | Black | Black | Y | IP68/IP69K |
| VENT-PSIYGY-O8002 | >1000 | Gray | Green | Y | IP68/IP69K |
| VENT-PSIYBK-O8002 | >1000 | Black | Green | Y | IP68/IP69K |
| VENT-PSIYGY-N8002 | >3000 | Gray | Red | N | IP68 |
| VENT-PSIYBK-N8002 | >3000 | Black | Red | N | IP68 |

| | | |
|------------|------------|----------|
| UNIT : mm | | |
| TOLERANCE | .X ±0.25 | .XX ±0.1 |
| .XXX ±0.05 | ANGLES ±1° | |

| | | |
|-----------------------|----------------|---------------------|
| TITLE M12*1.5 VENT | | |
| SCALE 2:1 | SIZE A4 | SHEET 1 OF 2 |
| REV. E | WC-REV. A.7 | CC: Inspection item |

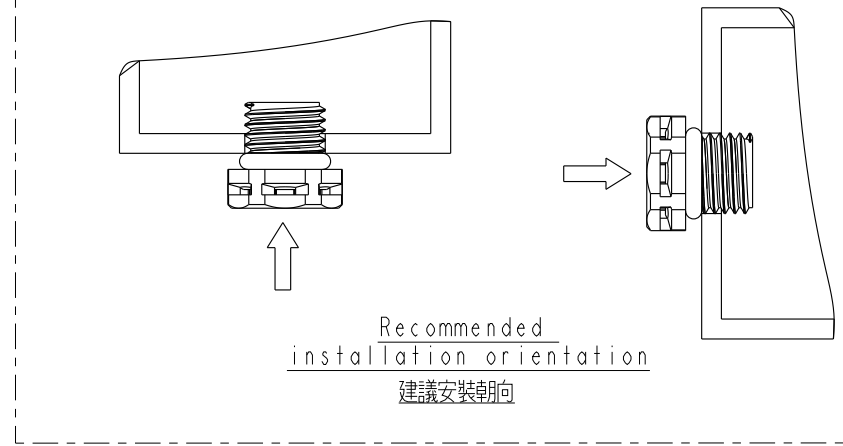
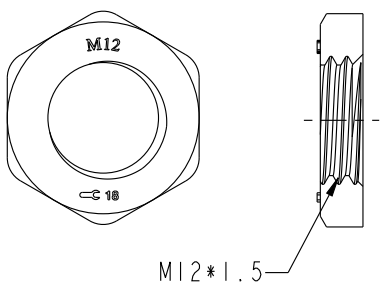
Amphenol LTW
安費諾亮泰企業股份有限公司

| | | |
|------------------------------|-----------------------|--------------------|
| ITEM NO. | DRAWN BY Xiaofeng | DATE 2018/11/01 |
| DWG NO. VENT-PSIXXX-XXXXX | CHECKED BY Feng-li | DATE 2018/11/01 |
| CUSTOMER ALTW | APPROVED BY Jerry | DATE 2018/11/01 |

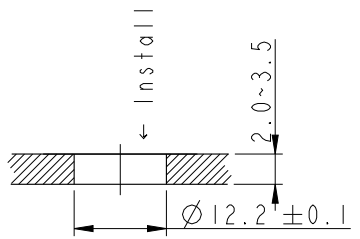
THIS DOCUMENT IS SUBJECT TO CHANGE WITHOUT NOTICE. IT IS CONFIDENTIAL AND A PROPERTY OF Amphenol LTW. DISCLOSURE TO THIRD PARTY HAS TO BE AUTHORIZED BY Amphenol LTW.

| REV. | ECN NO. | DATE | SIGN | DESCRIPTION |
|------|---------|------|------|-------------|
| | | | | |
| | | | | |
| | | | | |

Screw Nut: Optional part
 No.: APTP-ABKPA012-001
 螺母作為選配件

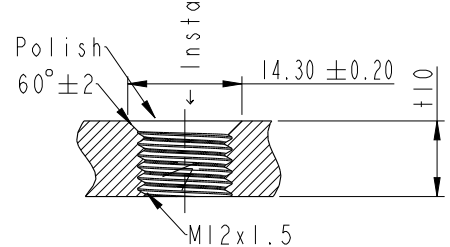


Through-hole

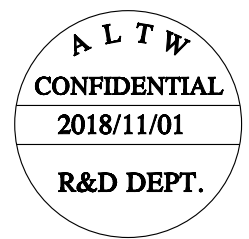


Recommended Panel Cut-Out
 建議開孔尺寸

Threaded-hole



Recommended Panel Cut-Out
 建議開孔尺寸



- Note:
- * \varnothing Important Dimension.
 - * Cap: Nylon+GF, 94V-0, UV Resistance
 - * Membrane: ePTFE
 - * Body: Nylon+GF, 94V-0, UV Resistance
 - * O-Ring: Silicone, 94V-0
 - * Recommended Torque: 6.0~8.0 Kgf.cm

| | | |
|-----------|-----------------|--|
| UNIT: mm | | |
| TOLERANCE | .X ± 0.25 | |
| | .XX ± 0.1 | |
| | .XXX ± 0.05 | |
| ANGLES | $\pm 1^\circ$ | |

| | | | |
|-----------------------|----------------|---------------------------------|--|
| TITLE M12*1.5 VENT | | | |
| SCALE 2:1 | SIZE A4 | SHEET 2 OF 2 | |
| REV. E | WC-REV. A.7 | \varnothing : Inspection item | |

Amphenol LTW
 安費諾亮泰企業股份有限公司

| | | |
|------------------------------|-----------------------|--------------------|
| ITEM NO. | DRAWN BY Xiaofeng | DATE 2018/11/01 |
| DWG NO. VENT-PSIXXX-XXXXX | CHECKED BY Feng-li | DATE 2018/11/01 |
| CUSTOMER ALTW | APPROVED BY Jerry | DATE 2018/11/01 |