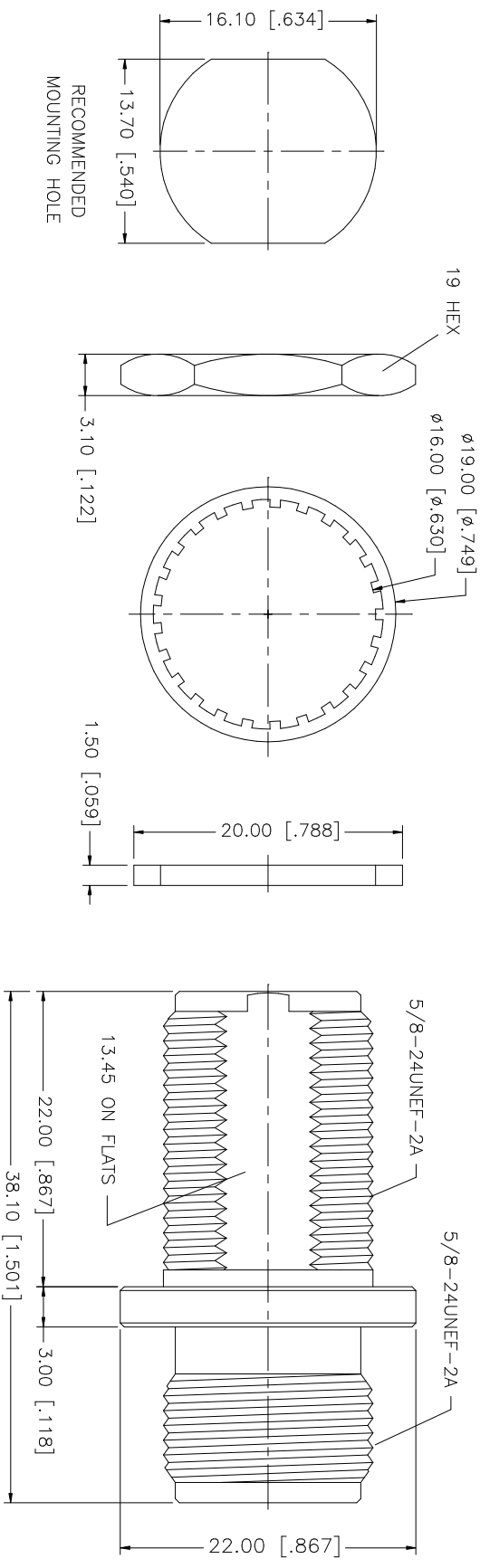


REV.	DATE	DESCRIPTION
NC	02/28/03	INITIAL RELEASE



NOTE:
1. MAX. PANEL THICKNESS = 6.5mm [.255"]

QTY	DESCRIPTION	MATERIAL	FINISH	QTY	DO NOT SCALE DRAWING	CAD FILE	DWG. NO.	REV.	NC	SIZE	SCALE
1	HEX NUT	BRASS	NEXCOTE	1			172124.DWG			A	NA
1	LOCK WASHER	BRASS	NEXCOTE	1			172124.DWG			A	NA
1	GASKET	SILICONE	RED	1			172124.DWG			A	NA
1	CONTACT PIN	PHOS. BRONZE	GOLD	1			172124.DWG			A	NA
1	INSULATOR	TEFLON	NATURAL	1			172124.DWG			A	NA
1	HOUSING/BODY	BRASS	NEXCOTE	1			172124.DWG			A	NA

Amphenol Connex

N JACK TO JACK BULKHEAD ADAPTER

172124

UNLESS OTHERWISE SPECIFIED DIMENSIONS ARE IN MILLIMETERS; DIMENSIONS IN [] ARE IN INCHES AND FOR CUSTOMER REFERENCE ONLY.
TOLERANCES FOR MILLIMETERS ARE:
0.5 - 8mm ± 0.20mm
8 - 30mm ± 0.40mm
30 - 120mm ± 0.50mm
UNLESS OTHERWISE SPECIFIED DIMENSIONS ARE:
.020 - .315 = ± 0.007"
.315 - 1.180 = ± 0.015"
1.180 - 4.724 = ± 0.020"

APPROVALS	DATE
DRAWN G.R.S.	02/28/03
CHECKED	
ISSUED	
SHEET 1 OF 1	