

Distributed by:

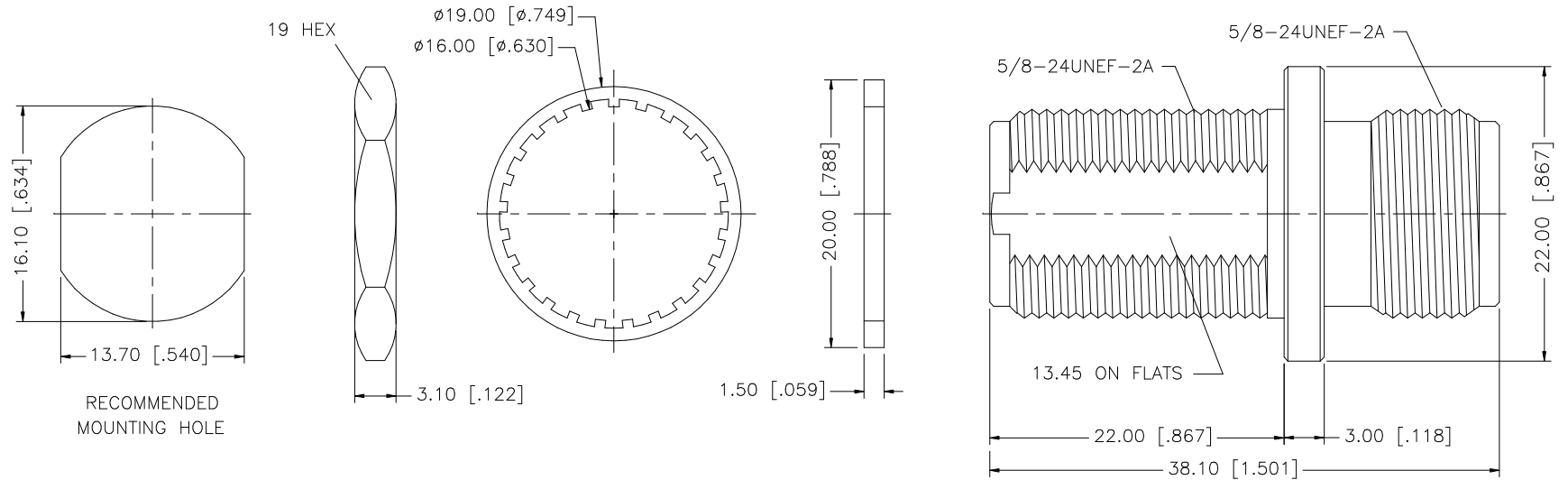
JAMECO[®]
ELECTRONICS

www.Jameco.com ♦ 1-800-831-4242

The content and copyrights of the attached
material are the property of its owner.

Jameco Part Number 659307

REV.	DATE	DESCRIPTION
NC	02/28/03	INITIAL RELEASE



NOTE:

1. MAX. PANEL THICKNESS = 6.5mm [.255"]

QTY	FINISH	MATERIAL	DESCRIPTION
1	NEXCOTE	BRASS	HEX NUT
1	NEXCOTE	BRASS	LOCK WASHER
1	RED	SILICONE	GASKET
1	GOLD	PHOS. BRONZE	CONTACT PIN
1	NATURAL	TEFLON	INSULATOR
1	NEXCOTE	BRASS	HOUSING/BODY
			DO NOT SCALE DRAWING

APPROVALS	DATE
DRAWN G.R.S.	02/28/03
CHECKED	
ISSUED	
SHEET 1 OF 1	
CAD FILE	C:/172/172124.DWG

PART DESCRIPTION
N JACK TO JACK BULKHEAD ADAPTER
PART NO. 172124
DWG. NO. 172124.DWG
REV. NC
SIZE A
SCALE NA

UNLESS OTHERWISE SPECIFIED DIMENSIONS ARE IN MILLIMETERS. DIMENSIONS IN [] ARE IN INCHES AND FOR CUSTOMER REFERENCE ONLY.
UNLESS OTHERWISE SPECIFIED TOLERANCES FOR MILLIMETERS ARE: 0.5 - 8mm ± 0.20mm 8 - 30mm ± 0.40mm 30 - 120mm ± 0.50mm
UNLESS OTHERWISE SPECIFIED TOLERANCES FOR INCHES ARE: .020 - .315 = ± 0.007" .315 - 1.180 = ± 0.015" 1.180 - 4.724 = ± 0.020"

Amphenol Connex