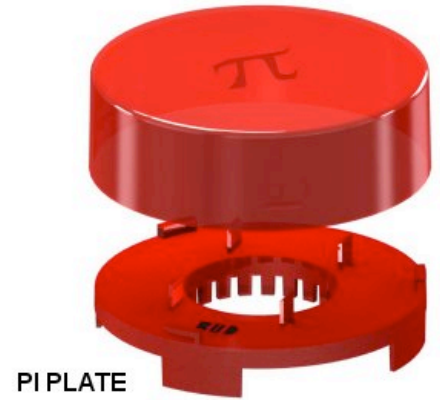
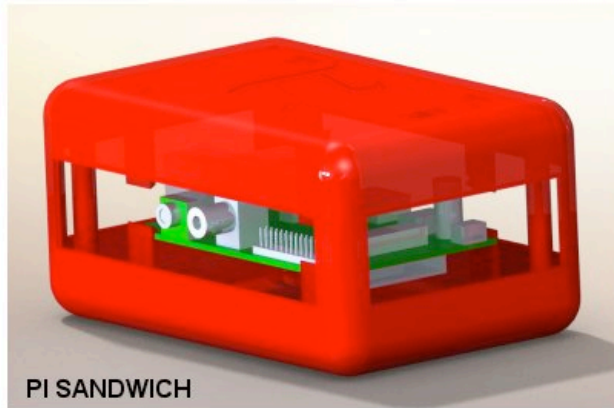




Plastic Boxes

Microcomputer Enclosures



These patent pending enclosures are designed for use with the Raspberry Pi microcomputer (not supplied) and to accommodate changes in component location on the board as well as the potential addition of components. The enclosures provide protection, flexibility and ease of access to all components with quick snap-in installation. The round version has a twist-lock cover and a central wiring access hub with cable management. The rectangular version is open on all four sides for direct access.

Design Features

- Available in two affordable styles -- The PI Sandwich and The PI Plate
- Designed to accept current version of Raspberry PI microcomputer
- Accommodate changes in component relocation on the PCB as well as the potential addition of components
- Geared for hobbyist and students to allow ease of access while experimenting
- Easy snap-in installation of PCB
- Made of durable and impact resistant ABS with attractive translucent raspberry color
- Patents (61/613,970 and 61/613,967) pending for both enclosures

The PI Sandwich

- This is a rectangular version and consists of two identical halves that fit together
- It has windows on four sides for direct access to components
- Windows have built-in slots to accept user supplied cover panels
- Well suited for users who frequently connect and disconnect from the PCB ports
- Optional silicone band will be available in future for covering windows and allowing user to easily create custom cutouts

The PI Plate

- This is a round version and consists of a base plate and an easy on/off twist-lock cover
- Well suited for desktop users
- Ideal for users who need frequent access to the GPIO Headers (auxiliary 26 pins)
- Four posts allow snap-in assembly of the PCB
- This version fully encloses all components with plenty of internal space without the need for any cutouts
- Centrally located access hub with integral cable management feature

PI SANDWICH AND PI PLATE ENCLOSURES									
Catalog Number	Style	Drawings	External Dimensions Inch / [mm]			Internal Dimensions Inch / [mm]			Weight Ozs.
			Length	Width	Height	Length	Width	Height	
PS-11591	PI Sandwich		5.12 [130]	3.35 [85]	2.52 [64]	4.96 [126]	3.19 [81]	2.36 [60]	4
PP-11593	PI Plate		6.35 [161.2]	6.35 [161.2]	2.56 [65.0]	6.13 [155.7]	6.13 [155.7]	1.50 [38.0]	6

PART NAME

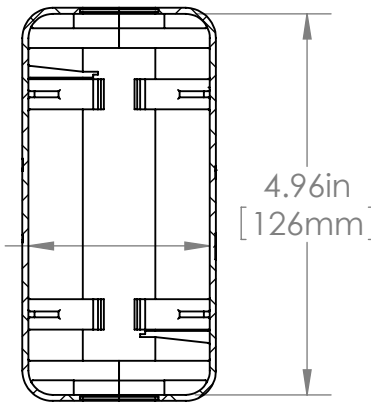
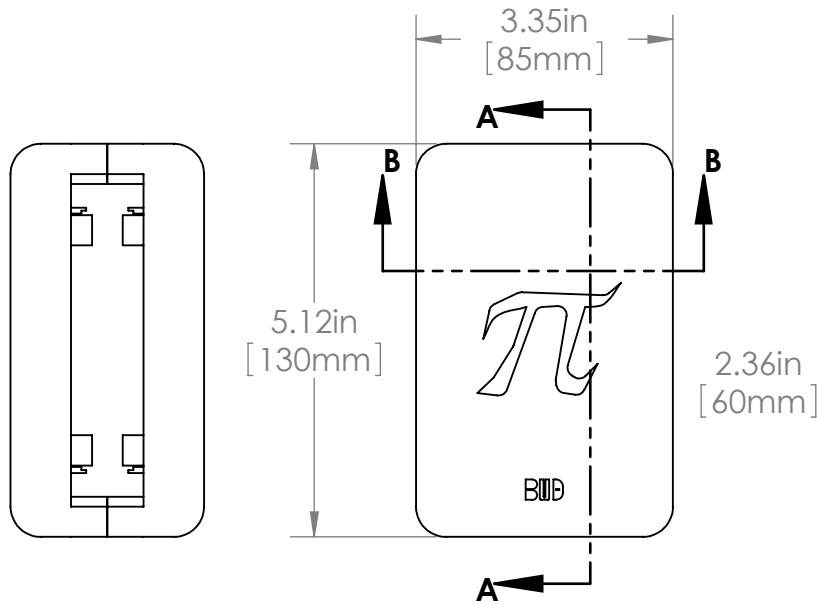
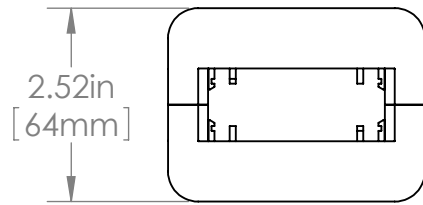
PI SANDWICH

PART No.

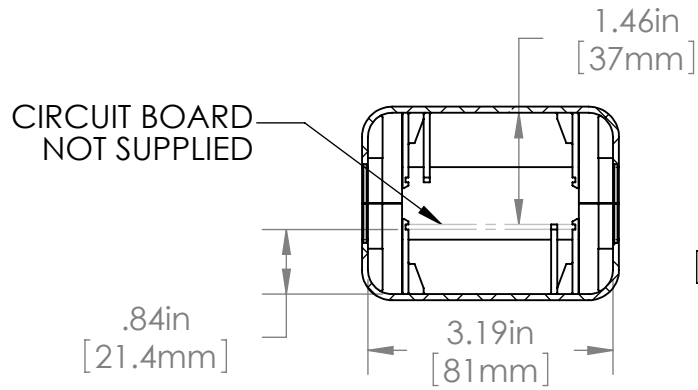
PS-11591

REV. DATE

4-18-12



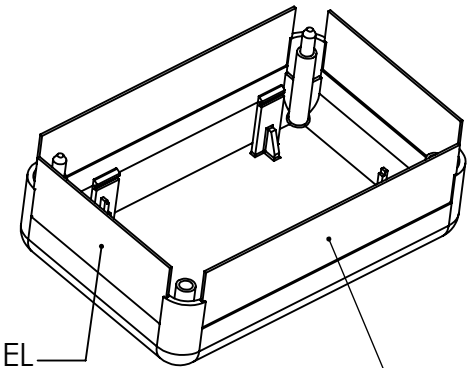
SECTION A-A



SECTION B-B

MATERIAL: TRANSLUCENT ABS

COLOR: RASPBERRY RED



CUSTOMER SUPPLIED OPTIONAL PANEL
 2.63in x 1.02in x .04in THICK
 [66.9mm] [25.9mm] [0.95mm]

CUSTOMER SUPPLIED OPTIONAL PANEL
 4.41in x 1.02in x .04in THICK
 [111.9mm] [25.9mm] [0.95mm]