

# CT05 SERIES MOLDED SWITCH




## CT05 Series

The CT05 is a molded dry reed switch. It is single-pole, single throw (SPST) type, having normally open ruthenium contacts.

The sensor is a double-ended type and may be actuated with an electromagnet, a permanent magnet or a combination of both.

The device is designed for SMD mounting and is available in Gull Wing or J-lead configurations.

## CT05 Series Features

- ▶ Ideal for SMD pick and place
- ▶ Tape and reel packaging
- ▶ 5W rating
- ▶ Rugged encapsulation
- ▶ Excellent life and reliability
- ▶ RoHS compliant 

## APPLICATIONS

- ▶ Proximity Sensing
- ▶ Medical Applications
- ▶ Hearing Aids
- ▶ Pulse Counter

MODEL NUMBER		CT05-XXXX-G1	CT05-XXXX-J1
<b>Parameters</b>	<b>Units</b>		
<b>OPERATING CHARACTERISTICS</b>			
Operate Range	AT	15-50	15-50
Release Range	AT	5-45	5-45
<b>ELECTRICAL CHARACTERISTICS</b>			
Switched Power (max)	W	5	5
Switched Voltage DC (max)	V	140	140
Switched Voltage AC, RMS value (max)	V	100	100
Switched Current DC (max)	mA	350	350
Switched Current AC, RMS value (max)	mA	250	250
Carry Current DC (max)	A	0.5	0.5
Breakdown Voltage (min)	V	230	230
Contact Resistance (initial max)	mΩ	160	160
Contact Resistance (initial typ.)	mΩ	140	140
Insulation Resistance (min)	MΩ	10 <sup>6</sup>	10 <sup>6</sup>
<b>ENVIRONMENTAL RATINGS</b>			
Storage Temperature	°C	-40 to + 125	-40 to + 125
Operating Temperature	°C	-40 to + 125	-40 to + 125
Vibration Resistance	G	10	10
Shock Resistance	G	100	100

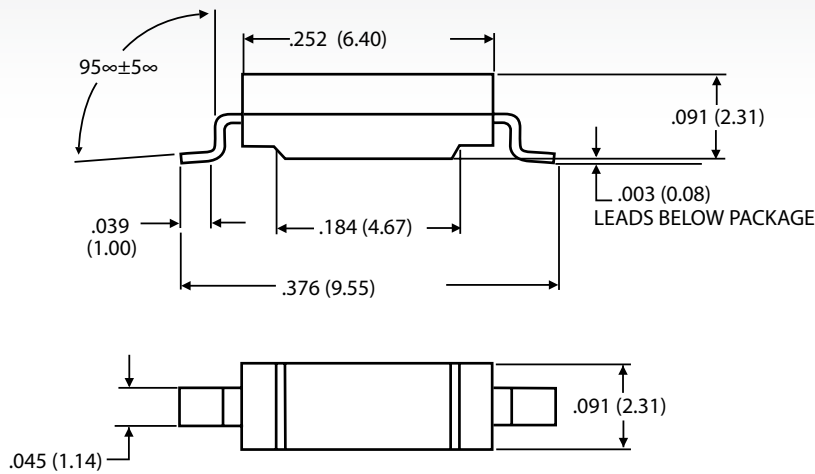
## NOTES

- ▶ AT values measured using a Philips 10JK coil.
- ▶ Surface mount component processing temperature: 500°F(260°C) max for 1 minute dwell time.
- ▶ Temperature measured on leads where lead exits molded package.

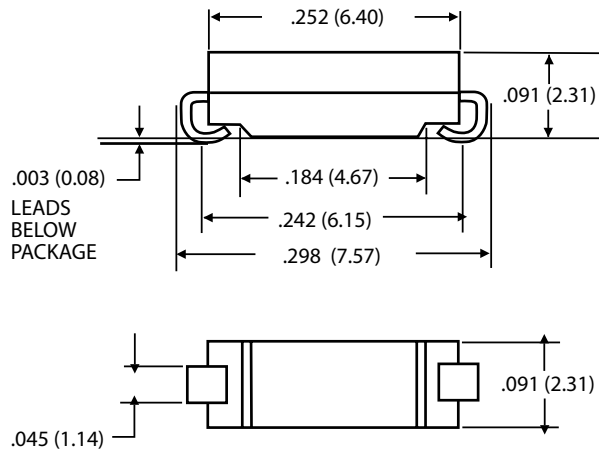
## DIMENSIONS

max Inches (Millimeters)

### CT05-XXXX-G1



### CT05-XXXX-J1



## ORDERING INFORMATION

A complete part number is represented by the digits to the right of the CT05 series prefix followed by a suffix as shown below.

**EXAMPLE:** CT05-3050-G1 is

- ▶ a CT05 sensor (5mm encapsulated switch)
- ▶ with a sensitivity range from 30 to 50AT
- ▶ lead ends are formed according to the G1 version
- ▶ CT05-XXXX (0001-1999) without a suffix is a customer special.

CT05-XXXX-YY	
<b>Series</b>	<b>Lead Configuration Subset:</b>
CT05	G1 for Gull Wing Version
	J1 for J-Lead Version
	<b>Std. AT Ranges</b> (measured after mold & lead form)
	15-35; 30-50

22102013