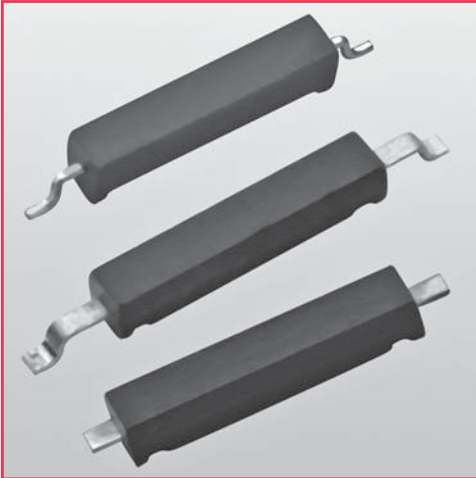


# CT10 Series Molded Switch



## CT10 Series

The CT10 is a molded dry reed switch. It is single-pole, single throw (SPST) type, having normally open ruthenium contacts.

The sensor is a double-ended type and may be actuated with an electromagnet, a permanent magnet or a combination of both.

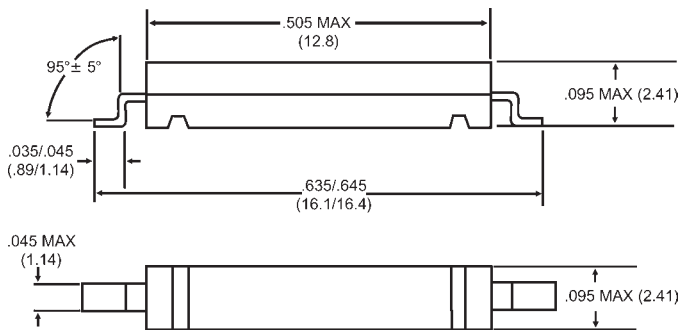
The device is designed for SMD mounting and is available in three lead configurations.

### CT10 Series Features

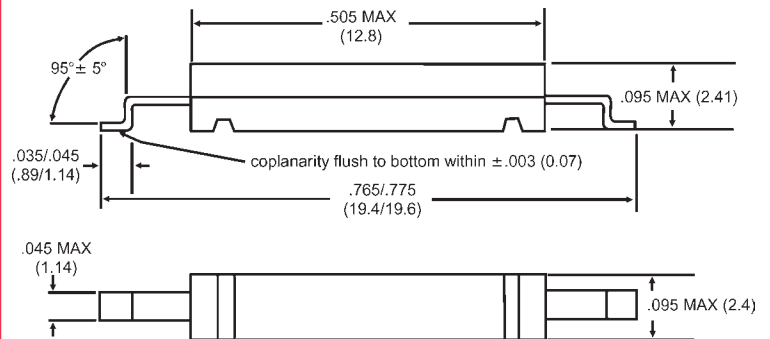
- ◆ Ideal for SMD pick and place
- ◆ Tape and reel packaging
- ◆ 10W rating
- ◆ Rugged encapsulation
- ◆ Excellent life and reliability

### Applications:

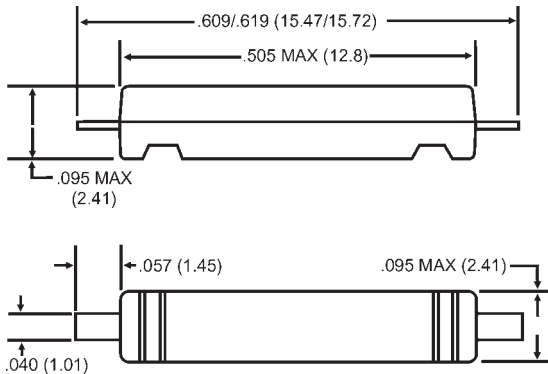
- ◆ Proximity Sensor
- ◆ Security Alarm Sensor
- ◆ Level Sensor
- ◆ Flow Sensor
- ◆ Pulse Counter



**CT10-XXXX-G1**



**CT10-XXXX-G4**



**CT10-XXXX-A2**

*Dimensions in Inches (Millimeters)*

## ORDERING INFORMATION

A complete part number is represented by the digits to the right of the CT10 series prefix followed by a suffix as shown below.

**Example:** CT10-1030-G1 is

- a CT10 sensor (10mm encapsulated switch)
- with a sensitivity range from 10 to 30AT
- lead ends are formed according to the G1 version
- \* CT10XXXX (0001-1999) without a suffix is a customer special.

### CT10-XXXX-YY

**Lead Configuration Subset:**

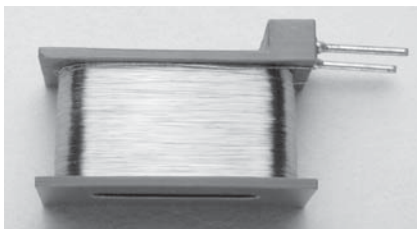
**G1** for Gull Wing version 1

**G4** for Gull Wing version 2

**A2** for Axial

**AT Range**  
(after mold & lead form)

**Series**



### Test Coil

The Magnetic sensitivity of the CT10 sensors is defined in the 10k-JK coil

# CT10 Series Molded Switch

Model Number		CT10-XXXX-G1	CT10-XXXX-G4	CT10-XXXX-A2
<b>Parameters</b>	<b>Units</b>			
<b>OPERATING CHARACTERISTICS</b>				
Operate Range	AT	10-40	10-30	10-40
Release Range	AT	3-35	3-25	3-35
<b>ELECTRICAL CHARACTERISTICS</b>				
Switched Power (max)	W	10	10	10
Switched Voltage DC (max)	V	200	200	200
Switched Voltage AC, RMS value (max)	V	140	140	140
Switched Current DC (max)	mA	500	500	500
Switched Current AC, RMS value (max)	mA	500	500	500
Carry Current DC (max)	A	0.5	0.5	0.5
Breakdown Voltage (min)	V	230	230	230
Contact Resistance (initial max)	m Ω	150	150	150
Contact Resistance (initial typ.)	m Ω	100	100	100
Insulation Resistance (min)	MΩ	10 <sup>6</sup>	10 <sup>6</sup>	10 <sup>6</sup>
<b>ENVIRONMENTAL RATINGS</b>				
Storage Temperature	°C	-40 to + 125	-40 to + 125	-40 to + 125
Operating Temperature	°C	-40 to + 125	-40 to + 125	-40 to + 125
Soldering Temperature	°C	260 <sup>1</sup>	226 <sup>2</sup>	226 <sup>2</sup>
Vibration	G	10	10	10
Shock	G	100	100	100

\*Specifications are based on standard switch. Contact factory for other possibilities.

## Notes:

<sup>1</sup>Surface mount component processing temperature:  
500°F(260°C) max for 1 minute dwell time.  
Temperature measured on leads where lead exits  
molded package.

<sup>2</sup>Surface mount component processing temperature:  
438°F(226°C) max for 1 minute dwell time.  
Temperature measured on leads where lead exits  
molded package.