

CT10 SERIES ENCAPSULATED MOLDED SWITCH



CT10 Series


The CT10 is an encapsulated molded dry reed switch. It is single-pole, single throw (SPST) type, having normally open ruthenium contacts.

The sensor is a double-ended type and may be actuated with an electromagnet, a permanent magnet or a combination of both.

The device is designed for SMD mounting and is available in three lead configurations.

* NEW CT10-G2 now 260 °C process temperature hardy.

CT10 Series Features

- ▶ Ideal for SMD pick and place
- ▶ Tape and reel packaging
- ▶ 10W rating
- ▶ Rugged encapsulation
- ▶ Excellent life and reliability
- ▶ RoHS compliant 

APPLICATIONS

- ▶ Proximity Sensing
- ▶ Security Alarm Sensor
- ▶ Level Sensor
- ▶ Flow Sensor
- ▶ Pulse Counter

MODEL NUMBER	CT10-XXXX-YY	
Parameters	Units	
OPERATING CHARACTERISTICS		
Operate Range	AT	10-40
Release Range	AT	3-35
ELECTRICAL CHARACTERISTICS		
Switched Power (max)	W	10
Switched Voltage DC (max)	V	200
Switched Voltage AC, RMS value (max)	V	140
Switched Current DC (max)	mA	500
Switched Current AC, RMS value (max)	mA	500
Carry Current DC (max)	A	0.5
Breakdown Voltage (min)	V	230
Contact Resistance (initial max)	mΩ	200
Insulation Resistance (min)	MΩ	10 ⁶
ENVIRONMENTAL RATINGS		
Storage Temperature	°C	-40 to + 125
Operating Temperature	°C	-40 to + 125
Vibration Resistance	G	10
Shock Resistance	G	100

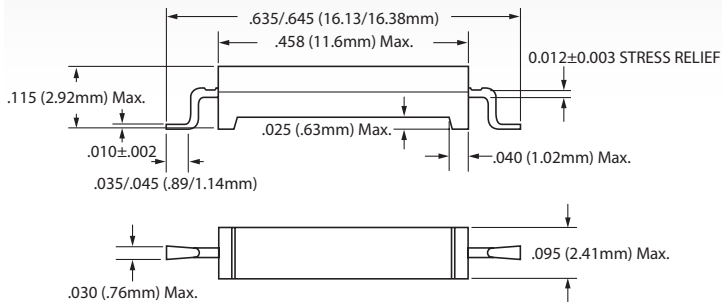
NOTES

- ▶ AT values measured using a Philips 10JK coil.
- ▶ Surface mount component processing temperature Model G1 & G2: 500°F(260°C) max for 1 minute dwell time; Model G4 & A2: 439°F(226°C) max for 1 minute dwell time.
- ▶ Temperature measured on leads where lead exits molded package.

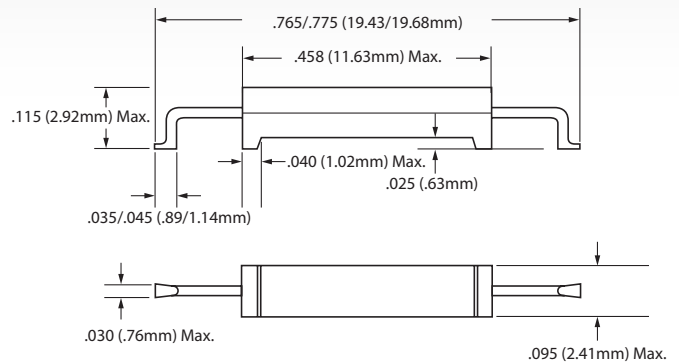
DIMENSIONS

in Inches (Millimeters)

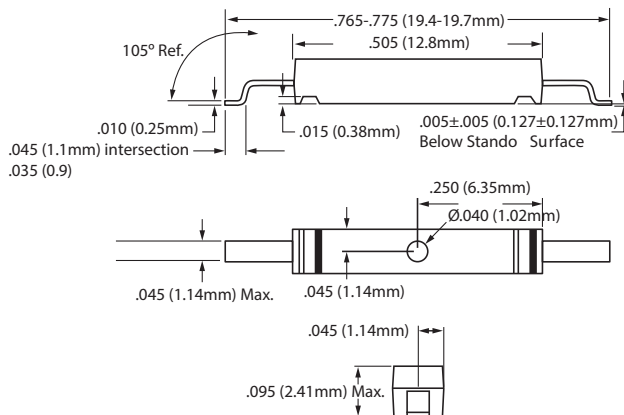
CT10-XXXX-G1



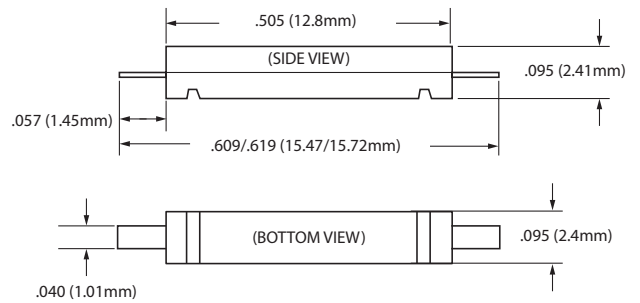
CT10-XXXX-G2



CT10-XXXX-G4



CT10-XXXX-A2



ORDERING INFORMATION

A complete part number is represented by the digits to the right of the CT10 series prefix followed by a suffix as shown below.

EXAMPLE: CT10-1030-G1 is
 a CT10 sensor (10mm encapsulated switch)
 with a sensitivity range from 10 to 30AT
 lead ends are formed according to the G1 version

CT10-XXXX-YY

Series
CT10

Lead Configuration Subset:

G1 for Gull Wing Version 1 (16.4mm)
G2/G4 for Gull Wing Version 2 (19.6mm)
A2 for Axial

AT Range (measured after mold & lead form)
 10-30; 10-40