

PART NUMBER: GC0251K

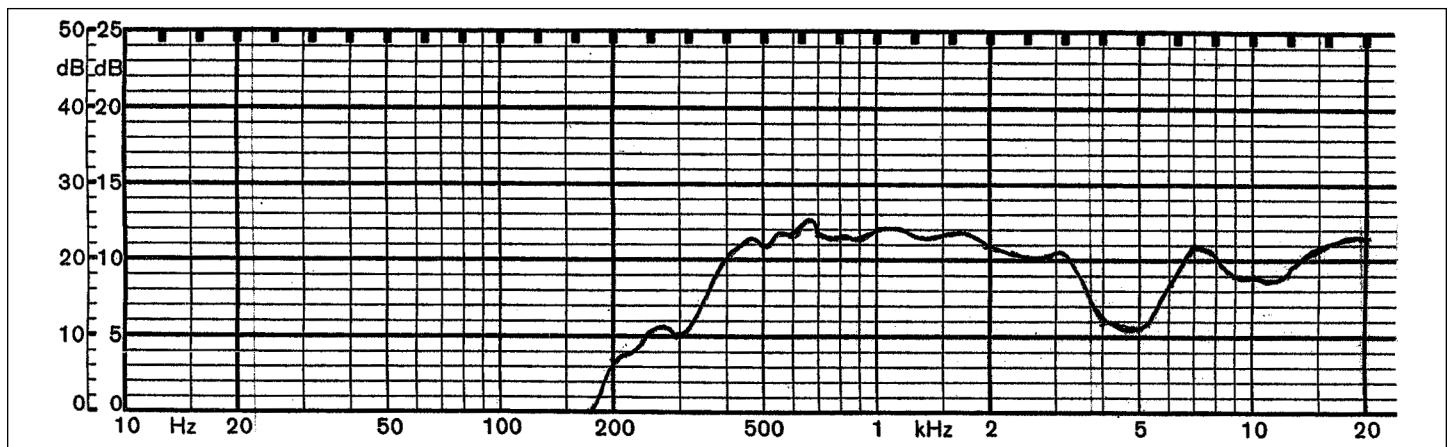
DESCRIPTION: speaker

SPECIFICATIONS

| | | | |
|----------------------|--------------------------------------|-----------------------------------------------|-------------|
| nominal size | 14 x 25 mm | | |
| impedance | 8 Ohm \pm 15% | at | 1.5 kHz 1 V |
| resonant frequency | 700 Hz \pm 140 Hz | at | 1 V |
| sound pressure level | 81 dB/W \pm 3 dB | 1 W 50 cm ave. at 0.8 k, 1 k, 1.2 k, 1.5 k Hz | |
| response | Fo Hz ~ 20 kHz max 10 dB | | |
| input power | nominal 1 W | handling capacity | 1.5 W |
| operation | must be normal at program source 1 W | | |
| buzz, rattle, etc. | must be normal at sine wave 2.9 V | | |
| magnet | size: 7.9 x 1.3 mm | | |
| load test | white noise 1 W | for | 24 hours |
| heat test | 60 \pm 2° C | 20~50% R.H. | 24 hours |
| humidity test | 40 \pm 2° C | 90~95% R.H. | 24 hours |

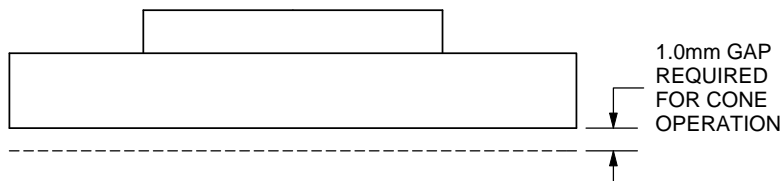
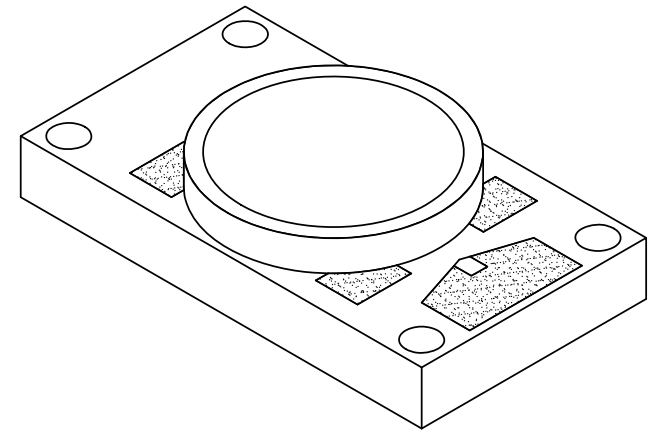
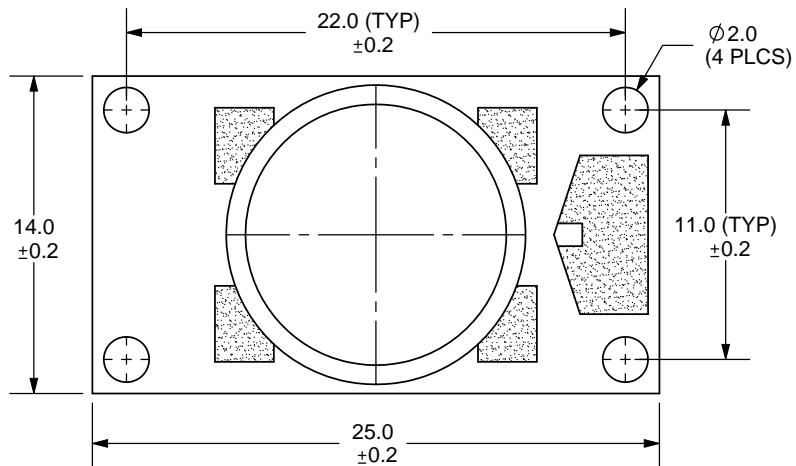
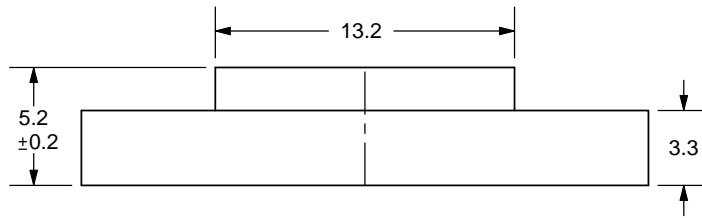
FREQUENCY RESPONSE CURVE

| | |
|-----------------------|------------|
| potentiometer range | 50 dB |
| rectifier | RMS |
| lower limit frequency | 20 Hz |
| wr. speed | 100 mm/sec |



zero level 60 dB

| REV. | DESCRIPTION | DATE |
|------|------------------------|------------|
| A | NEW DRAWING | 6/4/2007 |
| B | cone gap diagram added | 10/21/2008 |



TOLERANCE:
±0.5mm UNLESS OTHERWISE
SPECIFIED



20050 SW 112th Ave.
Tualatin, OR 97062
Phone: 503-612-2300
800-275-4899
Fax: 503-612-2383
Website: www.cui.com

| | | |
|-------------------------------------|--------------------|------------|
| TITLE: LOW PROFILE NOTEBOOK SPEAKER | | REV: B |
| PART NO. GC0251K | UNITS: MM [INCHES] | |
| DRAWN BY: ZRJ | APPROVED BY: | SCALE: 3:1 |

PC FILE NAME:
GC0251K

COPYRIGHT 2008 BY CUI INC.