

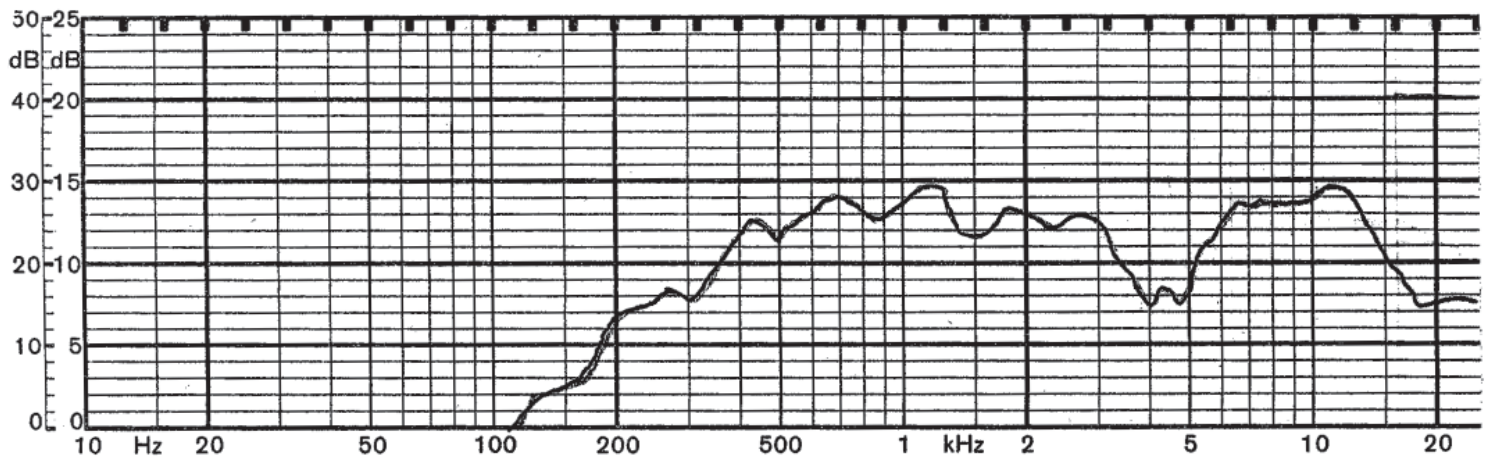
PART NUMBER: GC0301K
DESCRIPTION: SPEAKER

SPECIFICATIONS

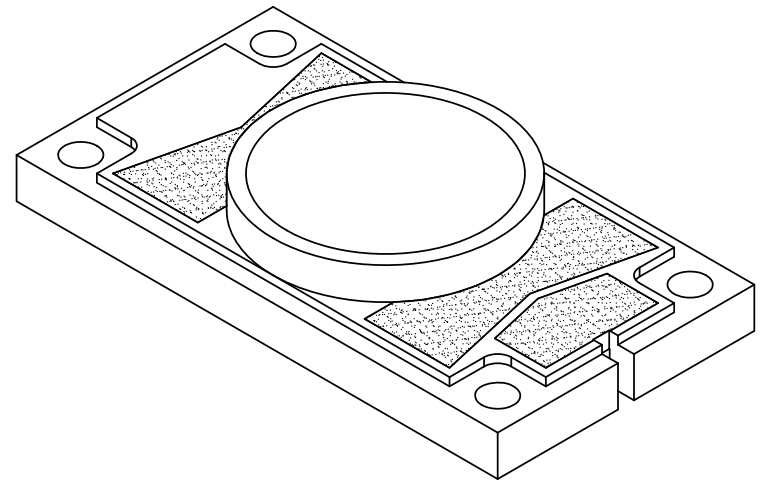
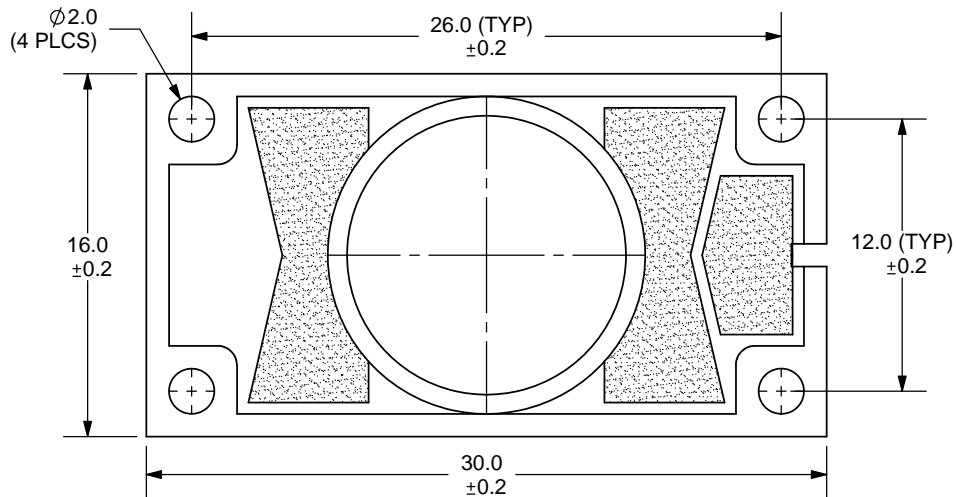
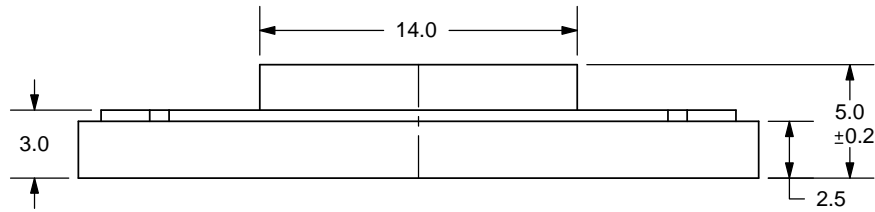
parameter	conditions/description	min	nom	max	units
nominal size	16 x 30 mm				
impedance	at 1.5 kHz, 1 V	6.8	8	9.2	Ω
resonant frequency	at 1 V	400	500	600	Hz
sound pressure level	0.5 W, 50 cm ave., at 0.8, 1, 1.2, 1.5k Hz	74	77	80	dB
response	10 dB max.	Fo		4,000	Hz
input power			0.5	1	W
operation	must be normal at program source		0.5		W
buzz, rattle, etc.	must be normal at sine wave		2		V dc
magnet	size: 7.9 x 1.3 mm				
load test	24 hours of white noise at		0.5		W
heat test	20 ~ 50% RH for 24 hours	63	65	67	$^{\circ}$ C
humidity test	90 ~ 95% RH for 24 hours	38	40	42	$^{\circ}$ C
RoHS	yes				

FREQUENCY RESPONSE CURVE

parameter	conditions/description
potentiometer range	50 dB
rectifier	RMS
lower limit frequency	20 Hz
wr. speed	100 mm/sec
zero level	50 dB



REV.	DESCRIPTION	DATE
A	NEW DRAWING	6/4/2007



TOLERANCE:
 ±0.5mm UNLESS OTHERWISE
 SPECIFIED



20050 SW 112th Ave.
 Tualatin, OR 97062
 Phone: 503-612-2300
 800-275-4899
 Fax: 503-612-2383
 Website: www.cui.com

TITLE: LOW PROFILE NOTEBOOK SPEAKER		REV: A
PART NO. GC0301K	UNITS: MM [INCHES]	
DRAWN BY: ZRJ	APPROVED BY:	SCALE: 3:1

PC FILE NAME:
 GC0301K

COPYRIGHT 2007 BY CUI INC.