

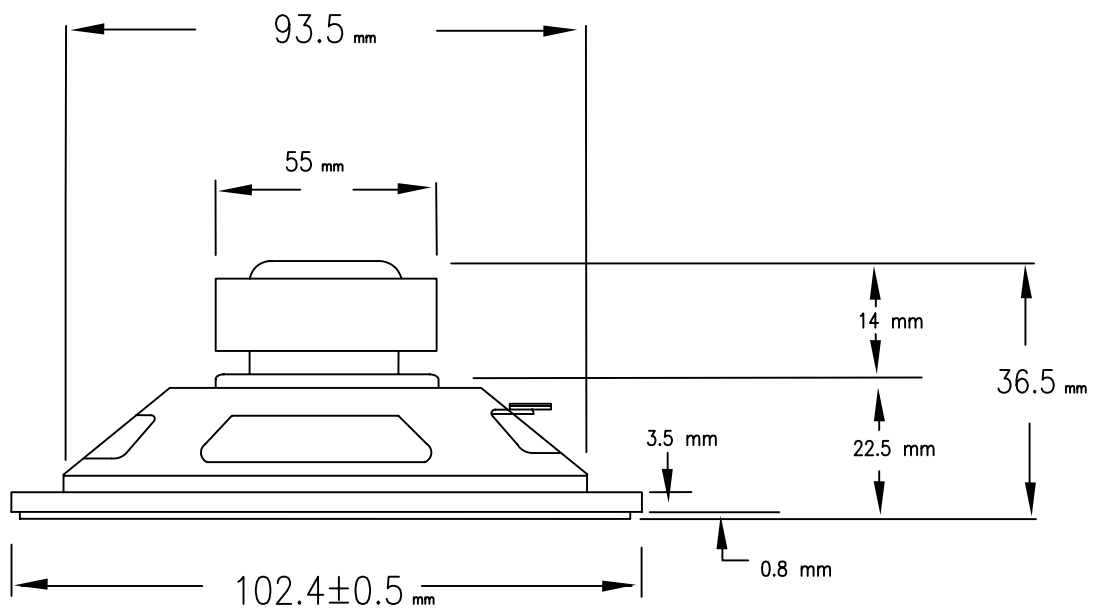
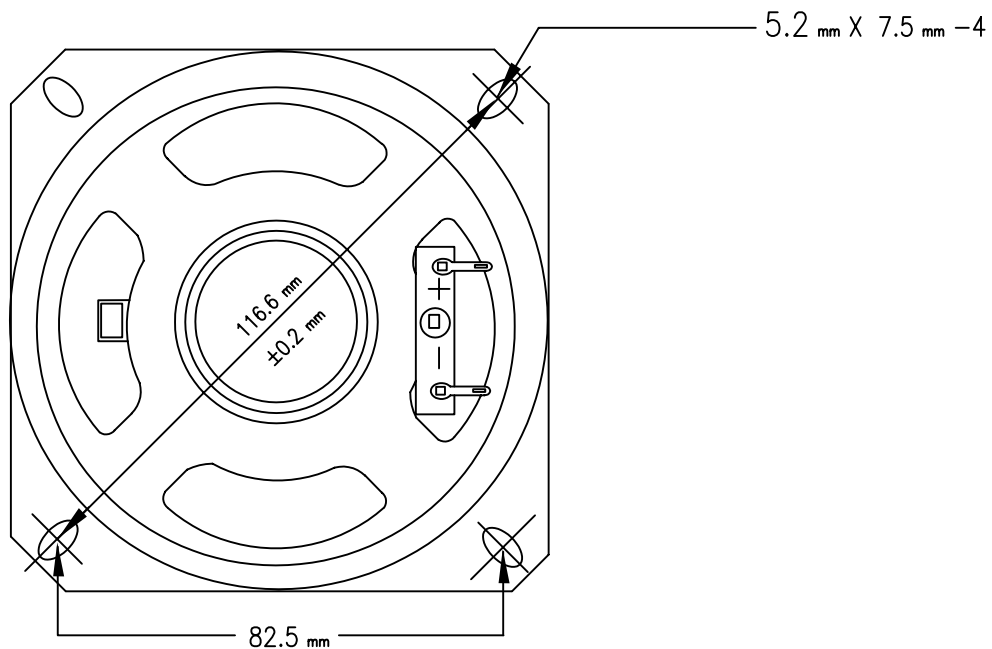


9615 SW Allen, Suite 103
 Beaverton, OR 97005
 Phone: (503) 643-4899
 800-275-4899
 Fax: (503) 372-1266
 Website: www.cui.com

Specifications

1	Part No.	GF1004M			
2	Nominal Size	102 mm.	4"	inch	
3	Impedance	8 Ω ± 15%	at 0.6K Hz.	1 V.	
4	Resonance	230 Hz. ± 46 Hz.	F0 Hz.	1 V.	
5	S.P. Level	93 dB/W	2 dB	1 w. 50 cm. average at	
6	Response	fo Hz. ~ 14K Hz.	MAX 10dB	400, 500, 600, 800 Hz.	
7	Crossover Freq.	Hz.	Hz.	dB/OCT	Net work
8	Input Power	Nominal Input	6 w.	Handling Capacity	10 w.
9	Operation	Must be normal at program source			6 w.
10	Buzz, Rattle, etc.	Must be normal at sine wave			6.9 v.
11	Flux Density	Gauss ± 10%			
12	Total Flux	Max well min			
13	Magnet	Size	55 x 25 x 8 mm	gr	oz
14	Total Weight	gr oz			
15	Load Test	After test meet item 9 and 10	White noise	6 W.	48 Hours
16	Distortion	% MAX Hz W.			
17	Heat Test	After test meet item 9 and 10	70±2 ±°C	20-50 %R.H.	48 Hours
18	Humidity Test	After test meet item 9 and 10	40±2 ±°C	90-95 %R.H.	48 Hours

PART NO.	GF1004M	UNITS:	mm
DRAWN BY:		PAGE NO:	1 of 2



9615 SW Allen, Suite 103
 Beaverton, OR 97005
 Phone: (503) 643-4899
 800-275-4899
 Fax: (503) 372-1266
 Website: www.cui.com

TITLE:

PART NO.

GF1004M

UNITS:

mm

DRAWN BY:

APPROVED BY: