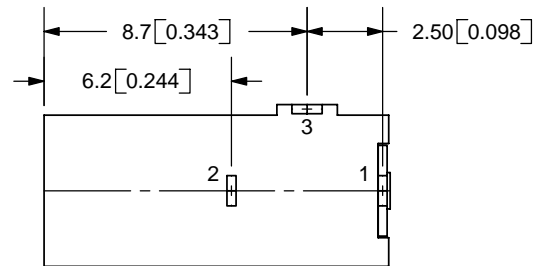
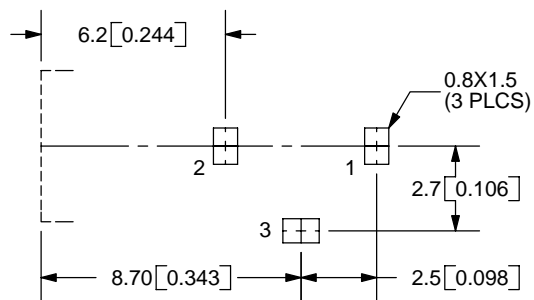
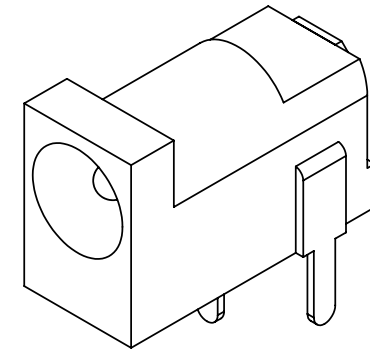
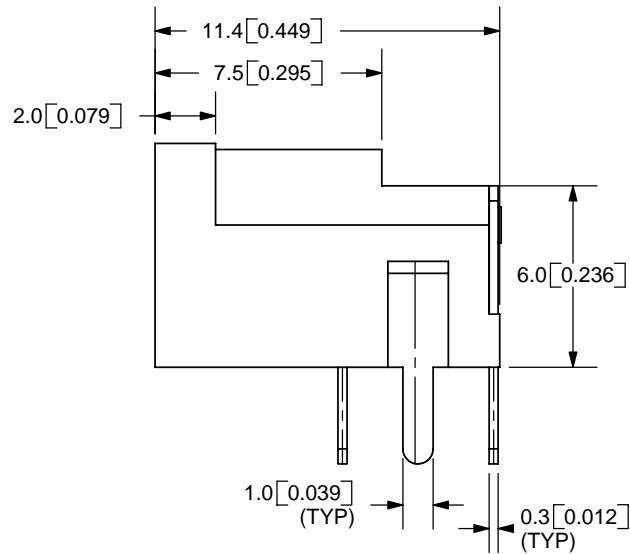
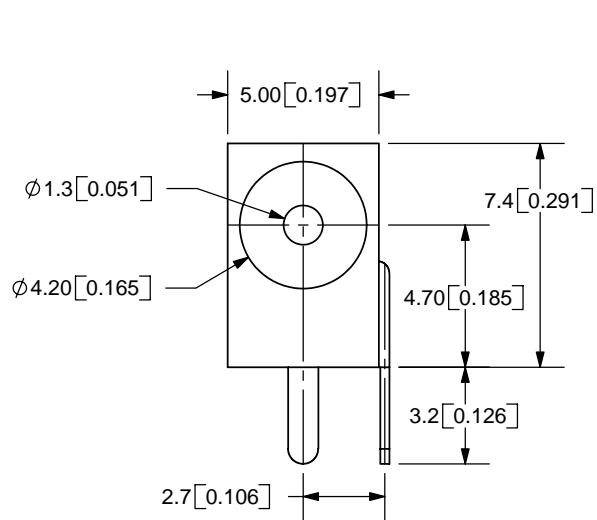


REV.	DESCRIPTION	DATE
A	NEW DRAWING	4/17/2006



TOLERANCE:
X.X ±0.2mm
X.XX ±0.1mm
X.XXX ±0.05mm



PCB LAYOUT
TOP VIEW

MODEL NO.	PJ-007
SCHEMATIC	

CENTER PIN DIAMETER 1.3mm Dia.

SPECIFICATIONS:
RATING: 12V DC @ 1A
CONTACT RESISTANCE: 30m OHMS MAX
INSULATION RESISTANCE: 100M OHMS MIN: 500V DC
VOLTAGE WITHSTAND: 500V AC R.M.S. FOR 1 MINUTE
LIFE: 5,000 CYCLES

	MATERIAL	PLATING
CENTER PIN	Brass	Nickel
TERMINAL 1	Brass	Tin
TERMINAL 2	PBS	Tin
TERMINAL 3	Brass	Tin
HOUSING	PBT	



9615 SW Allen Blvd., Ste. 103
Beaverton, OR 97005
Phone: 503-643-4899
800-275-4899
Fax: 503-372-1266
Website: www.cui.com

TITLE:	DC POWER JACK	REV:	A
PART NO.	PJ-007	UNITS:	MM [INCHES]
DRAWN BY:	ZRJ	APPROVED BY:	
		SCALE:	4:1

PC FILE NAME:
PJ-007

COPYRIGHT 2006 BY CUI INC.