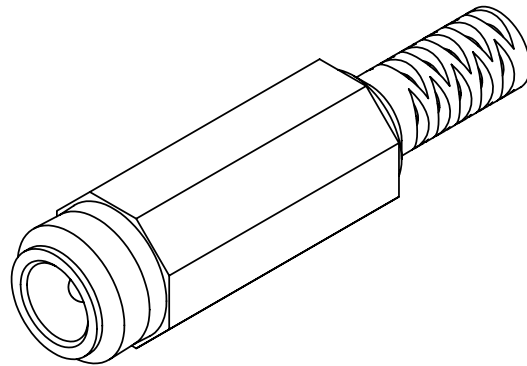
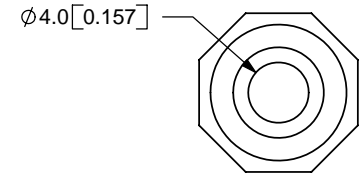
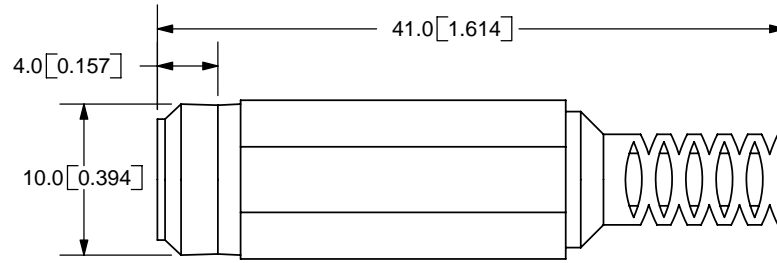
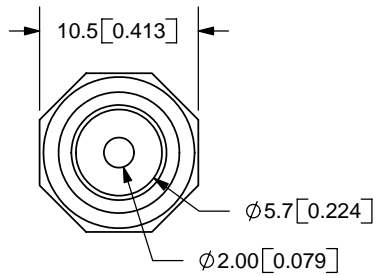


REV.	DESCRIPTION	DATE
A	NEW DRAWING	11/11/2005



TOLERANCE:
±0.3mm



SPECIFICATIONS:
 RATING: 12V DC @ 0.5A
 INSULATION RESISTANCE: 100M OHMS MIN: 500V DC
 VOLTAGE WITHSTAND: 500V AC R.M.S. FOR 1 MINUTE
 LIFE: 5,000 CYCLES



9615 SW Allen Blvd., Ste. 103
 Beaverton, OR 97005
 Phone: 503-643-4899
 800-275-4899
 Fax: 503-372-1266
 Website: www.cui.com

MODEL NO.	PR-002A
SCHEMATIC	1
	2

CENTER PIN DIAMETER 2.0mm Dia.

	MATERIAL	PLATING
CONTACT PIN	PBS	Nickel
CAP	PE	
TERMINAL 1	BSR	Nickel
TERMINAL 2	BSR	Nickel
PIN	BSBM	Nickel
RING	BSBM	Nickel
BODY	PA	

TITLE: DC POWER PLUGS		REV: A
PART NO. PR-002A	UNITS: MM [INCHES]	
DRAWN BY: ZRJ	APPROVED BY:	SCALE: 2:1

PC FILE NAME:
PR-002A

COPYRIGHT 2005 BY CUI INC.