



PART NUMBER: GC0301K

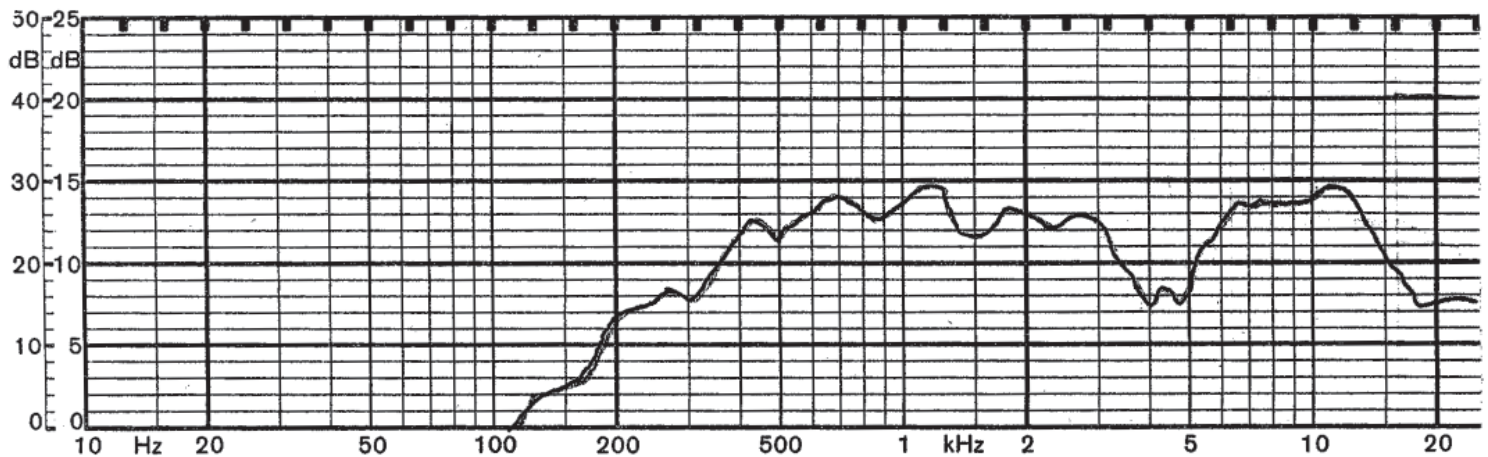
DESCRIPTION: SPEAKER

SPECIFICATIONS

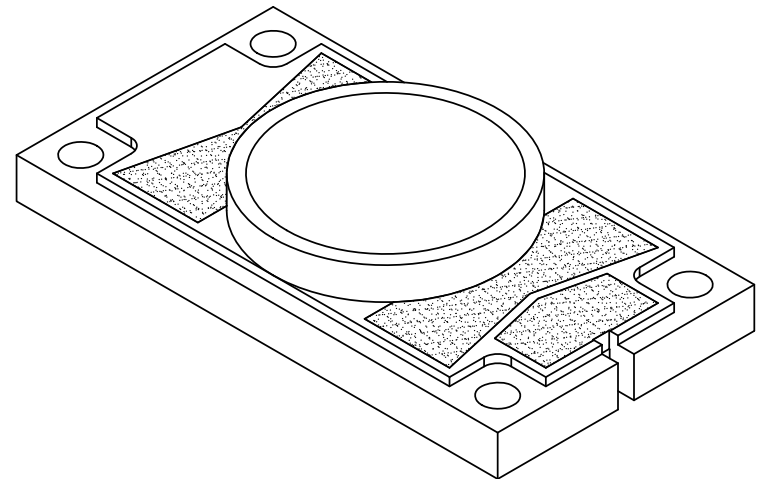
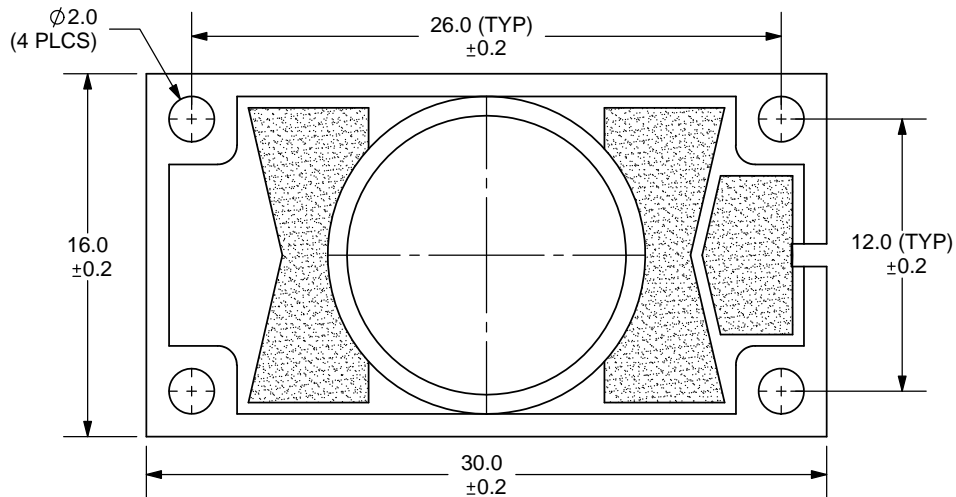
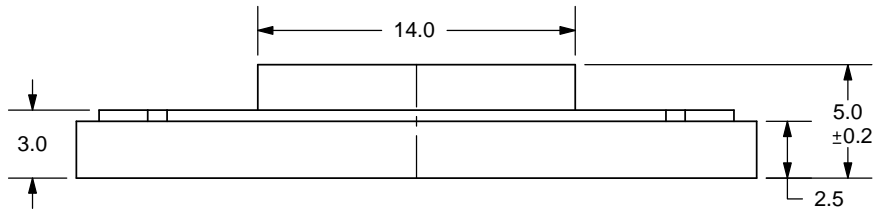
| parameter | conditions/description | min | nom | max | units |
|----------------------|--|-----|-----|-------|--------------|
| nominal size | 16 x 30 mm | | | | |
| impedance | at 1.5 kHz, 1 V | 6.8 | 8 | 9.2 | Ω |
| resonant frequency | at 1 V | 400 | 500 | 600 | Hz |
| sound pressure level | 0.5 W, 50 cm ave., at 0.8, 1, 1.2, 1.5k Hz | 74 | 77 | 80 | dB |
| response | 10 dB max. | Fo | | 4,000 | Hz |
| input power | | | 0.5 | 1 | W |
| operation | must be normal at program source | | 0.5 | | W |
| buzz, rattle, etc. | must be normal at sine wave | | 2 | | V dc |
| magnet | size: 7.9 x 1.3 mm | | | | |
| load test | 24 hours of white noise at | | 0.5 | | W |
| heat test | 20 ~ 50% RH for 24 hours | 63 | 65 | 67 | $^{\circ}$ C |
| humidity test | 90 ~ 95% RH for 24 hours | 38 | 40 | 42 | $^{\circ}$ C |
| RoHS | yes | | | | |

FREQUENCY RESPONSE CURVE

| parameter | conditions/description |
|-----------------------|------------------------|
| potentiometer range | 50 dB |
| rectifier | RMS |
| lower limit frequency | 20 Hz |
| wr. speed | 100 mm/sec |
| zero level | 50 dB |



| REV. | DESCRIPTION | DATE |
|------|-------------|----------|
| A | NEW DRAWING | 6/4/2007 |



TOLERANCE:
 ±0.5mm UNLESS OTHERWISE
 SPECIFIED



20050 SW 112th Ave.
 Tualatin, OR 97062
 Phone: 503-612-2300
 800-275-4899
 Fax: 503-612-2383
 Website: www.cui.com

| | | |
|-------------------------------------|--------------------|------------|
| TITLE: LOW PROFILE NOTEBOOK SPEAKER | | REV: A |
| PART NO. GC0301K | UNITS: MM [INCHES] | |
| DRAWN BY: ZRJ | APPROVED BY: | SCALE: 3:1 |

PC FILE NAME:
 GC0301K

COPYRIGHT 2007 BY CUI INC.