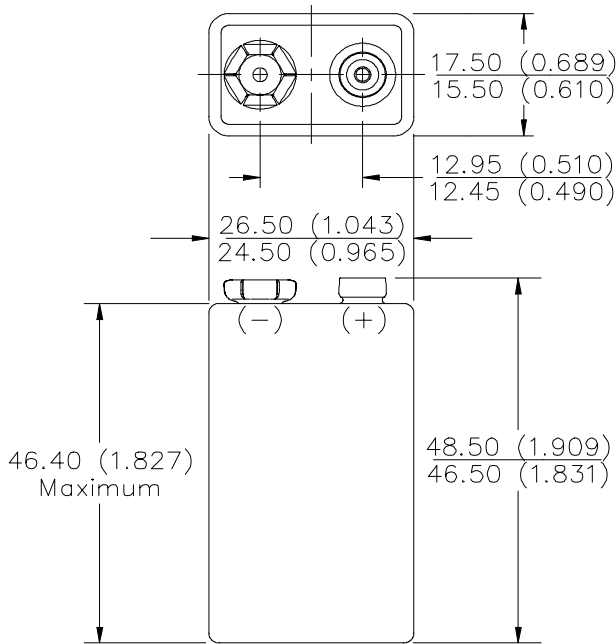


## ENERGIZER NO. EN22



Industry Standard Dimensions in mm (inches)



**9V**

**NOT INTENDED FOR RETAIL TRADE**

**Chemical System:** Alkaline  
 Zinc-Manganese Dioxide (Zn/MnO<sub>2</sub>)  
 (No Added Mercury or Cadmium)

**Designation:** ANSI-1604A, IEC-6LR61

**Battery Voltage:** 9.0 Volts

**Operating Temp:** -18°C to 55°C (0°F to 130°F)

**Average Capacity:** 625 mAh (to 0.8 volts/cell)  
 (Rated capacity at 25 mA continuous drain)

**Average Weight:** 45.6 grams (1.6 oz.)

**Volume:** 21.1 cubic centimeters (1.3 cubic inch)

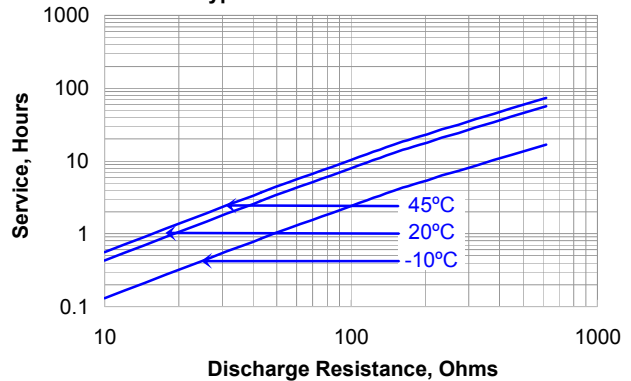
**Cell:** Six No. 3-0316 in series

**Jacket:** Metal

**Shelf Life:** 5 years (80% of rated capacity)

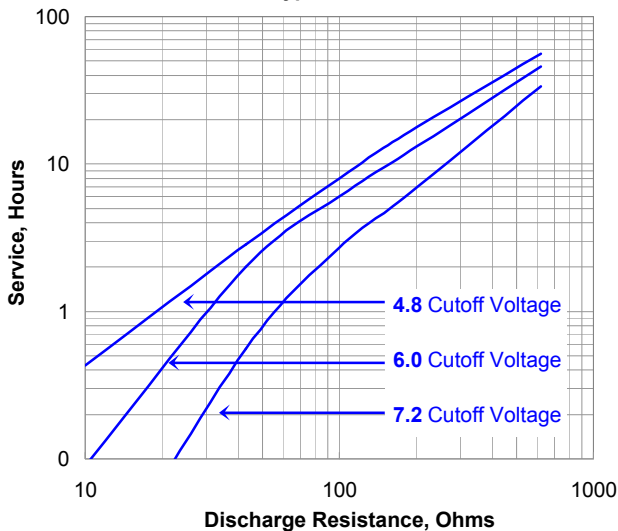
### TEMPERATURE EFFECTS

Typical Service to 4.8 Volts



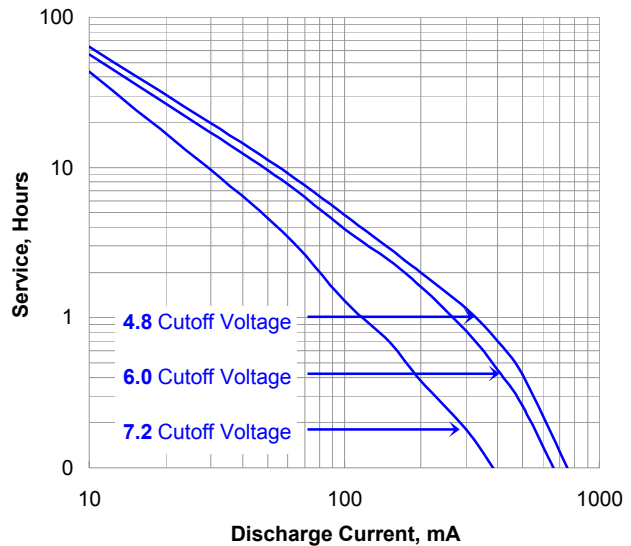
### CONSTANT RESISTANCE PERFORMANCE

Typical Service



### CONSTANT CURRENT DISCHARGE

Typical Service



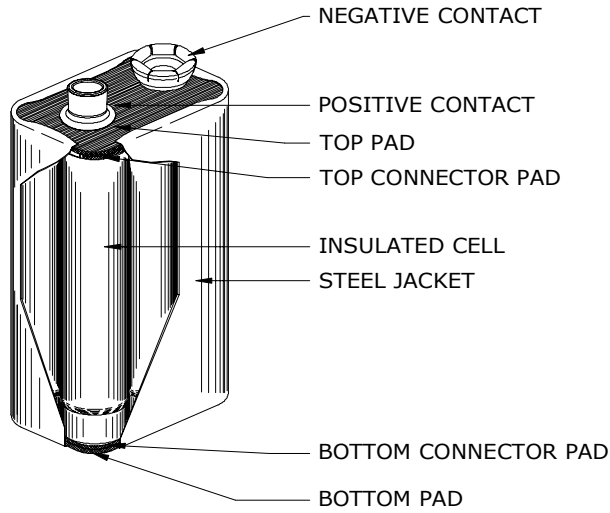
### Important Notice

This data sheet contains information specific to batteries manufactured at the time of its publication.

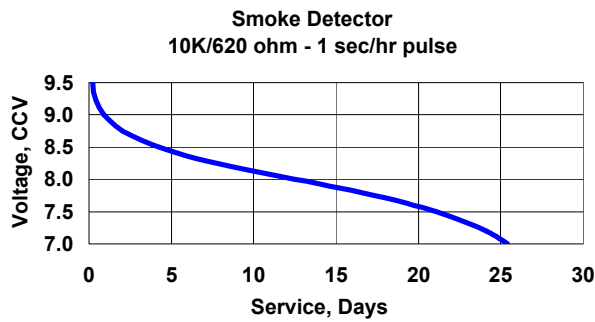
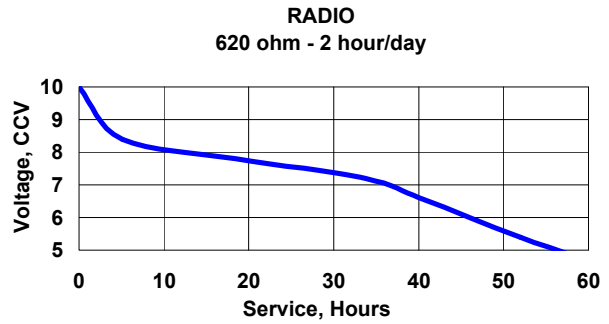
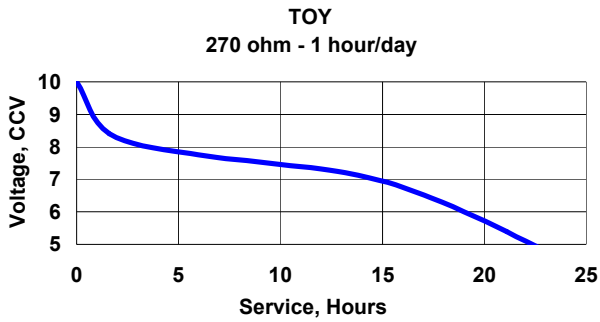
**Contents herein do not constitute a warranty.**

Copyright © Eveready Battery Co. - All rights reserved

**ENERGIZER NO. EN22**



**Industry Standard Tests @ 20° C**



**Important Notice**

This data sheet contains information specific to batteries manufactured at the time of its publication.

**Contents herein do not constitute a warranty.**

Copyright © Eveready Battery Co. - All rights reserved