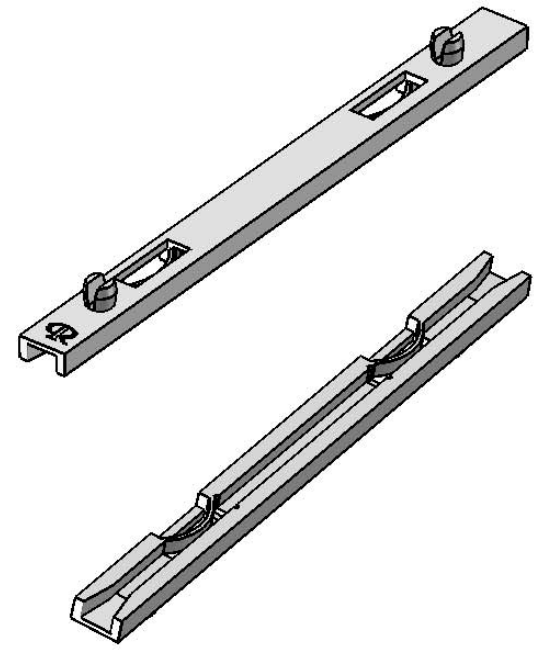
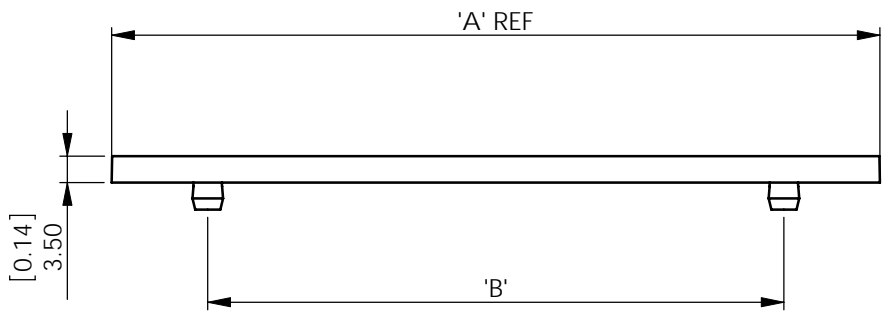
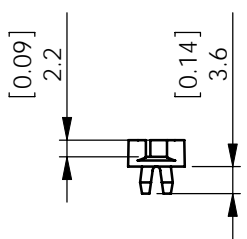
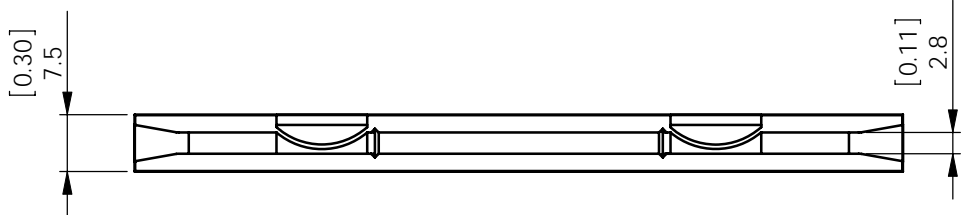
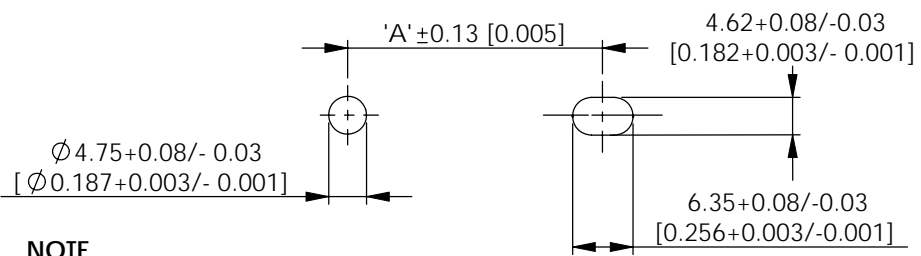


REV.	MODIFICATION.	DATE	DRN
01	SALES RELEASE	07/01/09	PH
02	CO2010624	14/04/09	SF



**PANEL DETAILS**



**NOTE**  
ACCEPTS PCB 0.8 TO 2.0 [0.032 TO 0.079]  
MOUNTS INTO PANEL 0.5 TO 2.0 [0.020 TO 0.079]

Part Number	Dimension 'A' ± 0.25 [.010] "REF"	Dimension 'B' ± 0.25 [.010]
MPCG-250	63.5 [2.50]	38.1 [1.50]
MPCG-300	76.2 [3.00]	50.8 [2.00]
MPCG-400	101.6 [4.00]	76.2 [3.00]
MPCG-550	139.7 [5.50]	114.3 [4.50]

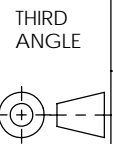
\*Available in 'Black' by special order. To order add (-BK) to part number.

ALTERNATE UNITS FOR REFERENCE ONLY

INFORMATION CONTAINED IN THIS DOCUMENT IS CONFIDENTIAL TO RICHCO INTERNATIONAL Co. Ltd. AND MAY NOT BE DISCLOSED OR REPRODUCED IN WHOLE OR PART WITHOUT THEIR WRITTEN CONSENT.



ALL DIMENSIONS IN mm  
GENERAL TOLERANCES ±0.25  
UNLESS OTHERWISE STATED  
1 DECIMAL PLACE ±  
2 DECIMAL PLACES ±  
ANGULAR ±1°



MATERIAL: NYLON 6/6 UL94 V-0 (RMS-19)		COLOUR: NATURAL	
DESCRIPTION: MULTI PANEL CARD GUIDE		PART No: SEE TABLE	
DRG No: 09-0019	NPR No: GB08-0023	SHEET SIZE A4	
DRN PH	DATE 07/01/09	CHKD TC	DATE 13/02/09
SCALE NTS	SHEET No. 1 OF 1		