

Type 12 Mild Steel Junction Box 1414 SC Series

Lift-Off Cover with Screws



Application

- Designed for use as instrument enclosures, electric, hydraulic or pneumatic control housings, electrical junction boxes or terminal wiring enclosures.
- Provides a degree of protection from falling dirt, dust, oil and water.

Standards

- UL 508 Type 12 and 13
- CSA Type 12 and 13
- Complies with
 - NEMA Type 12 and 13
 - JIC EGP-1-1967 unless marked¹
 - IEC 60529, IP54

Construction

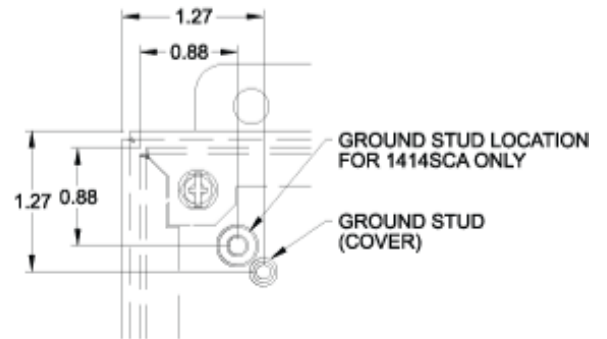
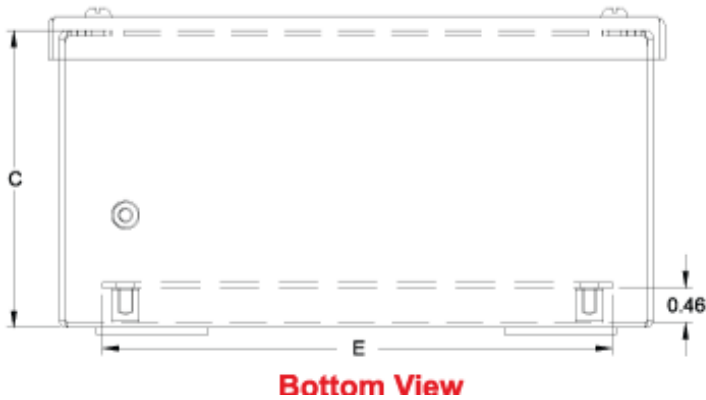
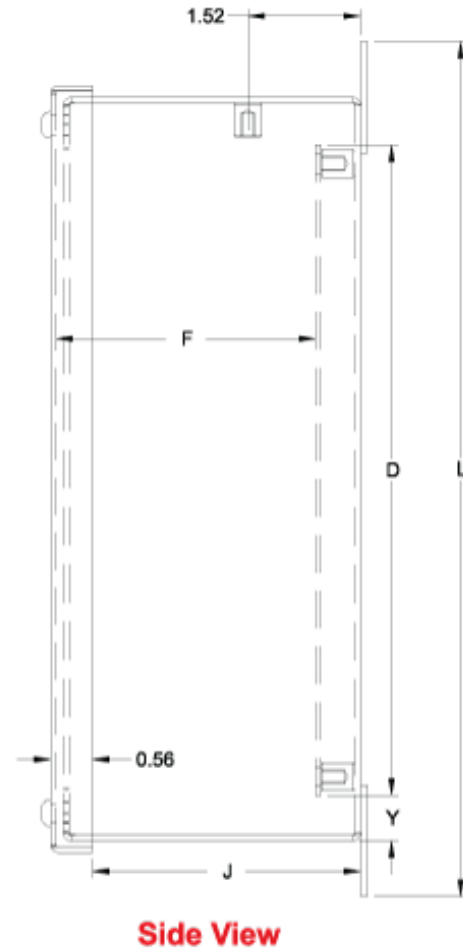
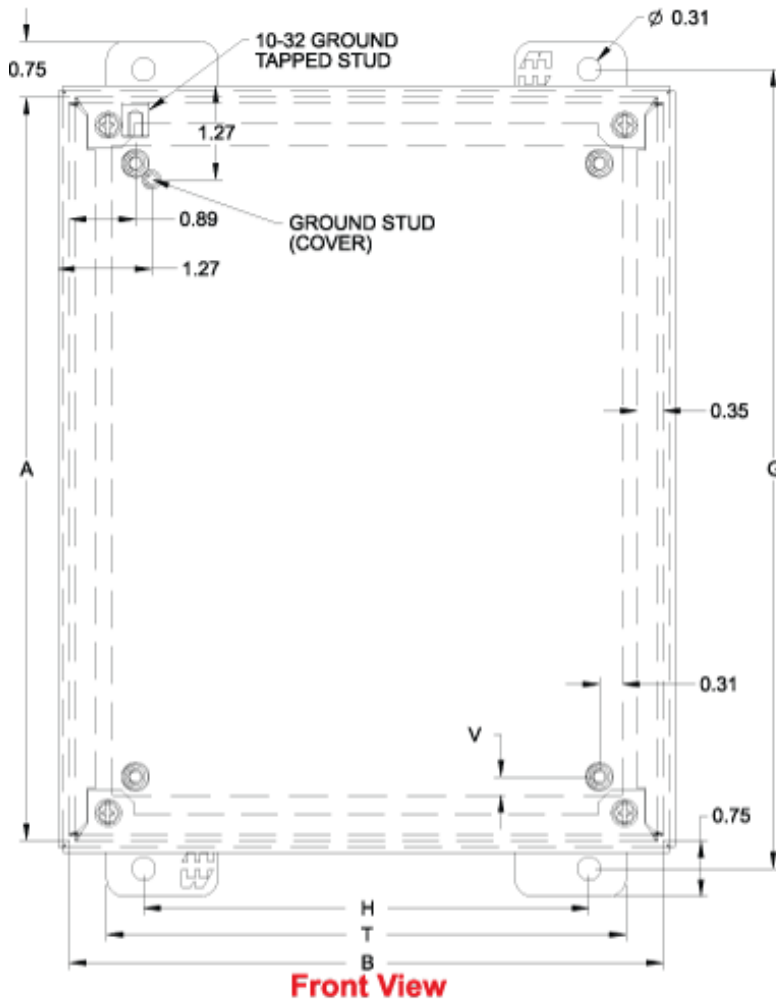
- Body formed from 16 gauge or 14 gauge steel. Covers are formed from 14 gauge steel.
- Smooth, continuously welded seams without knockouts, cutouts or holes. Welded brackets provide for enclosure mounting.
- Cover is secured with captive, plated steel screws, threaded into sealed wells.
- Oil resistant gaskets are permanently secured.
- Models larger than 4" x 4" include a removable 14 gauge inner panel.
- Internal threaded weld studs are provided for mounting inner panels.
- A bonding stud is provided on the door and a grounding stud is provided on the enclosure.

Finish

- Cover and enclosure are phosphatized and finished in ANSI 61 gray recoatable powder coating.
- Removable inner panel is finished in white powder coating.

Accessories

- Inner Panels
- Filtered Fans
- Type 1 Louvered Ventilating Plates
- Temperature Controls
- Ventilation
- Heaters
- Terminal Kit Assemblies
- Swing Panel Kit



Part No.	A	B	C	D	E	F	G	H	J	L	T	V	Y	Ship Wt. (lbs)
1414SCA ¹	4.00	4.00	3.00	-	-	-	4.75	2.00	2.64	5.50	3.00	-	-	2
1414SCC ¹	6.00	4.00	3.00	4.87	2.87	2.51	6.75	2.00	2.64	7.50	3.00	0.31	0.56	3
1414SCG	8.00	6.00	3.50	6.75	4.87	3.01	8.75	4.00	3.14	9.50	5.00	0.25	0.63	6
1414SCE	6.00	6.00	4.00	4.87	4.87	3.51	6.75	4.00	3.64	7.50	5.00	0.31	0.56	5
1414SCI	10.00	8.00	4.00	8.75	6.87	3.51	10.75	6.00	3.64	11.50	7.00	0.25	0.63	10
1414SCK	12.00	10.00	5.00	10.75	8.87	4.51	12.75	8.00	4.64	13.50	9.00	0.25	0.63	14
1414SCM6	14.00	12.00	6.00	12.75	10.87	5.51	14.75	10.00	5.64	15.50	11.00	0.25	0.63	19
1414SCO6	16.00	14.00	6.00	14.75	12.87	5.51	16.75	12.00	5.64	17.50	13.00	0.25	0.63	24
1414SCM8	14.00	12.00	8.00	12.75	10.87	7.51	14.75	10.00	7.64	15.50	11.00	0.25	0.63	22
1414SCO10	16.00	14.00	10.00	14.75	12.87	9.51	16.75	12.00	9.64	17.50	13.00	0.25	0.63	29

¹ Does not meet JIC Requirements

