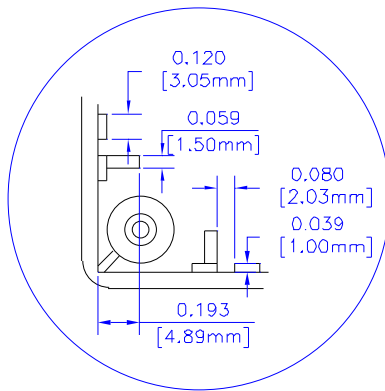
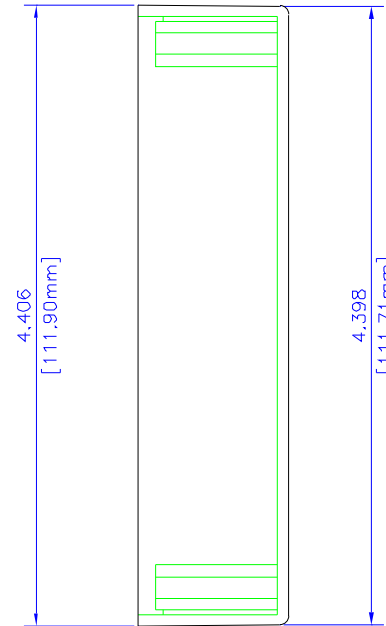
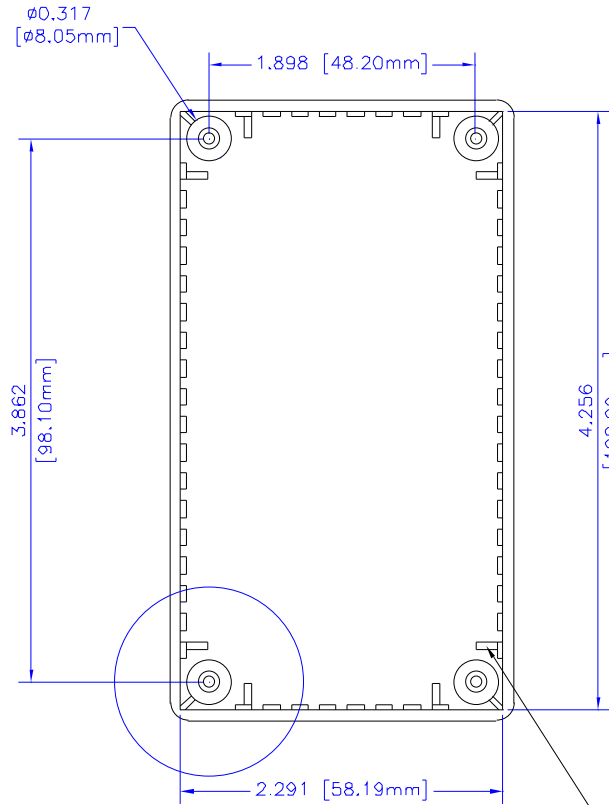
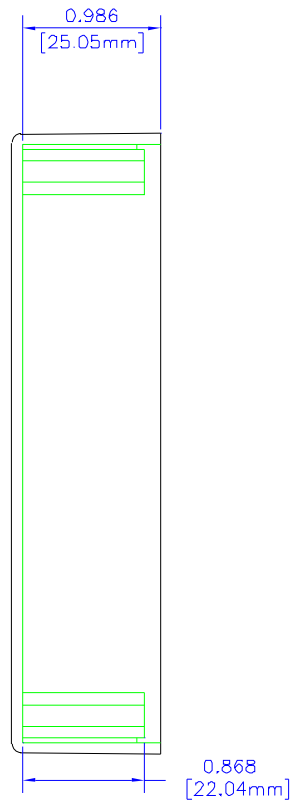


NOTES

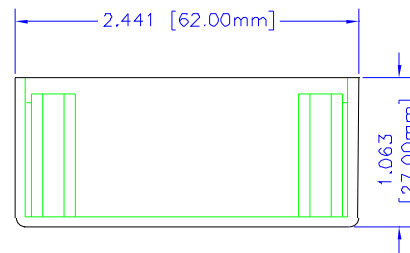
MATERIAL (ABS) FLAME RETARDANT UL94 VO MATERIAL WITH BRASS INSERTS IN CORNER POSTS.
 (STYRENE) IS NON-FLAME RETARDANT WITHOUT BRASS INSERTS.

PARTS (ABS) VERSION MACHINE SCREWS M3-0.5 x 10mm.
 REPLACEMENT PN 1591MS100 (100 / BAG). (STYRENE) VERSION SELF TAPPING #4 x 0.5".
 REPLACEMENT PN 1599TS100BK (100 / BAG).

COLORS (ABS) BLACK, GRAY, BLUE, & BEIGE, (STYRENE) BLACK ONLY.



THE HEIGHT OF THIS TAB IS 0.08" (2MM)



BOX

UNLESS OTHERWISE SPECIFIED
 DIMENSIONS ARE IN INCHES
 XX +/- .1
 XXX +/- .06
 XXXX +/- .015
 SUFF +/- .005
 ANGLES +/- .5 DEG.

NOTE
 HAMMOND CLAIMS PROPRIETARY RIGHTS TO THE MATERIAL ON THIS DRAWING. IT IS INTENDED TO BE USED AS A REFERENCE FOR ENGINEERING INFORMATION ONLY. THIS INFORMATION MAY NOT BE USED TO MANUFACTURE PRODUCT WITHOUT WRITTEN PERMISSION FROM HAMMOND MANUFACTURING.



**HAMMOND
 MANUFACTURING**

WEB: WWW.HAMMONDMFG.COM

TITLE		HAMMOND 1591 SERIES PLASTIC ENCLOSURE	
DRAWN BY	MJM	DATE	01/23/01
SCALE		PAGE	1 OF 2
PART NUMBER	1591BFL		

NOTES

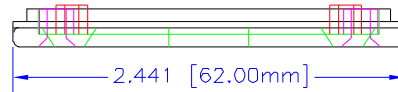
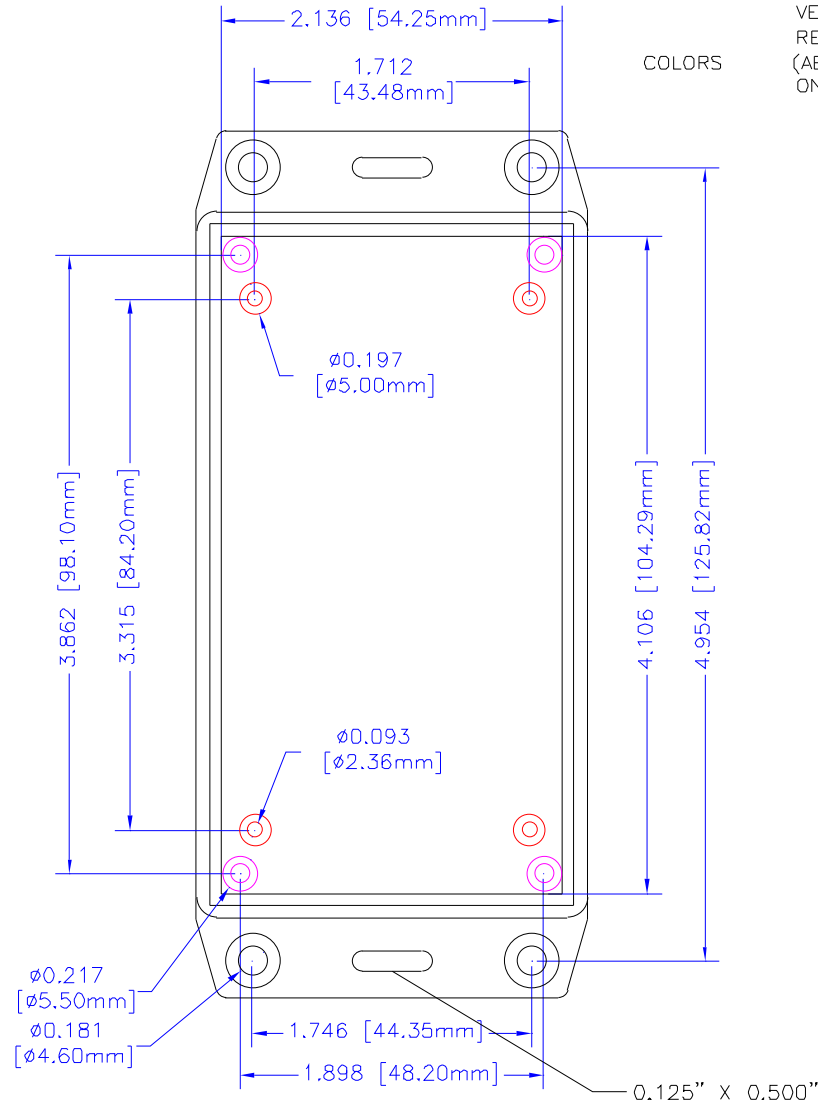
MATERIAL (ABS) FLAME RETARDANT UL94 VO MATERIAL WITH BRASS INSERTS IN CORNER POSTS.
(STYRENE) IS NON-FLAME RETARDANT WITHOUT BRASS INSERTS.

PARTS (ABS) VERSION MACHINE SCREWS M3-0.5 x 10mm.
REPLACEMENT PN 1591MS100 (100 / BAG). (STYRENE) VERSION SELF TAPPING #4 x 0.5".
REPLACEMENT PN 1599TS100BK (100 / BAG).

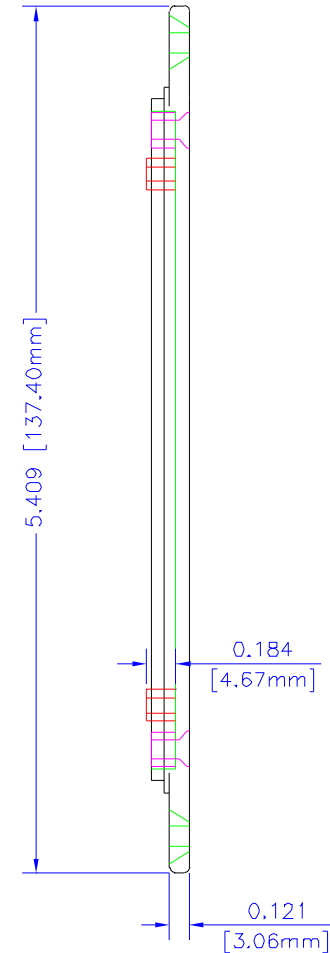
COLORS (ABS) BLACK, GRAY, BLUE, & BEIGE, (STYRENE) BLACK ONLY.

0.156
[3.96mm]

0.075
[1.91mm]



LID



UNLESS OTHERWISE SPECIFIED
DIMENSIONS ARE IN INCHES

X +/- .1
XX +/- .06
XXX +/- .015
CUTS +/- .005
ANGLES +/- .5 DEG.

NOTICE
HAMMOND CLAVE PROPRIETARY RIGHTS TO
THE MARKING ON THIS DRAWING. IT IS
INTENDED TO BE USED AS A REFERENCE FOR
ENGINEERING INFORMATION ONLY. THIS
INFORMATION MAY NOT BE USED TO
MANUFACTURE PRODUCT WITHOUT WRITTEN
PERMISSION FROM HAMMOND MANUFACTURING.



**HAMMOND
MANUFACTURING**

WEB: WWW.HAMMONDMFG.COM

TITLE		HAMMOND 1591 SERIES PLASTIC ENCLOSURE	
DRAWN BY	MJM	DATE	07/25/00
SCALE		PAGE	2 OF 2
PART NUMBER		1591 BFL	