

# General Purpose - ABS (1591 Series)

Plastic

Brass bushings for repetitive assembly and disassembly...

No "gate" marks on bottom...



Uses machine screws into brass bushings...

Lap joint construction...

## OTHER KEY FEATURES

- Electronic instrument enclosures, designed for mounting printed circuit boards.
- Integral card guides accept 1.5 mm (0.062") P.C. cards. 1591E includes a removable center brace.
- Two piece lap joint construction provides protection against access of dust and splashing water.
- Designed to meet IP54
- Molded from flame retardant ABS plastic (material carries a UL flammability rating of 94V-0).
- Lid is secured with M3 x 10 mm Philips machine screws, threaded into integral brass bushings.

## ACCESSORIES



### P.C. Board Card Adaptors

Allows horizontal mounting of P.C. board(s). See "Accessories Section" for full details!  
**1591Z6** - Package of 6  
**1591Z50** - Package of 50  
**1591Z100** - Package of 100



### Replacement Screws

Machine screws, nickel plated, M3 - 0.5 x 10mm  
**1591MS100** - Package of 100



### Flange Kits

Mount to either the rear (using glue) or can be attached to the lid using existing lid screws and holes. See "Accessories Section" for full details!



### Clear Lids

Stocked in prototype quantities - made of clear, flame retardant polycarbonate. Lid ONLY.  
**1591LC** - use with 1591L & M  
**1591AC** - use with 1591A  
**1591BC** - use with 1591B  
**1591CC** - use with 1591C  
**1591DC** - use with 1591D  
**1591EC** - use with 1591E  
**1591GC** - use with 1591G  
**1591HC** - use with 1591H  
**1591SC** - use with 1591S  
**1591TC** - use with 1591T  
**1591UC** - use with 1591U  
**1591VC** - use with 1591V

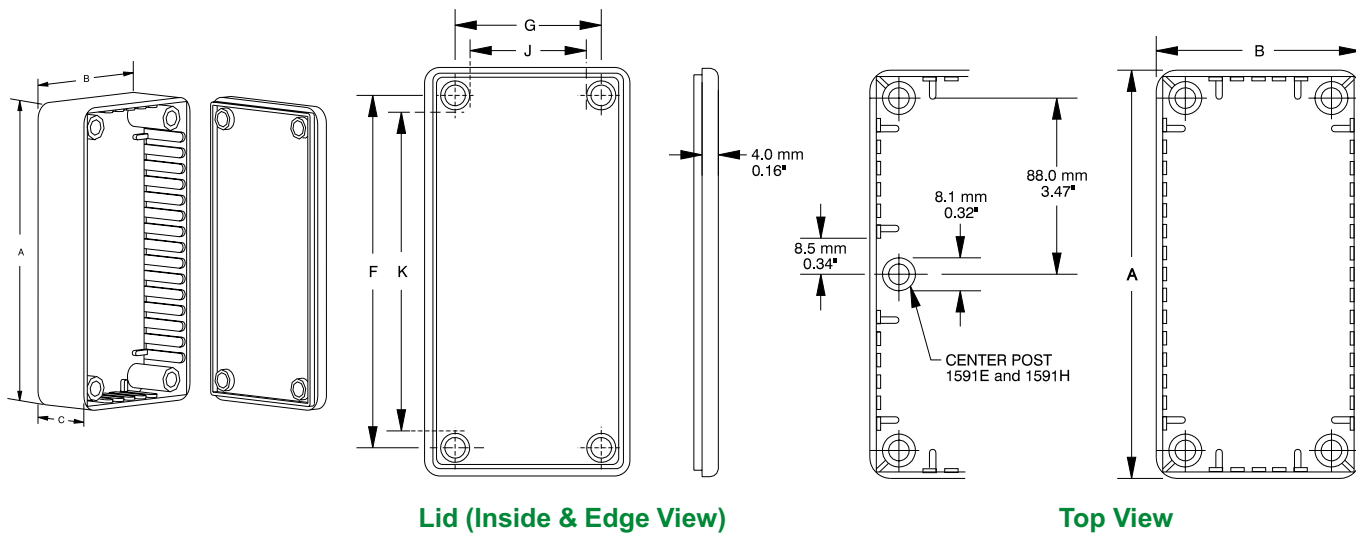


### Belt or Pocket Clip

Molded from tough nylon, includes 2 nylon screws and mounting template.  
**1599CLIP** - Black  
**1599CLIPGY** - Grey

# General Purpose - ABS (1591 Series)

Plastic



Lid (Inside & Edge View)

Top View

Part Number					Units	Dimensions					P.C. Card Clearance	
Beige	Black	Blue	Grey	Black Shielded		A	B	C (No Lid)	F	G	J	K
1591MBG	1591MBK	1591MBU	1591MGY	1591RMBK	inch mm	3.3 85	2.2 56	0.8 21	2.8 71	1.7 42	1.3 34	2.5 63
1591LBG	1591LBK	1591LBU	1591LGY	1591RLBK	inch mm	3.3 85	2.2 56	1.4 35	2.9 73	1.7 44	1.4 35	2.5 64
1591ABG	1591ABK	1591ABU	1591AGY	1591RABK	inch mm	3.9 100	2.0 50	0.8 21	3.4 86	1.4 36	1.1 29	3.1 79
1591SBG	1591SBK	1591SBU	1591SGY	1591RSBK	inch mm	4.3 110	3.2 82	1.6 40	3.8 98	2.7 70	2.4 61	3.5 89
1591BBG	1591BBK	1591BBU	1591BGY	1591RBBK	inch mm	4.4 112	2.4 62	1.1 27	3.9 98	1.9 48	1.6 41	3.5 91
1591CBG	1591CBK	1591CBU	1591CGY	1591RCBK	inch mm	4.7 120	2.6 65	1.4 36	4.2 106	2.0 51	1.7 44	3.9 99
1591TBG	1591TBK	1591TBU	1591TGY	1591RTBK	inch mm	4.7 120	3.2 80	2.2 55	4.2 106	2.6 66	2.3 59	3.9 99
1591UBG	1591UBK	1591UBU	1591UGY	1591RUBK	inch mm	4.7 120	4.7 120	2.2 55	4.2 106	4.2 106	3.9 99	3.9 99
1591VBG	1591VBK	1591VBU	1591VGY	1591RVBK	inch mm	4.7 120	4.7 120	3.5 90	4.2 106	4.2 106	3.9 99	3.9 99
1591GBG	1591GBK	1591GBU	1591GGY	1591RGBK	inch mm	4.8 121	3.7 94	1.2 30	4.2 106	3.1 79	2.8 73	3.9 100
1591DBG	1591DBK	1591DBU	1591DGY	1591RDBK	inch mm	5.9 150	3.2 80	1.8 46	5.4 136	2.6 66	2.3 59	5.0 129
1591HBG	1591HBK	1591HBU	1591HGY	1591RHBK	inch mm	6.5 165	2.8 71	1.0 25	6.0 153	2.2 56	1.9 50	5.6 144
1591EBG	1591EBK	1591EBU	1591EGY	1591REBK	inch mm	7.5 191	4.3 110	2.2 57	6.9 176	3.8 96	3.5 89	6.6 170

NOTES: - Assembled height = dimension "C" + 0.16" (4.0 mm)  
 - Average wall thickness: 0.06" (1.5 mm)

For detailed drawings, CAD files and color photos visit our website at: [www.hammondmg.com](http://www.hammondmg.com)

