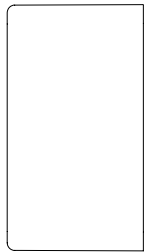
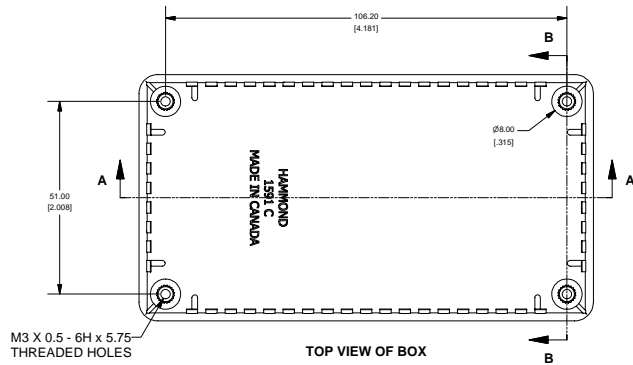


# 1591C

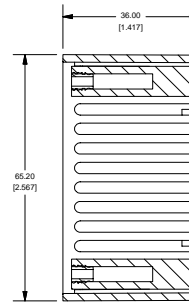


SIDE VIEW OF BOX

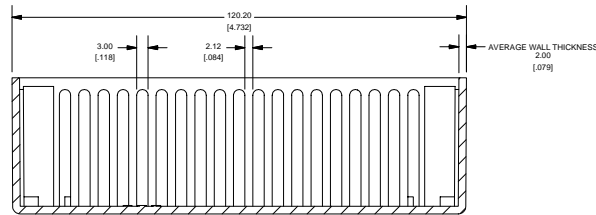


TOP VIEW OF BOX

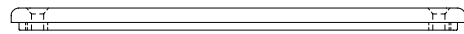
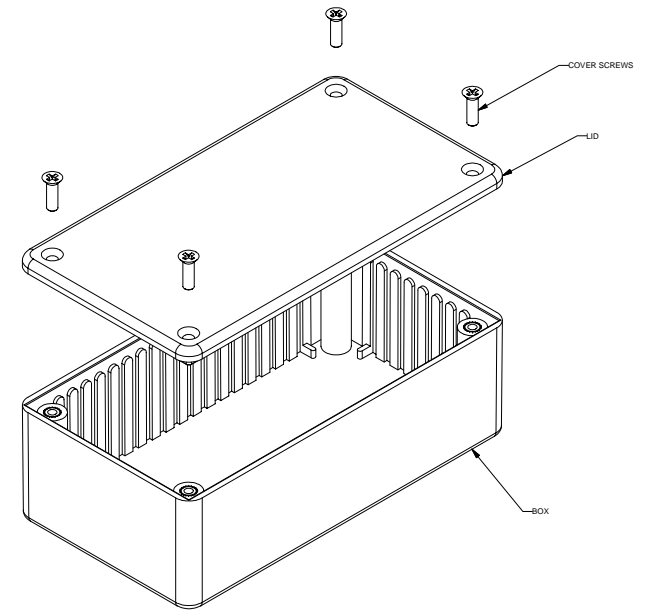
M3 X 0.5 - 6H x 5.75-  
THREADED HOLES



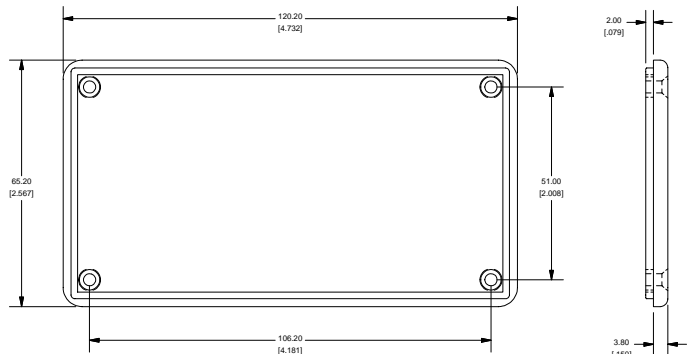
SECTION B-B  
SCALE 1 : 1



SECTION A-A  
SCALE 1 : 1

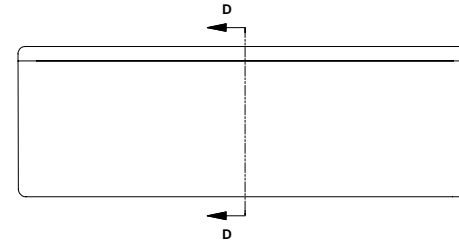


SIDE OF LID

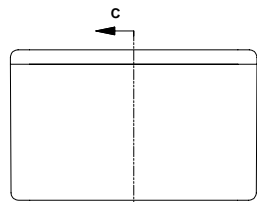
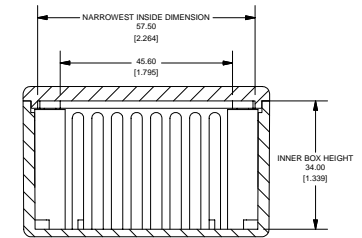


BOTTOM OF LID

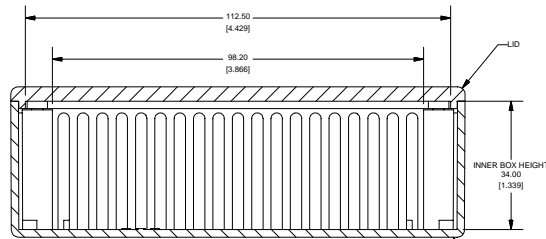
SIDE OF LID



SECTION D-D  
SCALE 1 : 1



END VIEW OF ASSEMBLY



SECTION C-C  
SCALE 1 : 1

PART NUMBERS		
1591C Enclosures		
Material	Colour	Part Number
ABS	Beige	1591CBG
	Black	1591CBK
	Blue	1591CBU
	Grey	1591CBY
	Black Shielded	1591RCBK
GP ABS	Black	1591CSBK
Translucent Polycarbonate	Ice Blue	1591CTBU
	IR Red	1591CTRO
	Crystal Clear	1591CTCL
Accessories		
Description	Part Number	
PC Board Card Adapters	See Accessories Section	
Used with ABS and Translucent Polycarbonate Enclosures	Flange Kits	See Accessories Section
	Replacement Screws, nickel plated M3 - 0.5 x 10mm, Pack of 100	1591MS100
	Belt/Pocket Clip, w/ nylon screws (insulated to avoid interference) and mounting template	1591MS100BK (Black) 1599CLIP - Black 1599CLIPGY - Grey
	Clear Lids - clear, flame retardant polycarbonate - Lid ONLY	1591CC
	PC Board Card Adapters	See Accessories Section
Used with GP ABS Enclosure	Flange Kits	See Accessories Section
	Belt/Pocket Clip, w/ nylon screws (insulated to avoid interference) and mounting template	1599CLIP - Black 1599CLIPGY - Grey
	Replacement Screws, self tapping, black oxide, #4 x 0.5, Pack of 100	1591TS100BK
	Clear Lids - clear, flame retardant polycarbonate - Lid ONLY	1591CC
	Required Torque on Fasteners (no lubrication)	M3 - 0.5 x 10mm Screws 30-40 cN*m #4 x 0.5 Screws 30-40 cN*m