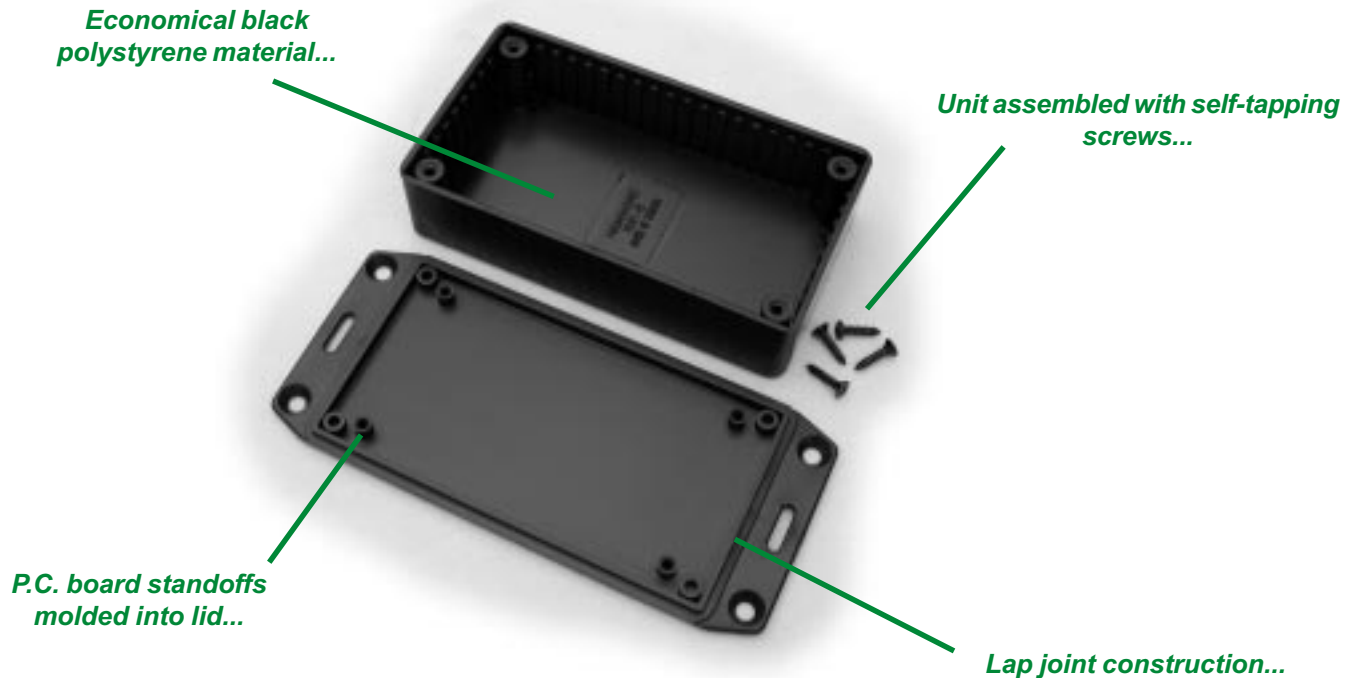


# Flanged Lid Version - Polystyrene (1591 Series)

Plastic



## OTHER KEY FEATURES

- Electronic instrument enclosures, designed for mounting printed circuit boards.
- Integral card guides accept 1.5 mm (0.062") P.C. cards. 1591E includes a removable center brace.
- Two piece lap joint construction provides protection against access of dust and splashing water.
- Designed to meet IP54
- Molded from economical black polystyrene.
- Lid is secured with self-tapping #4 x 0.5" Philips screws.

## ACCESSORIES



### P.C. Board Card Adaptors

Allows horizontal mounting of P.C. board(s). See "Accessories Section" for full details!

- 1591Z6** - Package of 6
- 1591Z50** - Package of 50
- 1591Z100** - Package of 100



### Replacement Screws

Self-tapping type, black anodized, #4 x 0.5"

- 1591TS100BK** - Package of 100

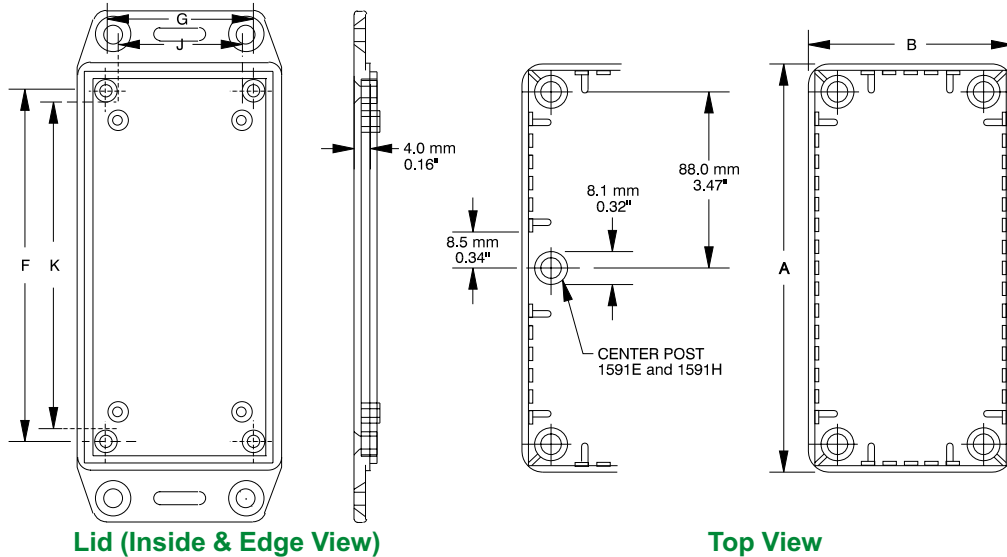


### P.C. Board Screws

Self-tapping type, used for bosses in the 1591 lid for P.C. board installation. #4 x 1/4" (6.4 mm)

- 1593ATS50** - Package of 50
- 1593ATS100** - Package of 100

# Flanged Lid Version - Polystyrene (1591 Series)



Plastic

Part Number	Units	Dimensions					P.C. Card Clearance	
		A	B	C (No Lid)	F	G	J	K
<b>1591MSFLBK</b>	inch mm	3.3 85	2.2 56	0.8 21	2.8 71	1.7 42	1.3 34	2.5 63
<b>1591LSFLBK</b>	inch mm	3.3 85	2.2 56	1.4 35	2.9 73	1.7 44	1.4 35	2.5 64
<b>1591ASFLBK</b>	inch mm	3.9 100	2.0 50	0.8 21	3.4 86	1.4 36	1.1 29	3.1 79
<b>1591SSFLBK</b>	inch mm	4.3 110	3.2 82	1.6 40	3.8 98	2.7 70	2.4 61	3.5 89
<b>1591BSFLBK</b>	inch mm	4.4 112	2.4 62	1.1 27	3.9 98	1.9 48	1.6 41	3.5 91
<b>1591CSFLBK</b>	inch mm	4.7 120	2.6 65	1.4 36	4.2 106	2.0 51	1.7 44	3.9 99
<b>1591TSFLBK</b>	inch mm	4.7 120	3.2 80	2.2 55	4.2 106	2.6 66	2.3 59	3.9 99
<b>1591USFLBK</b>	inch mm	4.7 120	4.7 120	2.2 55	4.2 106	4.2 106	3.9 99	3.9 99
<b>1591VSFLBK</b>	inch mm	4.7 120	4.7 120	3.5 90	4.2 106	4.2 106	3.9 99	3.9 99
<b>1591GSFLBK</b>	inch mm	4.8 121	3.7 94	1.2 30	4.2 106	3.1 79	2.8 73	3.9 100
<b>1591DSFLBK</b>	inch mm	5.9 150	3.2 80	1.8 46	5.4 136	2.6 66	2.3 59	5.0 129
<b>1591HSFLBK</b>	inch mm	6.5 165	2.8 71	1.0 25	6.0 153	2.2 56	1.9 50	5.6 144
<b>1591ESFLBK</b>	inch mm	7.5 191	4.3 110	2.2 57	6.9 176	3.8 96	3.5 89	6.6 170

**NOTES:** - Assembled height = dimension "C" + 0.16" (4.0 mm)  
 - Average wall thickness: 0.08" (2.0 mm)

For detailed drawings, CAD files and color photos visit our website at:  
[www.hammondmg.com](http://www.hammondmg.com)

