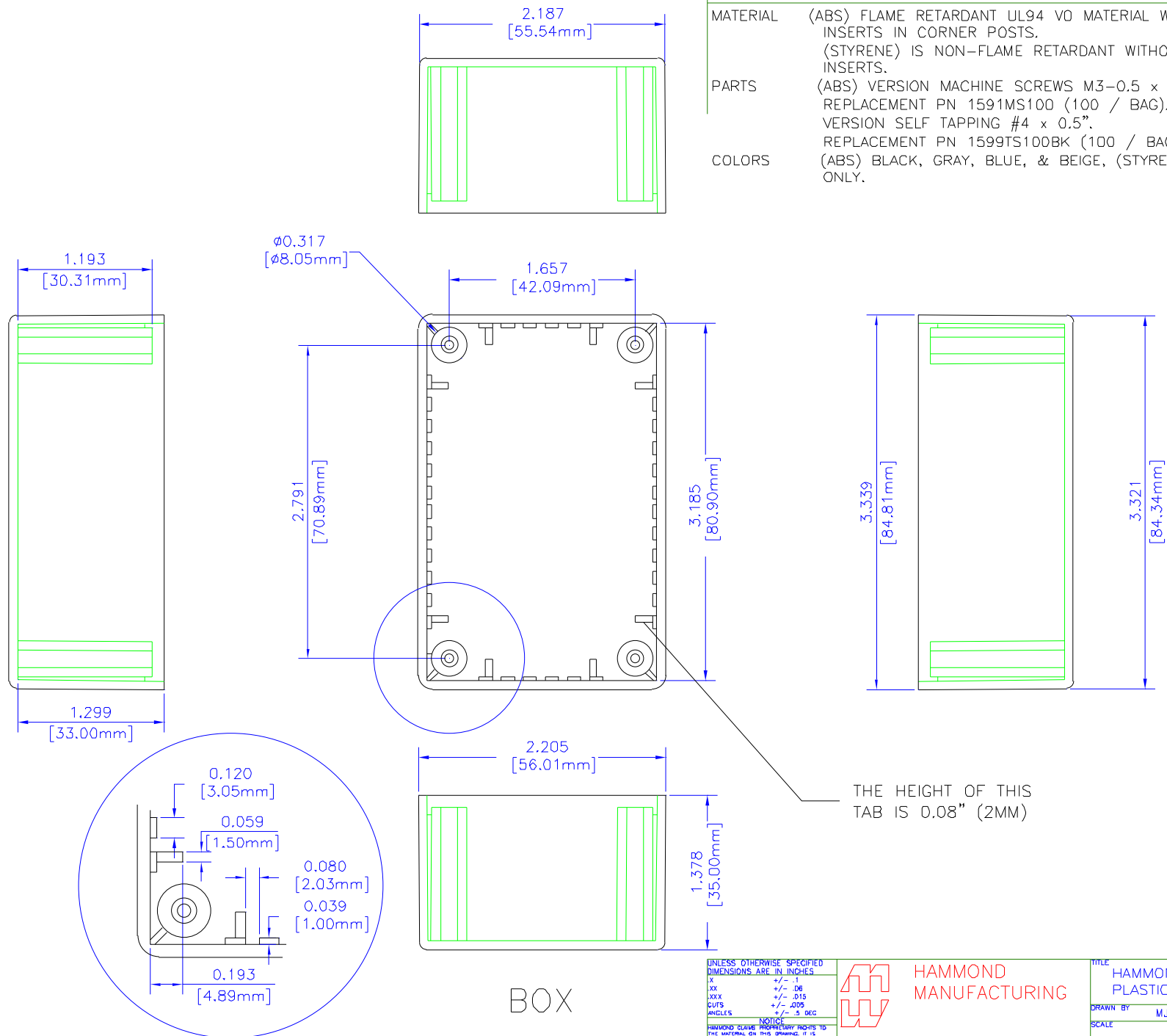


NOTES

- MATERIAL** (ABS) FLAME RETARDANT UL94 VO MATERIAL WITH BRASS INSERTS IN CORNER POSTS.
(STYRENE) IS NON-FLAME RETARDANT WITHOUT BRASS INSERTS.
- PARTS** (ABS) VERSION MACHINE SCREWS M3-0.5 x 10mm.
REPLACEMENT PN 1591MS100 (100 / BAG). (STYRENE) VERSION SELF TAPPING #4 x 0.5".
REPLACEMENT PN 1599TS100BK (100 / BAG).
- COLORS** (ABS) BLACK, GRAY, BLUE, & BEIGE, (STYRENE) BLACK ONLY.



UNLESS OTHERWISE SPECIFIED
DIMENSIONS ARE IN INCHES

X	+/- .1
XX	+/- .06
XXX	+/- .015
CUTS	+/- .005
ANGLES	+/- .5 DEG

NOTICE
HAMMOND OWNS PROPRIETARY RIGHTS TO THE MATERIALS ON THIS DRAWING. IT IS INTENDED TO BE USED AS A REFERENCE FOR ENGINEERING INFORMATION ONLY. THIS INFORMATION MAY NOT BE USED TO MANUFACTURE PRODUCT WITHOUT WRITTEN PERMISSION FROM HAMMOND MANUFACTURING.



**HAMMOND
MANUFACTURING**

WEB: WWW.HAMMONDMFG.COM

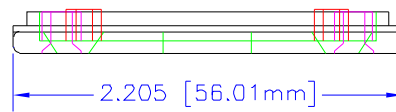
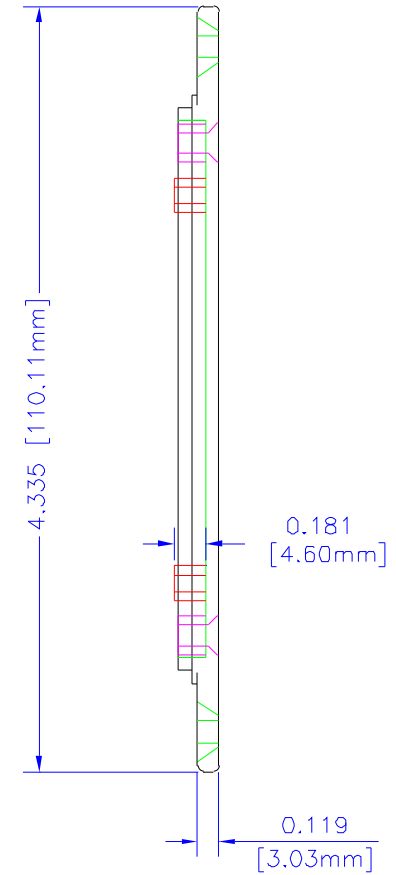
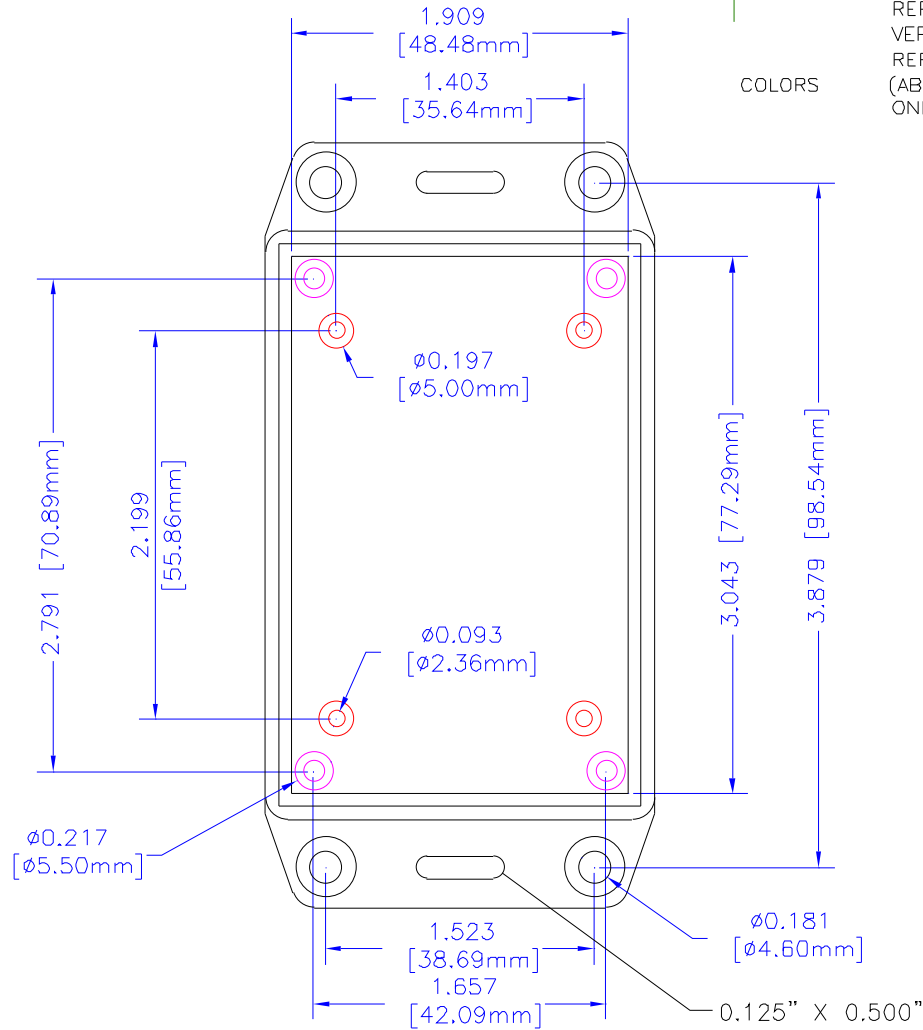
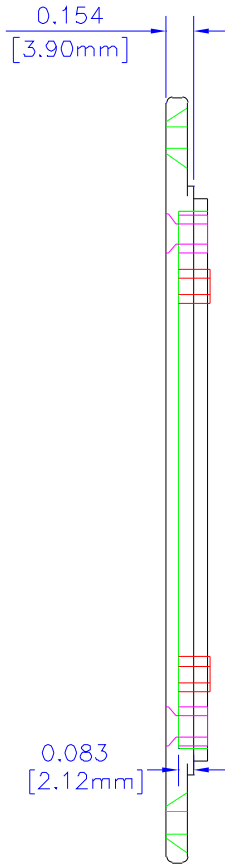
TITLE	
HAMMOND 1591 SERIES PLASTIC ENCLOSURE	
DRAWN BY	DATE
MJM	01/25/01
SCALE	PAGE
	1 OF 2
PART NUMBER	
1591LFL	

NOTES

MATERIAL (ABS) FLAME RETARDANT UL94 VO MATERIAL WITH BRASS INSERTS IN CORNER POSTS.
(STYRENE) IS NON-FLAME RETARDANT WITHOUT BRASS INSERTS.

PARTS (ABS) VERSION MACHINE SCREWS M3-0.5 x 10mm. REPLACEMENT PN 1591MS100 (100 / BAG). (STYRENE) VERSION SELF TAPPING #4 x 0.5". REPLACEMENT PN 1599TS100BK (100 / BAG).

COLORS (ABS) BLACK, GRAY, BLUE, & BEIGE, (STYRENE) BLACK ONLY.



LID

UNLESS OTHERWISE SPECIFIED
DIMENSIONS ARE IN INCHES
1X +/- .1
.XX +/- .06
.XXX +/- .015
DITS +/- .009
ANGLES +/- .5 DEG
NOTES:
HAMMOND CLAIMS PROPRIETARY RIGHTS TO
THE MATERIAL ON THIS DRAWING. IT IS
INTENDED TO BE USED AS A REFERENCE FOR
ENGINEERING INFORMATION ONLY. THIS
INFORMATION MAY NOT BE USED TO
MANUFACTURE PRODUCT WITHOUT WRITTEN
PERMISSION FROM HAMMOND MANUFACTURING.



**HAMMOND
MANUFACTURING**

WEB: WWW.HAMMONDMFG.COM

TITLE		HAMMOND 1591 SERIES PLASTIC ENCLOSURE	
DRAWN BY	MJM	DATE	01/25/01
SCALE		PAGE	2 OF 2
PART NUMBER	1591LFL		