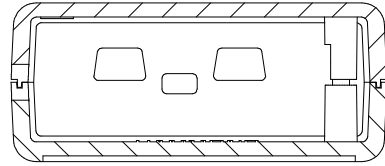
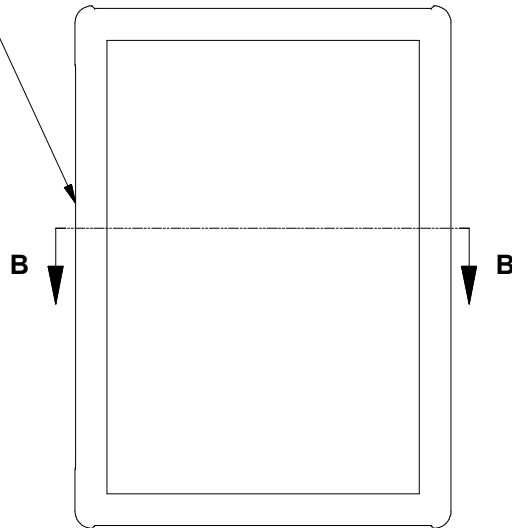
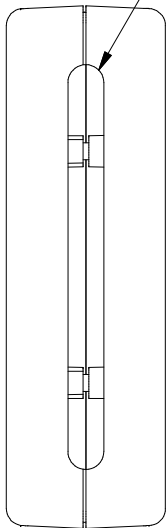


Enclosures can be Factory Modified ( Milling, Drilling, Printing etc.)  
 Contact Factory [mjm@hammondmfg.com](mailto:mjm@hammondmfg.com) for quotes

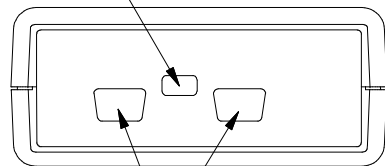


I/O PORT ACCESS **SECTION B-B**

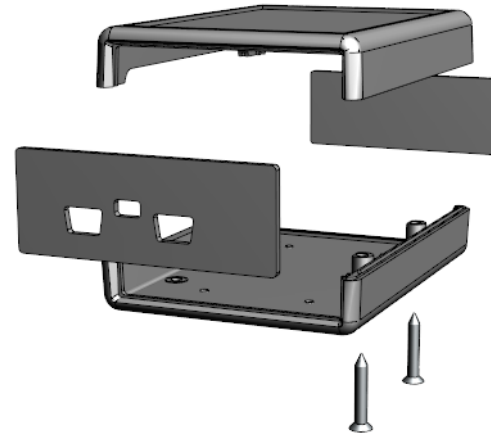


**ASSEMBLY - VIEW FROM TOP SIDE**

RESET BUTTON  
ACCESS



MINI USB  
INPUT (2X)



NOTE: ENCLOSURE SUPPLIED WITH 4 COVER SCREWS,  
 ONLY 2 COVER SCREWS REQUIRED FOR ASSEMBLY

NOTE: 1593FREE2 ENCLOSURE IS BASED ON HAMMOND STANDARD 1593L  
 PLEASE SEE 1593L DRAWING FOR STANDARD ENCLOSURE SPECIFICATIONS

**NOTE**

Purchased assembly includes top and bottom cover, front and rear end panels, 4 cover screws, and 5 rubber feet (P.C. Board not included)  
 Enclosure molded from ABS Plastic.

**PART NUMBERS**

1593HAMFREE2 Enclosure	
Black Enclosure	1593HAMFREE2BK
Grey Enclosure	1593HAMFREE2GY
Translucent Blue Enclosure	1593HAMFREE2TBU



Dimensions:  
 mm  
 [inches]

[www.hammondmfg.com](http://www.hammondmfg.com)