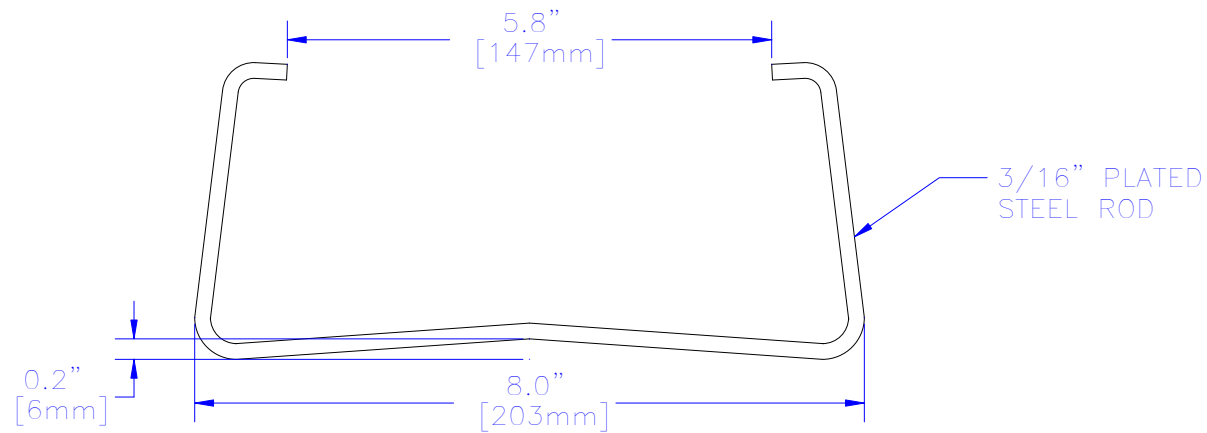
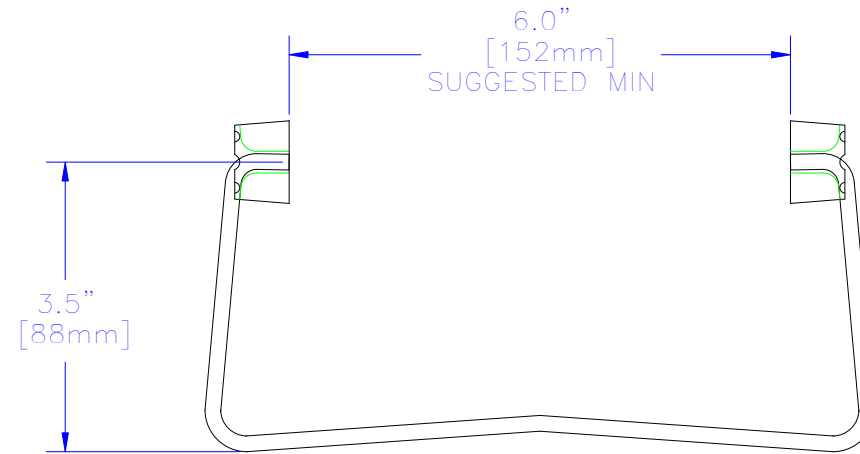
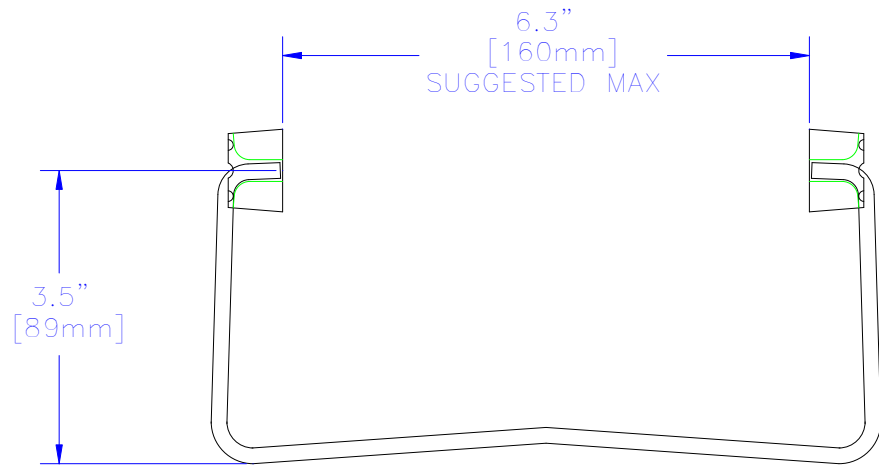


NOTES

PLATED STEEL BAIL TO BE USED WITH 1598BB, C, E, F, AND G, BOXES.
 COMES WITH TWO PLASTIC POSITION LOCKING BRACKETS.
 COMES WITH 4 SELF TAPPING 0.386" LONG SCREWS.



BAIL IN ITS UNSTRETCHED STATE

For the best fit print on legal size paper.

THIS DRAWING IS PROPRIETARY INFORMATION OF HAMMOND MFG. CO. LTD. NOT TO BE USED WITHOUT EXPRESSED WRITTEN PERMISSION OF HAMMOND MFG. CO. LTD.

△	N/A	RELEASE	----	05.05.03	MJM
Re	EC	Description		Dat	B

Unless otherwise specified dimensions are in inches
 Tolerances are:
 .X ± .1
 .XX ± .06
 .XXX ± .030
 .XXXX ± .0015
 Holes ± .0010
 Angles ± .5°

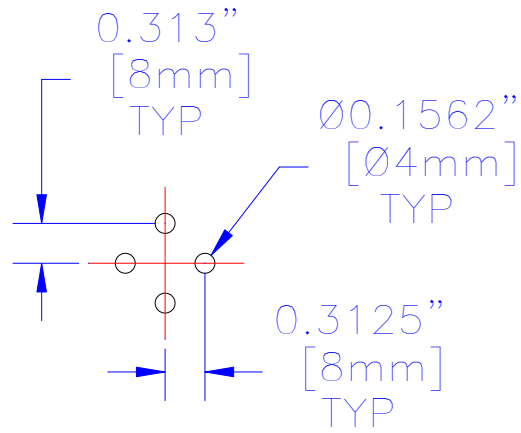


Dw	M. MERCER
Dat	05.05.03
Ch	---
Mat	SEE NOTES
Sheet	1 of 2

HAMMOND MANUFACTURING CO. LTD.
 Electronics Group, Waterloo, Ont. - Cheektowaga, NY

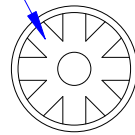
HAMMOND 1598 SERIES BAIL

Part# 1598TH1. Dwg 1598TH1/A

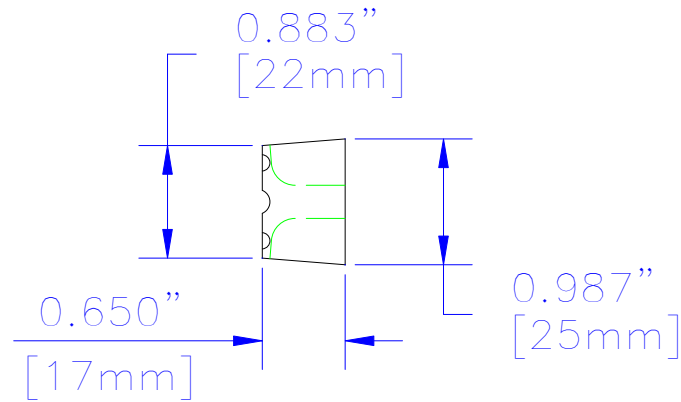


MOUNTING HOLE
TEMPLATE

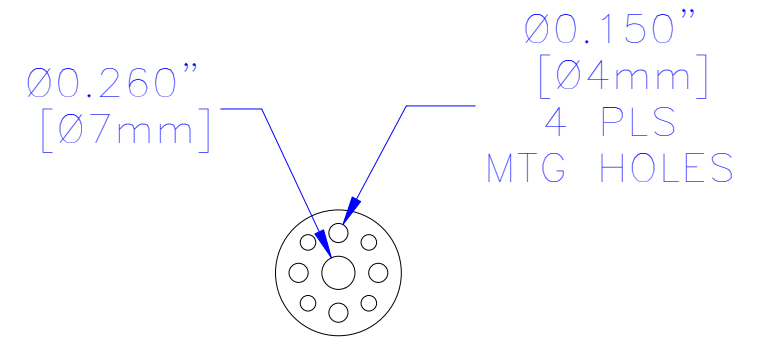
8 LOCKING POSITIONS
FOR THE BAIL



FAC



SIDE



REA

For the best fit print
on legal size paper.

THIS DRAWING IS PROPRIETARY INFORMATION
OF HAMMOND MFG. CO. LTD. NOT TO BE USED
WITHOUT EXPRESSED WRITTEN PERMISSION OF
HAMMOND MFG. CO. LTD.

△	N/A	RELEASE	----	05 05 03	MJM
Re	EC	Description		Dat	B

Unless otherwise spec'd
dimensions are in inches
Tolerances are:
.X ± .1
.XX ± .06
.XXX ± .030
.XXXX ± .0015
Holes ± .0010
Angles ± .5°



Dw	M. MERCER
Dat	05 05 03
Ch	---
Mat'	SEE NOTES
Sheet	1 of 1

	HAMMOND MANUFACTURING CO. LTD. Electronics Group, Waterloo, Ont. - Cheektowaga, NY	
	HAMMOND 1598 SERIES BAIL	
Part# 1598TH1.	Dwg 1598TH1/A	