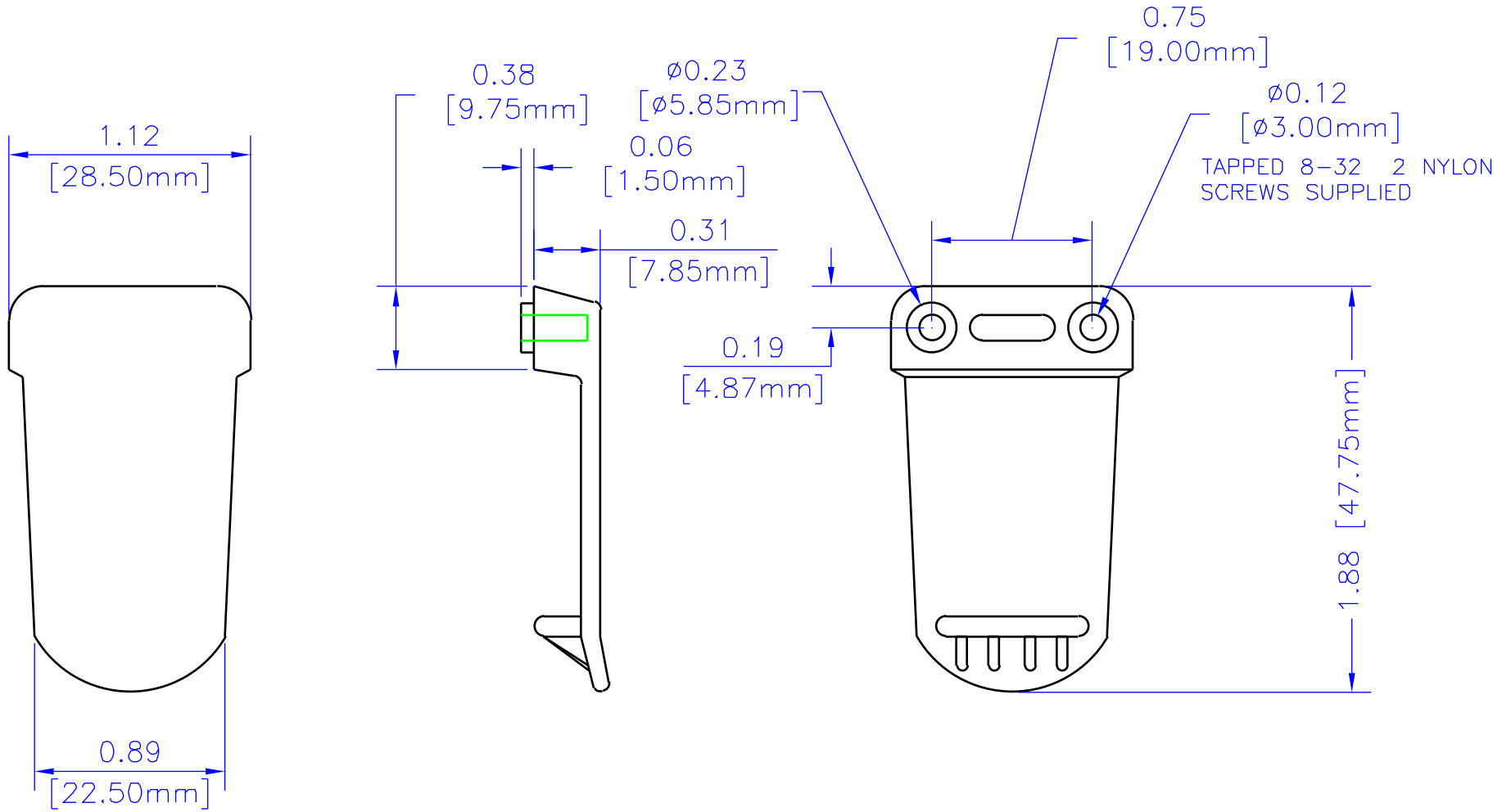


REV	DESCRIPTION	DATE

NOTES

MATERIAL NYLON
PARTS TWO NYLON SCREWS & CLIP
COLORS BLACK OR GRAY (ADD GY TO END OF PART NUMBER)



UNLESS OTHERWISE SPECIFIED
DIMENSIONS ARE IN INCHES
X +/- .1
XX +/- .02
XXX +/- .015
CUTS +/- .005
ANGLES +/- 5 DEG

HAMMOND GRANTS PROPRIETARY RIGHTS TO THE MATERIAL ON THIS DRAWING. IT IS INTENDED TO BE USED AS A REFERENCE FOR ENGINEERING INFORMATION ONLY. INFORMATION MAY NOT BE USED TO MANUFACTURE PRODUCT WITHOUT WRITTEN PERMISSION FROM HAMMOND MANUFACTURING.

HAMMOND MANUFACTURING

WEB: WWW.HAMMONDMFG.COM

TITLE		HAMMOND 1599 SERIES BELT CLIP	
DRAWN BY	MJM	DATE	10/16/00
SCALE		PAGE	1 OF 1
PART NUMBER		1599CLIP	