

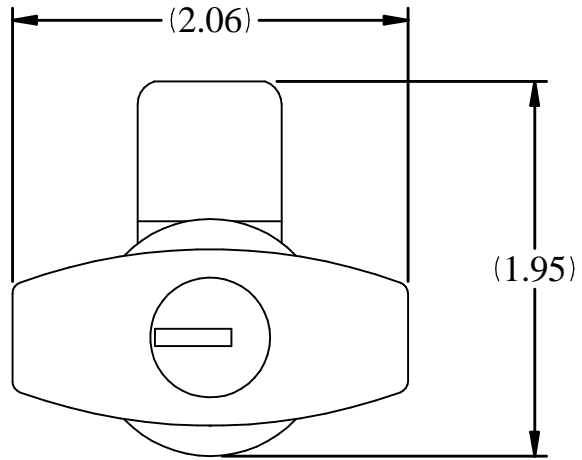
PART No. EHTL

for more information visit

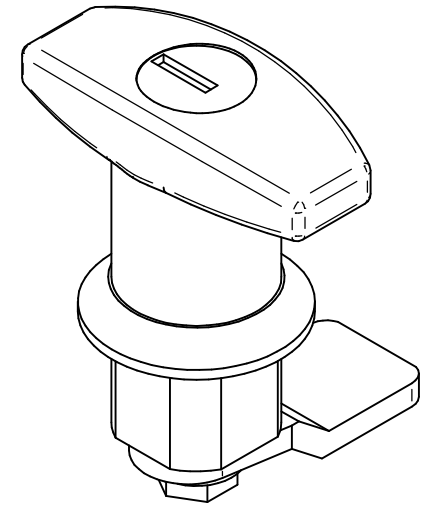
www.hammondmfg.com

Data subject to change without notice

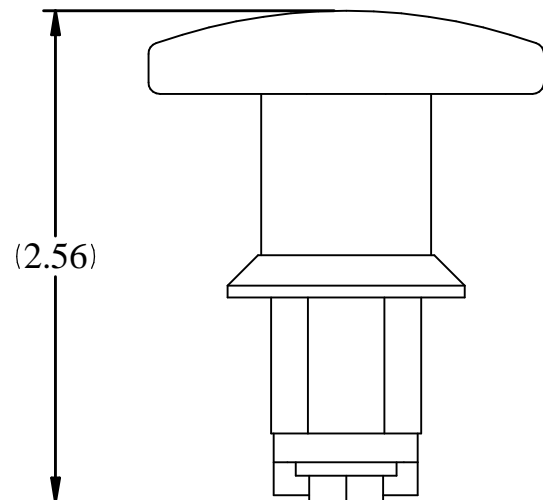
Isometric drawing Not to Scale



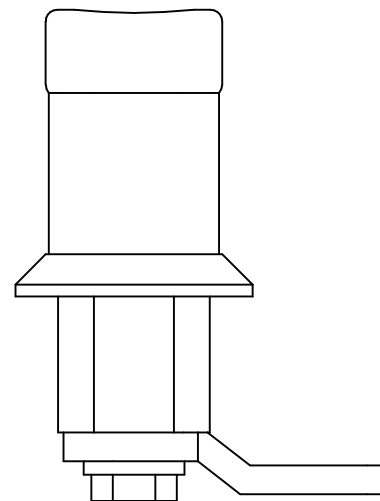
TOP VIEW



ISOMETRIC VIEW



FRONT VIEW



SIDE VIEW