

# SPRING PROBES

## TECHNICAL SUMMARY

Plunger: Beryllium Copper, rhodium plated  
 Barrel: Brass, gold plated  
 Spring: Stainless steel  
 Sleeve: Brass, Gold plated  
 Full Travel: 4.20mm (P25-XX22/23)

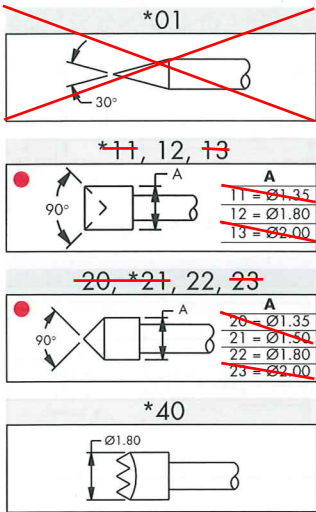
Spring Force: 3.50mm (P25-XX24)  
 3.00mm (P25-XX25)  
 1.47N @ 4.20mm (P25-XX22/23)  
 1.47N @ 3.50mm (P25-XX24)  
 1.47N @ 3.00mm (P25-XX25)  
 Current Rating: 3 AMPS  
 Contact Resistance: 50 Milliohms  
 Recommended Mounting Hole:  $\varnothing 1.70 - \varnothing 1.75$ mm

**TWO PART  
 SPRING PROBES**  
 2.54mm (0.100") CENTRES

## PROBE HEAD

See Page R4-R5 for additional head styles

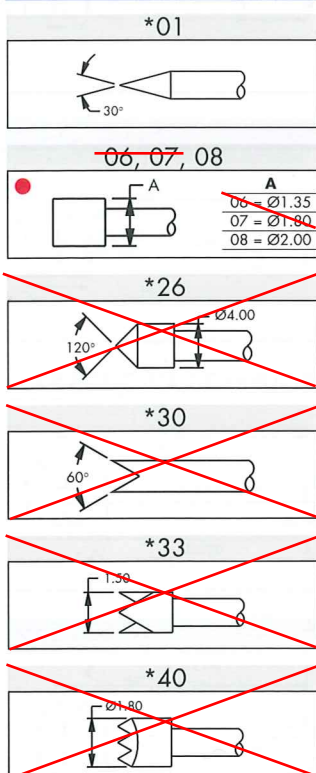
### ORDER CODE



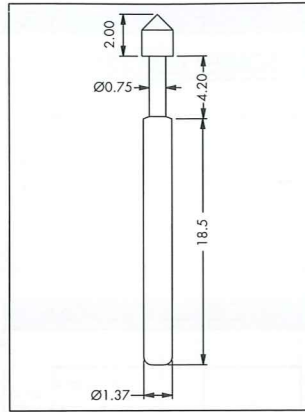
## PROBE HEAD

See Page R4-R5 for additional head styles

### ORDER CODE



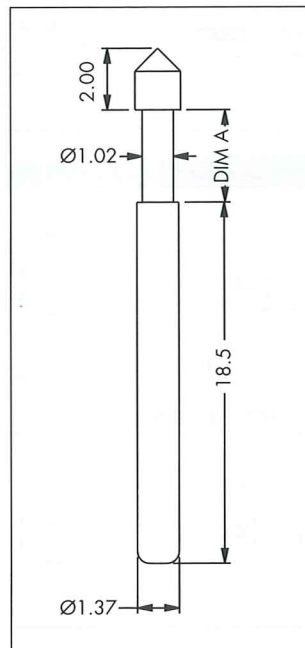
## PROBE



### ORDER CODE: P25-XX22

Replace the XX with the probe head code.  
 Please order sleeves separately.

## PROBE

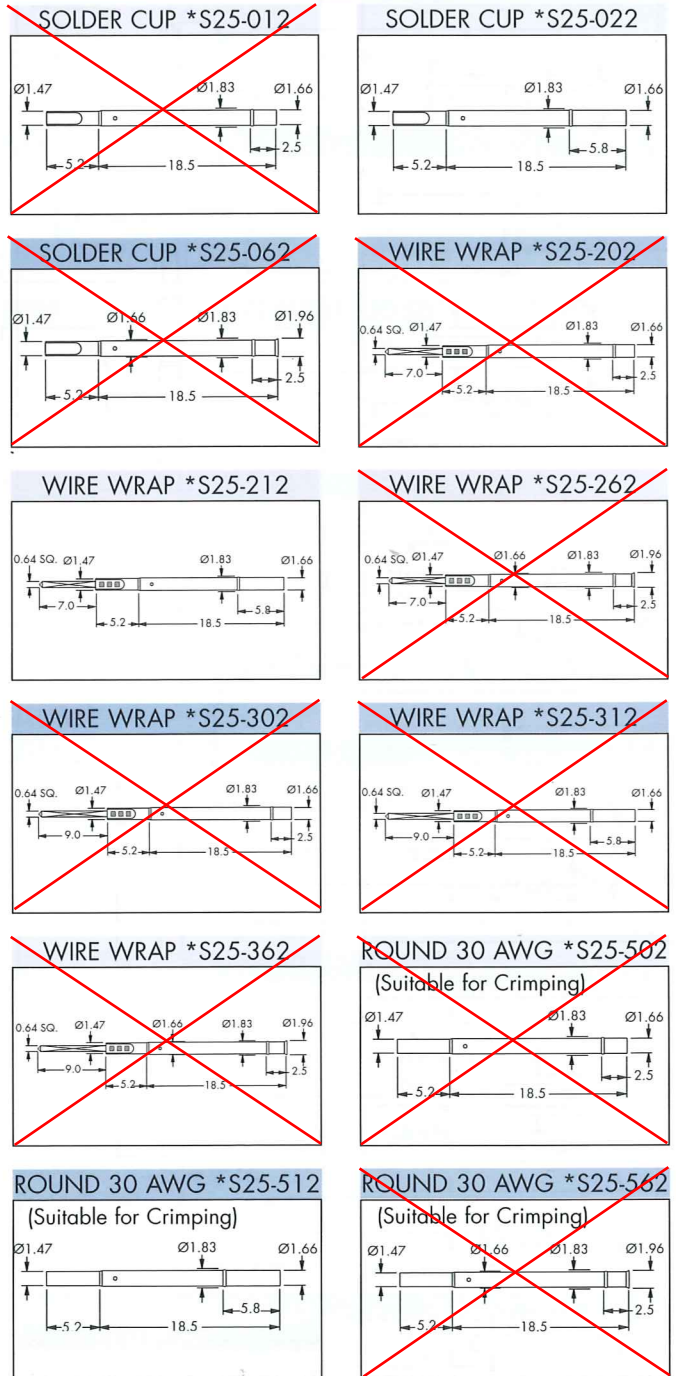


DIM A	ORDER CODE
4.20mm	P25-XX23
3.50mm	<del>P25-XX24</del>
3.00mm	<del>P25-XX25</del>

## SLEEVES

2.54mm Sleeves to match with order codes P25-XX22, P25-XX23, P25-XX24 and P25-XX25.

### ORDER CODE



• Dimensions and Headstyles apply to P25-XX22/23/24/25  
 \* Please contact sales for availability



# SPRING PROBES

Below is a table of additional heads, which are available with the two part spring probes. For detailed information please contact Technical Sales for a Customer Information Sheet.

**Order Code:-** replace the XX in the part number with the style code from the relevant box below.

## HEAD STYLE

ORDER NO.	CENTRE	MOUNTING HOLE	TRAVEL	Spear Head	Spherical Radius	Spherical Radius	Flat	Flat Head	Concave	Concave	Target	Target
P13-XX23	1.27mm	Ø0.90	2.65mm	01	02	03	05	06	10	11	14	15
P13-XX24	1.27mm	Ø0.90	4.20mm	01	02	03	05	06	10	11	14	15
P19-XX21	1.90mm	Ø1.40	2.54mm	01	02	03	05	06	10	11		
P19-XX22	1.90mm	Ø1.40	4.20mm	01	02	03	05	06	10	11		
P19-XX23	1.90mm	Ø1.40	6.30mm	01	02			06		11		
P25-XX22	2.54mm	Ø1.70-Ø1.75	4.20mm	01	03		06/07/08		11/12/13			
P25-XX23	2.54mm	Ø1.70-Ø1.75	4.20mm	01	03/04		06/07/08		11/12/13			
P25-XX24	2.54mm	Ø1.70-Ø1.75	3.50mm		03/04		06/07/08		11/12/13			
P25-XX25	2.54mm	Ø1.70-Ø1.75	3.00mm	01	03/04		06/07/08		11/12/13			
P25-XX26	2.54mm	Ø1.70	6.30mm	01	02		06		11			

\* Please contact Sales for availability

# SPRING PROBES

**Example:-** P13-2123; convex headed probe with a Ø1.0mm; 1.27mm centre; 2.65mm travel.

## PROBE HEADS

## HEAD STYLE

Tulip	Chisel	Convex	Tapered Crown	Tapered Crown	Crown	Crown	Serrated	Serrated	Star	Chisel	Chisel
		20/21/22 Ø0.8/1.0/1.2	30/31 Ø0.5/0.25	32	33			40			60
		20/21/22 Ø0.8/1.0/1.2	30		33		39	40			61/62 Ø1.0/1.2
		20/21/22 Ø1.2/1.3/1.5	30		33			40	50/51 Ø1.3/1.5		61/62 Ø1.3/1.5
		20/21/22 Ø1.2/1.3/1.5			33			40	50/51 Ø1.3/1.5		61/62 Ø1.3/1.5
		20	30			35		40	50	60	64
		20/21/22/23 Ø1.35/1.5/1.8/2.0						40	50/51/52/53/ 54/55/56 Ø1.35/1.5/1.8/ 2.0/2.5/3.0/4.0		61/62 Ø1.5/1.8
		20/21/22/23 Ø1.35/1.5/1.8/2.0			33			40	50/51/52/53/ 54/55/56 Ø1.35/1.5/1.8/ 2.0/2.5/3.0/4.0		61/62 Ø1.5/1.8
		20/21/22/23 Ø1.35/1.5/1.8/2.0			33			40	50/51/52/53/ 54/55/56 Ø1.35/1.5/1.8/ 2.0/2.5/3.0/4.0		61/62 Ø1.5/1.8
		20/21/22/23 Ø1.35/1.5/1.8/2.0			33			40	50/51/52/53/ 54/55/56 Ø1.35/1.5/1.8/ 2.0/2.5/3.0/4.0		61/62 Ø1.5/1.8
16	18	20/21 Ø1.5/2.0				35		40/41/43/45 Ø1.5/2.0	50/51 Ø1.5/2.0	62/63 Ø1.5/2.0	64