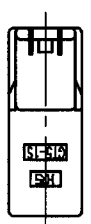
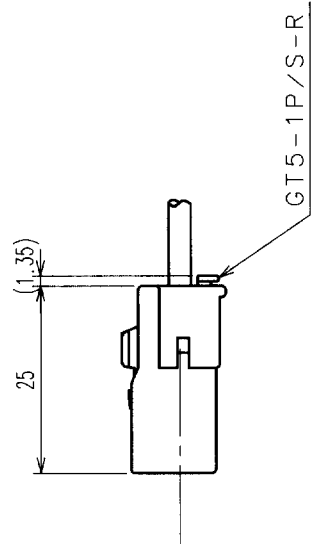
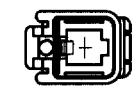
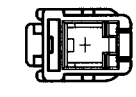
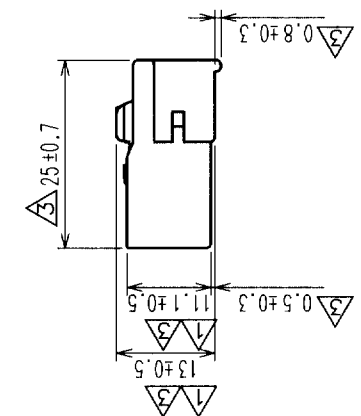
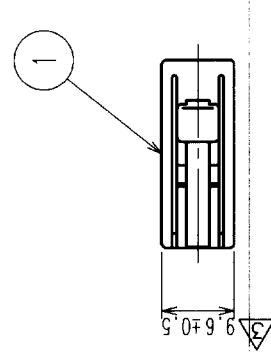


COUNT	DESCRIPTION OF REVISIONS	BY	CHKD	DATE	COUNT	DESCRIPTION OF REVISIONS	BY	CHKD	DATE
2	RE-H-0685	N.N	K.S	93.3.4					
1	RE-T-00501	S.K	K.S	01.2.21					
6	RE-T-00607	T.I	M.C	01.11.28					

NOTE1. THIS CONNECTOR SHALL BE USED WITH A RETAINER
 (CL755-0006-2).



CONNECTOR ASSEMBLED WITH A RETAINER

HRS DRAWING FOR REFERENCE

PECULIAR SPECIFICATION CHART

PART NO.	CL NO.	SPECIFICATION
GT5-1S-HU	755-0004-7	UL94V-0 LIGHT GRAY
GT5-1S-HU (20)	755-0004-7-20	UL94V-0 ORANGE
GT5-1S-HU (21)	755-0004-7-21	UL94V-0 BLUE
GT5-1S-HU (22)	755-0004-7-22	UL94HB WHITE
GT5-1S-HU (24)	755-0004-7-24	UL94V-0 BLACK

NO.	MATERIAL	FINISH, REMARKS	NO.	MATERIAL	FINISH, REMARKS
1	PBT				
NO.	MATERIAL	FINISH, REMARKS	NO.	MATERIAL	FINISH, REMARKS
CODE NO. (OLD)	CL559-0107-9		DRAWN	N.NAKATA	
			DESIGNED	N.NAKATA	
			CHECKED	K.SATO	
			APPROVED	M.YAMAMOTO	
			RELEASED		
			DRAWN	N.NAKATA	
			DESIGNED	N.NAKATA	
			CHECKED	K.SATO	
			APPROVED	M.YAMAMOTO	
			RELEASED		
			DRAWN	N.NAKATA	
			DESIGNED	N.NAKATA	
			CHECKED	K.SATO	
			APPROVED	M.YAMAMOTO	
			RELEASED		
			DRAWN	N.NAKATA	
			DESIGNED	N.NAKATA	
			CHECKED	K.SATO	
			APPROVED	M.YAMAMOTO	
			RELEASED		
			DRAWN	N.NAKATA	
			DESIGNED	N.NAKATA	
			CHECKED	K.SATO	
			APPROVED	M.YAMAMOTO	
			RELEASED		
			DRAWN	N.NAKATA	
			DESIGNED	N.NAKATA	
			CHECKED	K.SATO	
			APPROVED	M.YAMAMOTO	
			RELEASED		
			DRAWN	N.NAKATA	
			DESIGNED	N.NAKATA	
			CHECKED	K.SATO	
			APPROVED	M.YAMAMOTO	
			RELEASED		
			DRAWN	N.NAKATA	
			DESIGNED	N.NAKATA	
			CHECKED	K.SATO	
			APPROVED	M.YAMAMOTO	
			RELEASED		
			DRAWN	N.NAKATA	
			DESIGNED	N.NAKATA	
			CHECKED	K.SATO	
			APPROVED	M.YAMAMOTO	
			RELEASED		
			DRAWN	N.NAKATA	
			DESIGNED	N.NAKATA	
			CHECKED	K.SATO	
			APPROVED	M.YAMAMOTO	
			RELEASED		
			DRAWN	N.NAKATA	
			DESIGNED	N.NAKATA	
			CHECKED	K.SATO	
			APPROVED	M.YAMAMOTO	
			RELEASED		
			DRAWN	N.NAKATA	
			DESIGNED	N.NAKATA	
			CHECKED	K.SATO	
			APPROVED	M.YAMAMOTO	
			RELEASED		
			DRAWN	N.NAKATA	
			DESIGNED	N.NAKATA	
			CHECKED	K.SATO	
			APPROVED	M.YAMAMOTO	
			RELEASED		
			DRAWN	N.NAKATA	
			DESIGNED	N.NAKATA	
			CHECKED	K.SATO	
			APPROVED	M.YAMAMOTO	
			RELEASED		
			DRAWN	N.NAKATA	
			DESIGNED	N.NAKATA	
			CHECKED	K.SATO	
			APPROVED	M.YAMAMOTO	
			RELEASED		
			DRAWN	N.NAKATA	
			DESIGNED	N.NAKATA	
			CHECKED	K.SATO	
			APPROVED	M.YAMAMOTO	
			RELEASED		
			DRAWN	N.NAKATA	
			DESIGNED	N.NAKATA	
			CHECKED	K.SATO	
			APPROVED	M.YAMAMOTO	
			RELEASED		
			DRAWN	N.NAKATA	
			DESIGNED	N.NAKATA	
			CHECKED	K.SATO	
			APPROVED	M.YAMAMOTO	
			RELEASED		
			DRAWN	N.NAKATA	
			DESIGNED	N.NAKATA	
			CHECKED	K.SATO	
			APPROVED	M.YAMAMOTO	
			RELEASED		
			DRAWN	N.NAKATA	
			DESIGNED	N.NAKATA	
			CHECKED	K.SATO	
			APPROVED	M.YAMAMOTO	
			RELEASED		
			DRAWN	N.NAKATA	
			DESIGNED	N.NAKATA	
			CHECKED	K.SATO	
			APPROVED	M.YAMAMOTO	
			RELEASED		
			DRAWN	N.NAKATA	
			DESIGNED	N.NAKATA	
			CHECKED	K.SATO	
			APPROVED	M.YAMAMOTO	
			RELEASED		
			DRAWN	N.NAKATA	
			DESIGNED	N.NAKATA	
			CHECKED	K.SATO	
			APPROVED	M.YAMAMOTO	
			RELEASED		
			DRAWN	N.NAKATA	
			DESIGNED	N.NAKATA	
			CHECKED	K.SATO	
			APPROVED	M.YAMAMOTO	
			RELEASED		
			DRAWN	N.NAKATA	
			DESIGNED	N.NAKATA	
			CHECKED	K.SATO	
			APPROVED	M.YAMAMOTO	
			RELEASED		
			DRAWN	N.NAKATA	
			DESIGNED	N.NAKATA	
			CHECKED	K.SATO	
			APPROVED	M.YAMAMOTO	
			RELEASED		
			DRAWN	N.NAKATA	
			DESIGNED	N.NAKATA	
			CHECKED	K.SATO	
			APPROVED	M.YAMAMOTO	
			RELEASED		
			DRAWN	N.NAKATA	
			DESIGNED	N.NAKATA	
			CHECKED	K.SATO	
			APPROVED	M.YAMAMOTO	
			RELEASED		
			DRAWN	N.NAKATA	
			DESIGNED	N.NAKATA	
			CHECKED	K.SATO	
			APPROVED	M.YAMAMOTO	
			RELEASED		
			DRAWN	N.NAKATA	
			DESIGNED	N.NAKATA	
			CHECKED	K.SATO	
			APPROVED	M.YAMAMOTO	
			RELEASED		
			DRAWN	N.NAKATA	
			DESIGNED	N.NAKATA	
			CHECKED	K.SATO	
			APPROVED	M.YAMAMOTO	
			RELEASED		
			DRAWN	N.NAKATA	
			DESIGNED	N.NAKATA	
			CHECKED	K.SATO	
			APPROVED	M.YAMAMOTO	
			RELEASED		
			DRAWN	N.NAKATA	
			DESIGNED	N.NAKATA	
			CHECKED	K.SATO	
			APPROVED	M.YAMAMOTO	
			RELEASED		
			DRAWN	N.NAKATA	
			DESIGNED	N.NAKATA	
			CHECKED	K.SATO	
			APPROVED	M.YAMAMOTO	
			RELEASED		
			DRAWN	N.NAKATA	
			DESIGNED	N.NAKATA	
			CHECKED	K.SATO	
			APPROVED	M.YAMAMOTO	
			RELEASED		
			DRAWN	N.NAKATA	
			DESIGNED	N.NAKATA	
			CHECKED	K.SATO	
			APPROVED	M.YAMAMOTO	
			RELEASED		
			DRAWN	N.NAKATA	
			DESIGNED	N.NAKATA	
			CHECKED	K.SATO	
			APPROVED	M.YAMAMOTO	
			RELEASED		
			DRAWN	N.NAKATA	
			DESIGNED	N.NAKATA	
			CHECKED	K.SATO	
			APPROVED	M.YAMAMOTO	
			RELEASED		
			DRAWN	N.NAKATA	
			DESIGNED	N.NAKATA	
			CHECKED	K.SATO	
			APPROVED	M.YAMAMOTO	
			RELEASED		
			DRAWN	N.NAKATA	
			DESIGNED	N.NAKATA	
			CHECKED	K.SATO	
			APPROVED	M.YAMAMOTO	
			RELEASED		
			DRAWN	N.NAKATA	
			DESIGNED	N.NAKATA	
			CHECKED	K.SATO	
			APPROVED	M.YAMAMOTO	
			RELEASED		
			DRAWN	N.NAKATA	
			DESIGNED	N.NAKATA	
			CHECKED	K.SATO	
			APPROVED	M.YAMAMOTO	
			RELEASED		
			DRAWN	N.NAKATA	
			DESIGNED	N.NAKATA	
			CHECKED	K.SATO	
			APPROVED	M.YAMAMOTO	
			RELEASED		
			DRAWN	N.NAKATA	
			DESIGNED	N.NAKATA	
			CHECKED	K.SATO	
			APPROVED	M.YAMAMOTO	
			RELEASED		
			DRAWN	N.NAKATA	
			DESIGNED	N.NAKATA	
			CHECKED	K.SATO	
			APPROVED	M.YAMAMOTO	
			RELEASED		
			DRAWN	N.NAKATA	
			DESIGNED	N.NAKATA	
			CHECKED	K.SATO	
			APPROVED	M.YAMAMOTO	
			RELEASED		
			DRAWN	N.NAKATA	
			DESIGNED	N.NAKATA	
			CHECKED	K.SATO	
			APPROVED	M.YAMAMOTO	
			RELEASED		
			DRAWN	N.NAKATA	
			DESIGNED	N.NAKATA	
			CHECKED	K.SATO	
			APPROVED	M.YAMAMOTO	
			RELEASED		
			DRAWN	N.NAKATA	
			DESIGNED	N.NAKATA	
			CHECKED	K.SATO	
			APPROVED	M.YAMAMOTO	
			RELEASED		
			DRAWN	N.NAKATA	
			DESIGNED	N.NAKATA	
			CHECKED	K.SATO	
			APPROVED		