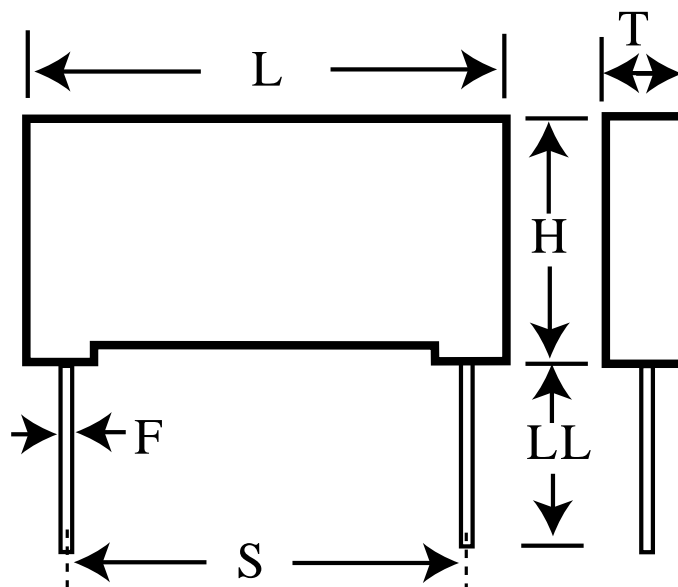


# PHE840MY7100MD16R06L2

aka F840DT105M275C

Capacitor, film, 1 uF, +/-20% Tol, -55/+105C, Safety: X2, 275VAC, Lead Spacing=22.5 mm



## Dimensions (mm)

## Specifications

ID	Dimension	Tolerance	Manufacturer:	KEMET
L	26	max	Brand:	Rifa
H	21.5	max	Capacitance:	1 uF
T	11	max	Temperature Range:	-55/+105C
S	22.5	+/-0.4	Rated Temperature:	105C
LL	6	nom	Voltage @ rated temp:	760V
F	0.8	nom	Voltage AC:	275VAC
			Tolerance:	+/-20%
			Body Type:	Radial Box
			Construction:	Wound
			Application:	Safety: X2
			Dissipation Factor @ 1 kHz:	0.1%
			Dissipation Factor @ 10 kHz:	0.4%
			Insulation Resistance:	10 GOhm
			Maximum dVdT:	100v/us
			UL_1414:	250V
			UL_1283:	280V
			IEC_60384-14:	275V
			EN_132400:	275V
			C_22.2_NO.1:	250V
			C_22.2_NO.8:	280V
			Miscellaneous Electrical:	UL/CSA VAC= 280; fo= &DD2&"MHz series(PHE840M)
			Package Kind:	Bulk
			Package Type:	Tray
			Package Quantity:	253