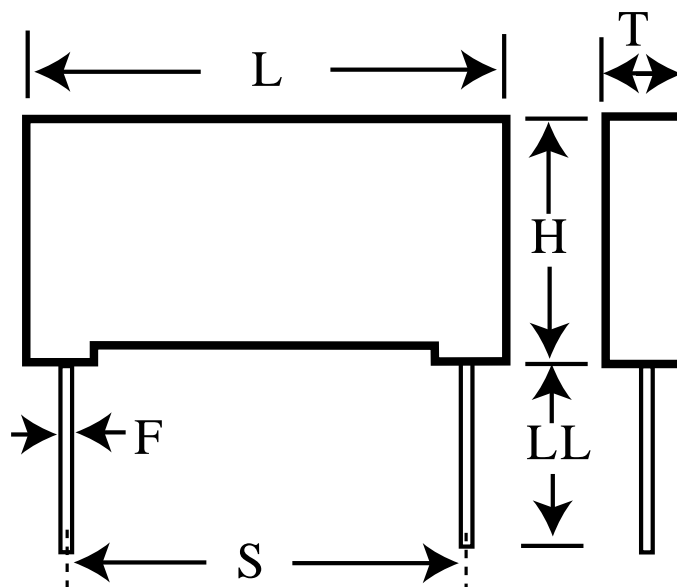


PME271Y447MR30

aka P271HL472M250A

Capacitor, film, 4700 pF, 20% Tol, 1000V @85C, Lead Spacing=10.2mm



Dimensions (mm)

ID	Dimension	Tolerance
L	13.5	max
H	10.5	max
T	5.1	max
S	10.2	+/-0.4
LL	30	nom
F	0.6	nom

Specifications

Manufacturer:	KEMET
Brand:	Rifa
Application:	Safety: Y2
Capacitance:	4700 pF
Tolerance:	20%
Temperature Range:	-40/+100C
Climate Category:	40/100/56/B
Voltage DC @ 85C:	1000V
Voltage DC @ 100C:	1000V
Voltage AC:	250VAC
Voltage AC Temperature:	100C
Approval UL:	Yes
Approval ENEC:	Yes
Approval CUL:	No
Approval CSA:	Yes
Dielectric:	Metallized Paper
Construction:	Non Inductive
Dissipation Factor @ 1 KHz:	1.3%
Insulation Resistance:	12 GOhm
Maximum dVdT:	2000v/s
Body Type:	Molded
Package Kind:	Bulk
Package Quantity:	800
Miscellaneous Electrical:	fo= 24 MHz series(PME271Y)