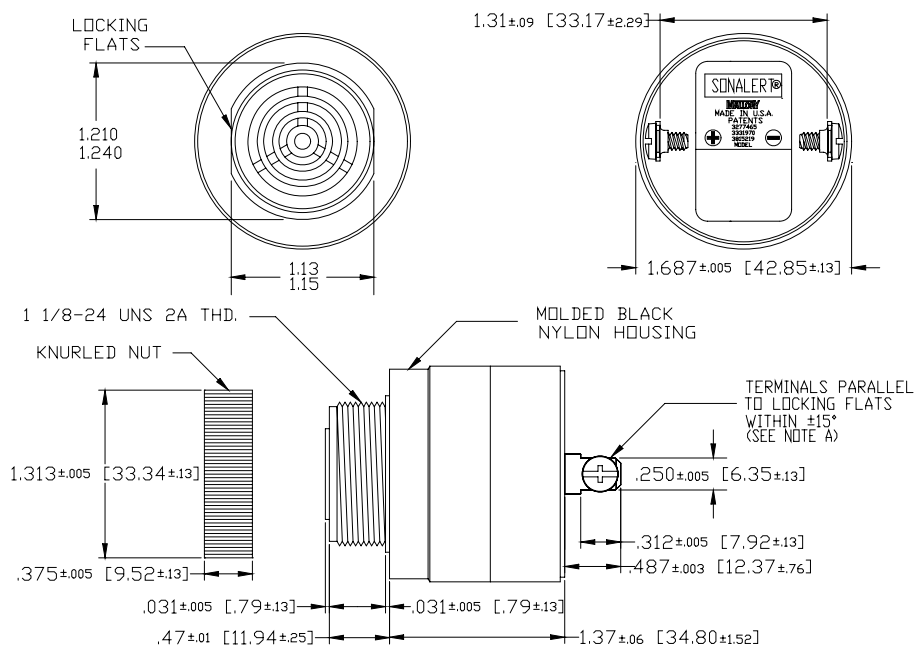


**Specifications:**

|                         |                                     |
|-------------------------|-------------------------------------|
| Sound level Category    | Medium Sound Level                  |
| Mode of Operation       | Continuous tone                     |
| Mounting                | Panel (see note B)                  |
| Voltage Rating          | 60 to 250 Vac/dc                    |
| Frequency               | 2900 Hz ±500 Hz                     |
| Loudness (Min. Voltage) | 68 dB(A) min. @ 2 FT and 60 Vac/dc  |
| Loudness (Max Voltage)  | 80 dB(A) min. @ 2 FT and 250 Vac/dc |
| Current Draw            | 5 mA Max @ 60 Vac/dc                |
| Current Draw            | 18 mA Max @ 250 Vac/dc              |
| Storage Temperature     | -40°C to +85°C                      |
| Operating Temperature   | -30°C to +65°C                      |
| Weight (Typical)        | 2.1 oz (59 g)                       |
| Housing                 | 6/6 Nylon, Color Black              |
| Options                 | For other options contact factory   |

**Dimensions:** Inches (mm)

**UL Recognized**   
**RoHS Compliant**



NOTE A: TERMINALS-.032 BRASS TIN PLATED, TAPPED FOR #6-32 SCREW. TWO #6-32 NICKEL PLATED BRASS SCREWS INCLUDED. WILL ACCEPT 1/4" QUICK CONNECT.

NOTE B: MOUNTING- REMOVE BLACK PLASTIC NUT AND INSERT THREADED FRONT THROUGH 1.25" HOLE PUNCHED IN PANEL, IF ORIENTATION IS NEEDED, NOTE LOCKING FLATS ON DRAWING. SCREW NUT BACK ON. DO NOT OVERTIGHTEN.