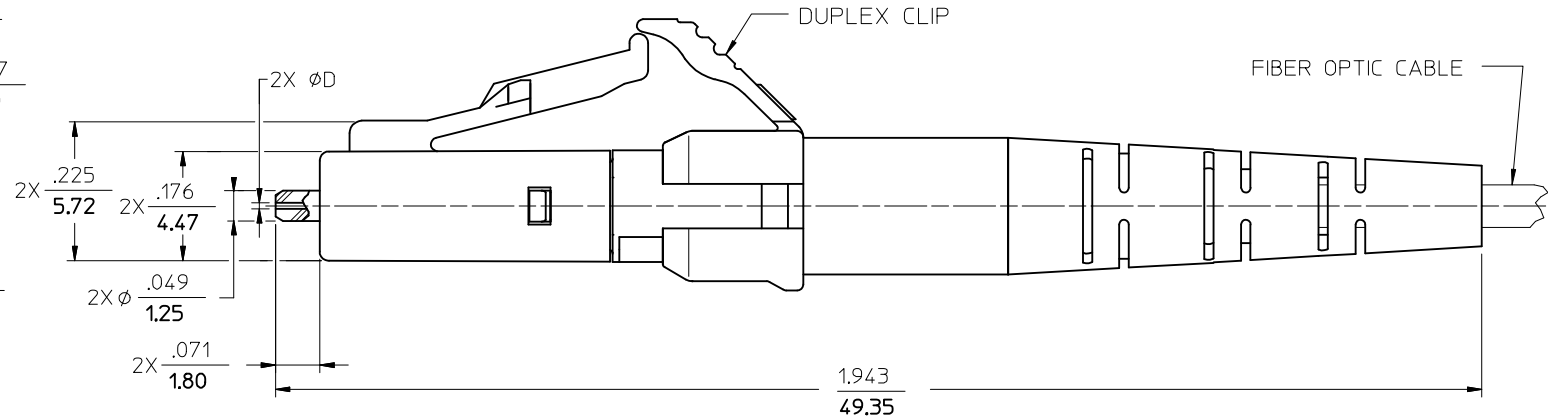
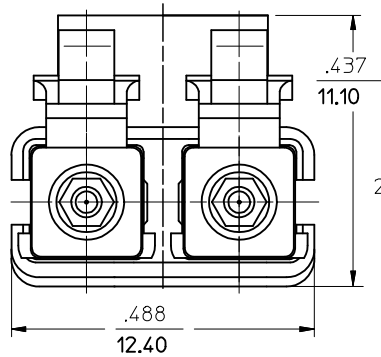


BOOTS

(DUST CAPS NOT SHOWN)



DUPLEX CLIP

FIBER OPTIC CABLE

NOTES:

- 1. DUPLEX CLIP AND BOOTS SHOULD BE ASSEMBLED AFTER POLISHING OPERATION.
- *2. P/N 106025-3320 AND 106025-5320 ARE BULK PACKED IN QUANTITIES OF 100 PCS.

ENTER DESCRIPTION EC NO: MF2013-0203 DR: MANKPEVNER 2012/10/09 CHKD: LGUMIN APPR: LGUMIN 2012/10/09 B1	QUALITY SYMBOLS ▽=0 ▽=0	GENERAL TOLERANCES (UNLESS SPECIFIED) mm INCH 4 PLACES ± --- ± --- 3 PLACES ± --- ± --- 2 PLACES ± --- ± --- 1 PLACE ± --- ± --- 0 PLACE ± ±	DIMENSION STYLE IN/MM DRAWN BY DATE PGIBLIN 2005/09/06 CHECKED BY DATE APPROVED BY DATE	SCALE 5:1 DESIGN UNITS INCH THIRD ANGLE PROJECTION	TITLE LC DUPLEX CONNECTOR
	ANGULAR ±1/2° DRAFT WHERE APPLICABLE MUST REMAIN WITHIN DIMENSIONS	MATERIAL NO. SEE TABLE	DOCUMENT NO. SD-1060DD-DDD0	SHEET NO. 1 OF 1	
	THIS DRAWING CONTAINS INFORMATION THAT IS PROPRIETARY TO MOLEX INCORPORATED AND SHOULD NOT BE USED WITHOUT WRITTEN PERMISSION				
	moxex				

6	5	4	3	2	1	
CONNECTOR P/N	∅D (µm)	CONNECTOR BODY COLOR	BOOT COLOR	CABLE DESCRIPTION & ∅ (mm)	CABLE TYPE	
106025-2000	125.50	BLUE	WHITE	SIMPLEX 1.6	SINGLE MODE	
106025-2300				SIMPLEX 2.0 ZIPCORD 1.6		
106025-2310			BLACK			
106025-3000	127.00	BEIGE	WHITE	SIMPLEX 1.6	MULTIMODE	
106025-3300				SIMPLEX 2.0 ZIPCORD 1.6		
106025-3320*						
106025-3310			BLUE			
106025-4000	125.00	BLUE	WHITE	SIMPLEX 1.6	SINGLE MODE	
106025-4300				SIMPLEX 2.0 ZIPCORD 1.6		
106025-5000	SIMPLEX 1.6					
106025-5300	SIMPLEX 2.0 ZIPCORD 1.6					
106025-5320*						
106025-5310	BLUE					
106025-6000	125.25		WHITE	SIMPLEX 1.6		
106025-6300				SIMPLEX 2.0 ZIPCORD 1.6		

ENTER DESCRIPTION EC NO: MF2013-0203 DRWN:KPEVZNER 2012/10/09 CHKD: APPR:IGUMIN 2012/10/09 REV B1	QUALITY SYMBOLS 	GENERAL TOLERANCES (UNLESS SPECIFIED)		DIMENSION STYLE IN/MM		SCALE 5:1	DESIGN UNITS INCH	THIRD ANGLE PROJECTION	
		4 PLACES ± --- ± ---	DRAWN BY PGIBLIN	DATE 2005/09/06	TITLE LC DUPLEX CONNECTOR				
		3 PLACES ± --- ± ---	CHECKED BY	DATE					
		2 PLACES ± --- ± ---	APPROVED BY		DATE				
		1 PLACE ± --- ± ---	MATERIAL NO. SEE TABLE		DOCUMENT NO. SD-1060DD-DDD0				SHEET NO. 2 OF 1
0 PLACE ± ±	ANGULAR ±1/2°		THIS DRAWING CONTAINS INFORMATION THAT IS PROPRIETARY TO MOLEX INCORPORATED AND SHOULD NOT BE USED WITHOUT WRITTEN PERMISSION						