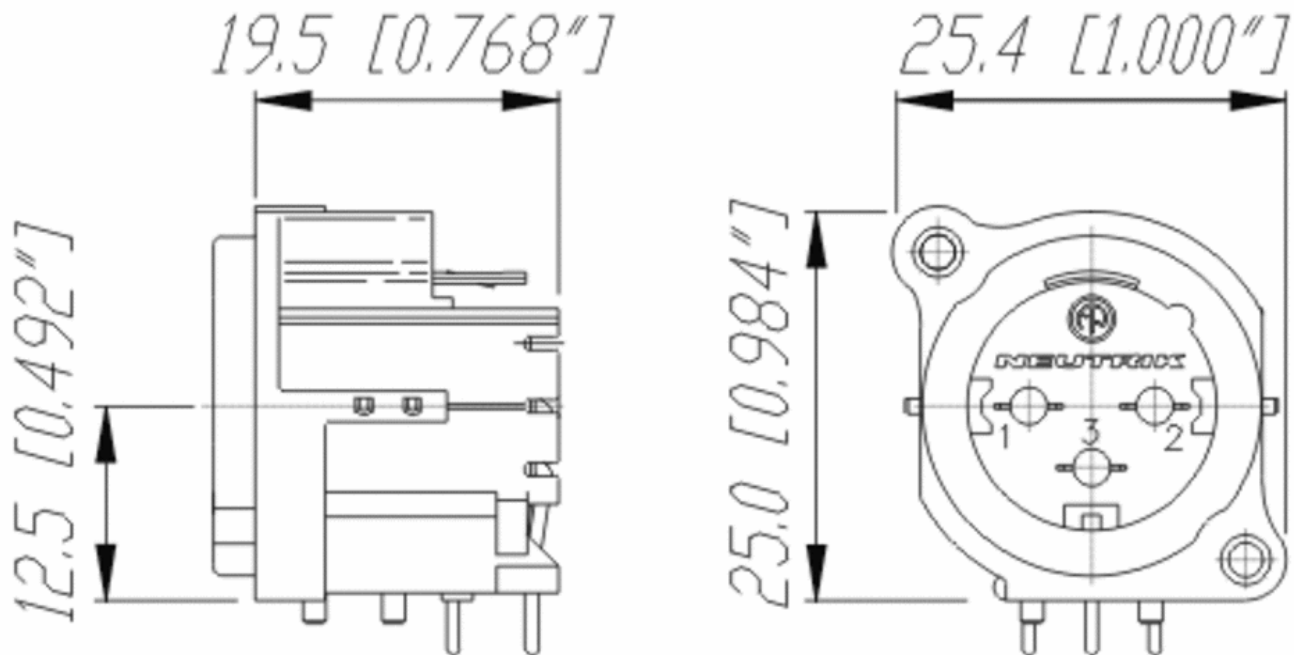




### NC3MAH

3 pole male XLR receptacle, plastic housing, horizontal PCB mount.



### XLR Chassis Connectors / A Series

The new `State of the Art` receptacle. Smallest size / highest packing density. New designed contacts with hard gold plating and polished contact areas. TF-contacts. Latch locking or retention spring. Available in 3, 4 and 5 pole. Variety of shell and chassis grounding facilities, direct 'Pin 1' to chassis ground connection available. Fastening: Self-tapping PLASTITE®\* screws with thread 2.9x1.06 and tri-rondular configuration. UL recognized component.

\* PLASTITE® is a registered trademark of SFS Unimarket

### TECHNICAL DATA

#### Electrical

Number of contacts: 3 - 5

Rated current:

3 & 4 pole: 6 A

5 pole: 3 A

Rated voltage: 50 V ac

Contact resistance:  $\leq 5$  m Ohm

Insulation resistance: - initial  $> 2$  G Ohm

- after damp heat test > 1 G Ohm (IEC 68-2-30)  
Dielectric strength: 1500 V

#### Mechanical

Lifetime: > 1000 mating cycles  
Insertion / withdrawal force: ≤ 20 N  
Retention method (Female versions only): - standard: latch lock  
- ' -0 ' version: retention spring  
Separating force: ≥ 20 N

#### Materials

Shell (Insert) PA 6.6 25% GR ( 5-pole: PA 6.6 30% GR)  
Contacts: - male: CuZn35Pb2  
Contact surface: 0.2 µm AuCo over 2 µm NiP 15 (Tribor®)  
Ground contact: 0.3 µm AG, passivated  
Latch lock & spring: CK 67 steel, treated

#### Environmental

Temperature range: -30° C to + 80° C  
Flammability: UL 94 V-0 (5-pole: UL 94 HB)  
Solderability: complies with IEC 68-2-20

#### Compatibility/Remarks

Version with IDC wiring:  
Applicable wire size : 0.22 mm<sup>2</sup> / 24 AWG  
and 0.14 mm<sup>2</sup> / 26 AWG

Special non quoted versions available on request.

**Copyright © 2005**  
**Neutrik® AG.**  
**All Rights Reserved.**

#### **Neutrik® AG - Headquarters**

Im alten Riet 143  
9494 Schaan  
Principality of Liechtenstein  
**phone:** +423 2372424  
**fax:** +423 2325393  
**email:** [neutrik@neutrik.com](mailto:neutrik@neutrik.com)  
**net:** <http://www.neutrik.com>