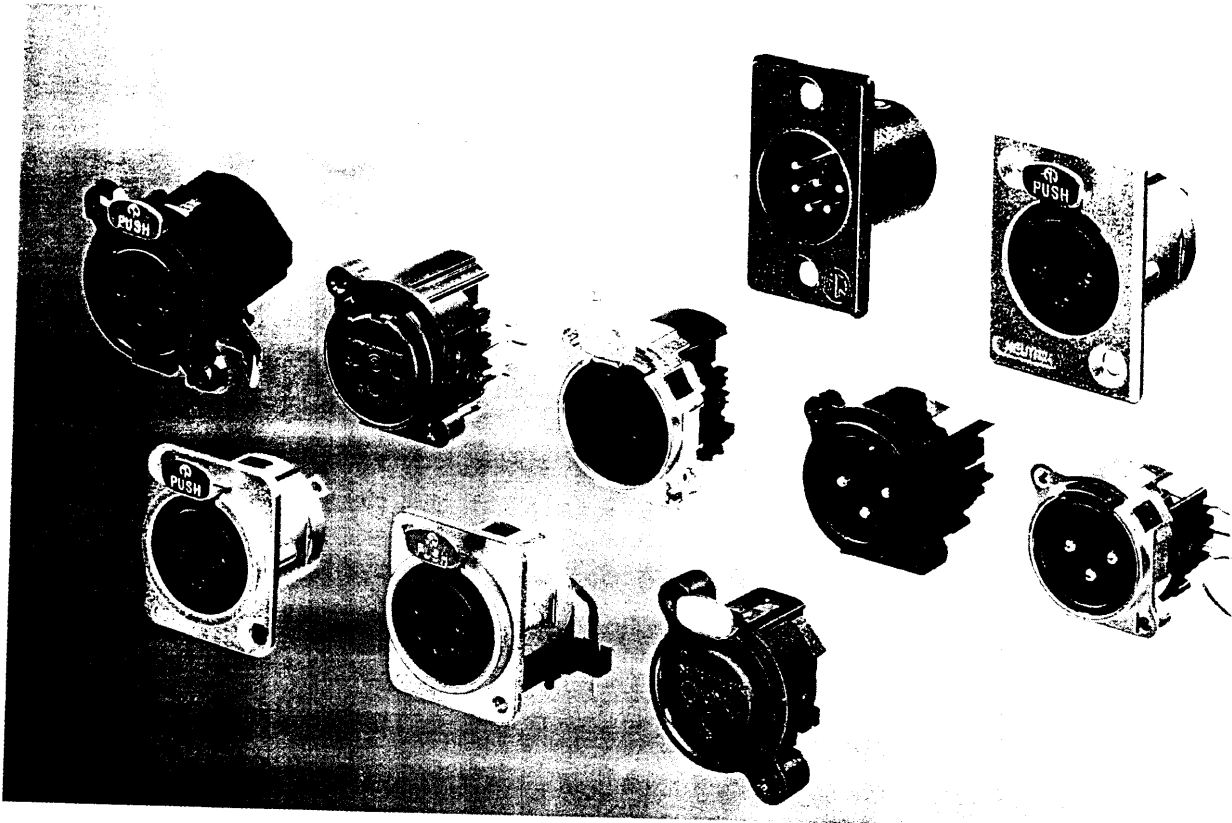


724 506 to 555

-724-506 to 555-

XLR

Receptacles



WE ARE SETTING STANDARDS

- *Eight different series to cover all conceivable applications*
- *From the world largest and most innovative XLR-manufacturer*
- *Easy to assemble, simple to use*
- *Reliable, robust with a worldwide reputation*



NEUTRIK

CONNECTING THE WORLD

CONNECTORS

AUDIO TEST SYSTEMS

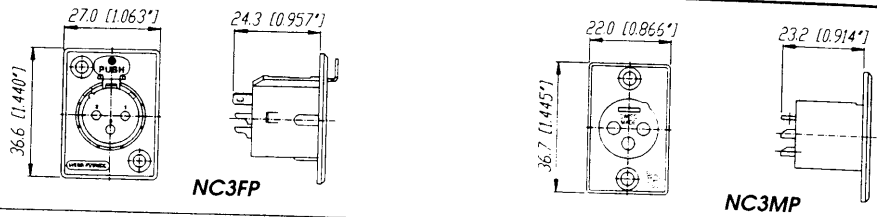
PRODUCT FEATURES

DIMENSIONAL DRAWINGS

(PCB layouts and dimensional drawings on request)

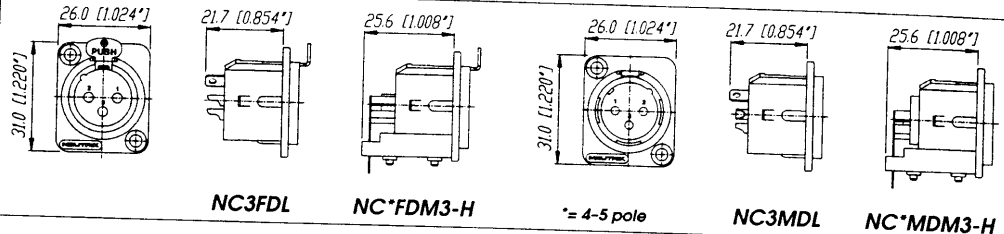
P Series

Smallest available hard wiring "CLASSICS" Large solder cups.



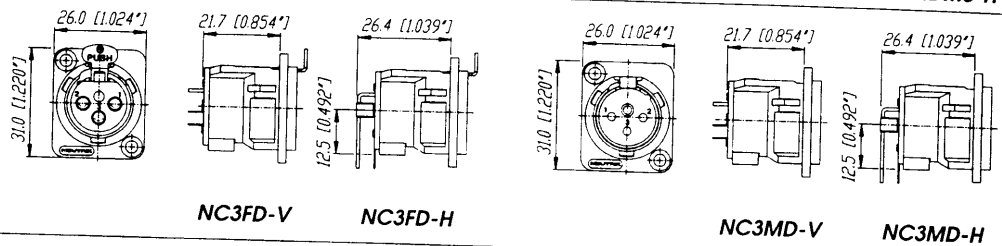
DL Series

Unified metal shell for male and female. RF-protected. Solder cups, or PCB terminations (4 & 5 pole only).



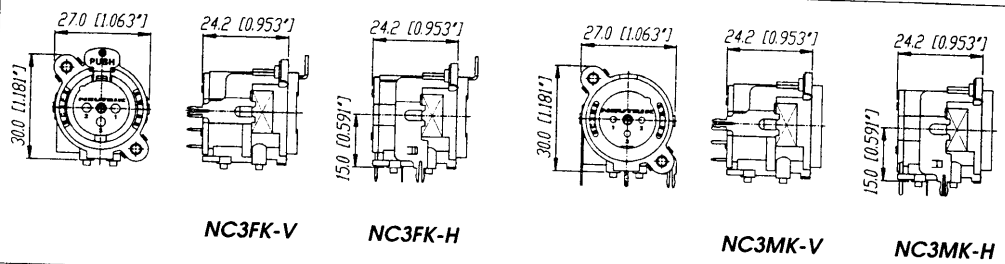
D Series

Unified metal shell for male and female. Insert premounted to PCB, shell to enclosure, front locked / unlocked. RF-protected.



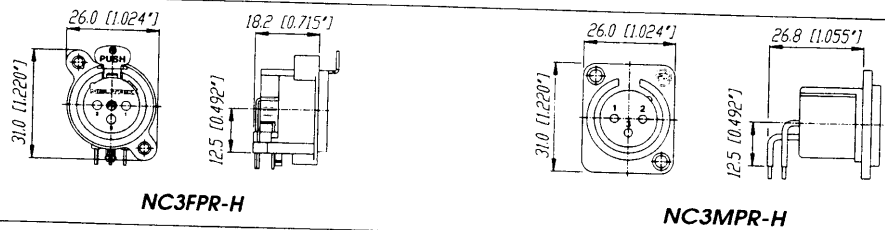
K Series

Extremely versatile and cost effective concept. Metal brackets secure the socket to the PCB, machine insertable. M3-thread screw holes with panel-ground contacts.



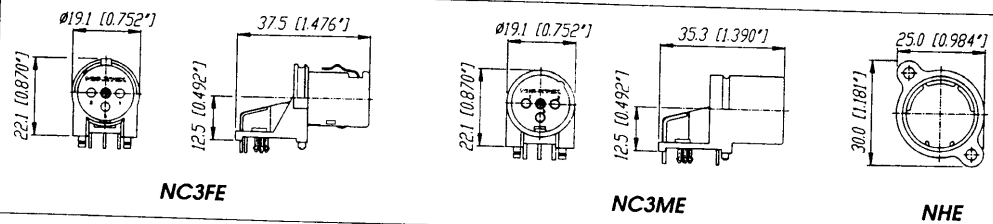
R Series

Small size, low cost. XLR-sockets without ground contact, available with or without latch. Gold contacts on female.



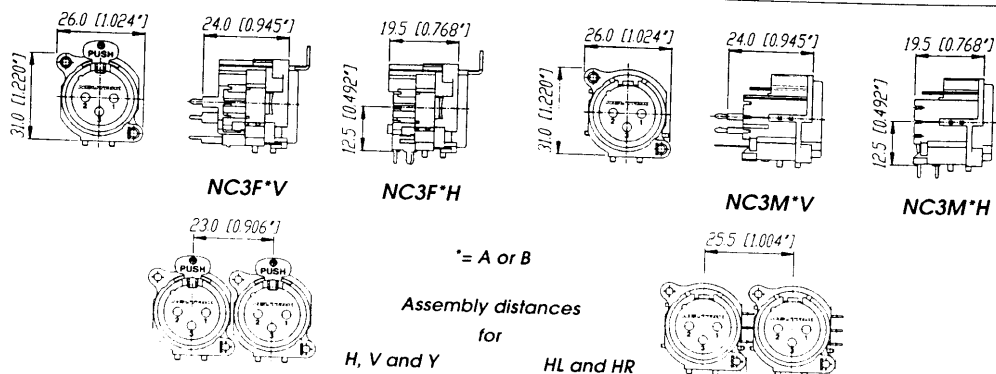
E Series

Minimum weight, direct to the PCB, right angle sockets. Escutcheon available. Gold contacts on female.



A and B Series

The new "State of the Art" receptacle. Smallest size / highest packing density. New designed contacts with polished contact areas and hard gold plating. TF-contacts. Variety of shell and chassis grounding facilities, direct "Pin 1" to chassis ground connection available. Special B series version with additional ground contacts for better RF-protection available.



Type Nr. CODING

SPECIAL VERSIONS/ REMARKS

SPECIFICATIONS

TYPE SPECIFIC

COMMON

SHELL CONT. FEMALE MALE

(unless otherwise stated)

Nickel	Silver	NC*FP	NC**MP
Black Cr	Gold	NC*FP-B	NC**MP-B
	Silver	NC3FP-BAG	NC3MP-BAG

Compatibility:
Switchcraft® DxM, DxF
Cannon XLRx31, XLRx32
Dimensionally with D series

ELECTRICAL
Number of contacts: 3-7
(except MP: 3-6)
Rated current:
see chart under common specs.

ELECTRICAL
Rated voltage: 250 V ac
Dielectric strength: 1500 V dc
Contact resistance: $\leq 5 m\Omega$
Insulation resistance (Initial): $>2 \cdot 10^8 \Omega$
Insulation resistance after damp heat test: $>1 \cdot 10^8 \Omega$

*= 3-7 pole **= 3-6 pole

Nickel	Silver	NC*FDL	NC*MDL
Black Cr	Gold	NC*FDL-B	NC*MDL-B
	Silver	NC*FDL-BAG	NC*MDL-BAG

*: 6-pole version with Switchcraft contact arrangement (6 FS/MS) available; contact factory

PCB versions (4 & 5 pole):
horizontal PCB mounting,
fastening by chassis mounting holes with M3 threads or by self tapping PT® screws with thread 2.9x1.06 (tri-rondular) direct to PCB

MATERIALS
Shell: ZnAlCu1, gal Ni or black chromium (Cr) plating
Contacts - female (4-7 pole) & male:
CuZn39Pb3
Contact surface: gal 2 μm Ag or gal 0.3 μm Au hard alloy over 2 μm Ni

P-, DL-Series:

x	I (A)	□ (mm ² /AWG)	C (pF)
3	16	2.5/14	≤ 4
4	10	1.5/16	≤ 7
5	7.5	1.0/18	≤ 7
6	7.5	1.0/18	≤ 7
7	5	1.0/18	≤ 9

Nickel	Silver	NC+FDM3-H	NC+MDM3-H
Black Cr	Silver	NC+FDM3-H-BAG	NC+MDM3-H-BAG

+ = 4 or 5 pole

Mounting holes with M3 threads: add suffix "-M3"

Females:
Retention spring instead of latch: add suffix "-0"

ELECTRICAL
Number of contacts: 3
Rated current: 6 A

MATERIALS
Shell: ZnAlCu1, gal Ni or black Cr plating
Contacts:
- male: CuZn39Pb3
Contact surface:
gal 2 μm Ag or gal 0.3 μm Au hard alloy over 2 μm Ni

x ... No. of contacts
I ... Rated current per contact
□ ... Max. wire size
C ... Capacitance between contacts

Nickel	Silver	NC3FD-V	NC3MD-V
Black Cr	Gold	NC3FD-V-B	NC3MD-V-B
	Silver	NC3FD-V-BAG	NC3MD-V-BAG

Nickel	Silver	NC3FD-H	NC3MD-H
Black Cr	Gold	NC3FD-H-B	NC3MD-H-B
	Silver	NC3FD-H-BAG	NC3MD-H-BAG

Version without brackets: contact factory

ELECTRICAL
Number of contacts: 3
Rated current: 6 A

MATERIALS
Shell (Insert): PA 6.6 30% GR
Contacts:
- male: CuZn35Pb2
Contact surface:
- female: 0.5 μm Au cladded
- male: gal 2 μm Ag

MECHANICAL
Insertion / withdrawal force:
 $\leq 20 N / \leq 10 N$
Retention method:
- standard: latch lock
- "-0" version: retention spring
Separating force: $\geq 20 N$

PA 6.6 GR	Silver	-	NC3MK-V
	Gold	NC3FK-V	-
	Silver	-	NC3MK-H
	Gold	NC3FK-H	-

Compatibility:
Cannon XLB
Switchcraft PQG

Females:
Retention spring instead of latch: add suffix "-0"

ELECTRICAL
Number of contacts: 3

MATERIALS
Shell (Insert): PA 6.6 30% GR
Contacts:
- male: CuZn35Pb2
Contact surface:
- female: 0.5 μm Au cladded
- male: gal 2 μm Ag

ENVIRONMENTAL
Temperature range: -30°C to +80°C
Flammability: UL 94HB
Solderability:
complies with IEC 68-2-20

PA 6.6 GR	Silver	-	NC3MPR-H
	Gold	NC3FPR-H	-

Females:
Retention spring instead of latch: add suffix "-0",
no ground contact

Vertical versions:
contact factory

ELECTRICAL
Number of contacts: 3

MATERIALS
Shell (Insert): PA 6.6 30% GR
Contacts:
- male: CuZn35Pb2
Contact surface:
- female: 0.5 μm Au cladded
- male: gal 2 μm Ag

MATERIALS
Insert: PA 6.6 30% GR
(glass reinforced)

Contacts: - female (3-pole): CuSn6

Latch lock & spring:
CK 67 steel, treated

PA 6.6 GR	Silver	-	NC3ME-H
	Gold	NC3FE-H	-

Accessory:
Snap on escutcheon NHE with mounting holes for selftapping screws PT-K30

Compatibility:
Switchcraft RAPC series

ELECTRICAL
Number of contacts: 3
Rated current: 6 A

MATERIALS
Shell (Insert): PA 6.6 30% GR
Flammability: UL 94 V-0
Ring (B-series): ZnAlCu1

REMARKS
Version with IDC wiring:
Applicable wire size AWG 24 and 26

Special version for B series with additional ground contacts: add suffix "E"

Special non quoted versions available on request.

Series	Termination	Grounding	Retention / Shell
NC3F	X	X	X
A			#
B			#
H			-B
V			
HR			
HL	1		
Y	#		
	1		
	2		

FEMALE

Series	Termination	Shell lock
NC3M	X	X
A		#
B		#
H		-B
V		
HR		
HL	1	
Y	#	
	1	
	2	

MALE

#	plastic shell & latch lock
-0	plastic shell & retention spring
#	Ni metal shell
-B	black Cr metal shell
	horizontal PCB
	vertical PCB
	lateral right PCB
1	lateral left PCB
#	IDC
1	pin *1* & ground connected
2	ground separated

#	plastic shell
#	Ni metal shell
-B	black Cr metal shell
	horizontal PCB
	vertical PCB
	lateral right PCB
1	lateral left PCB
#	IDC

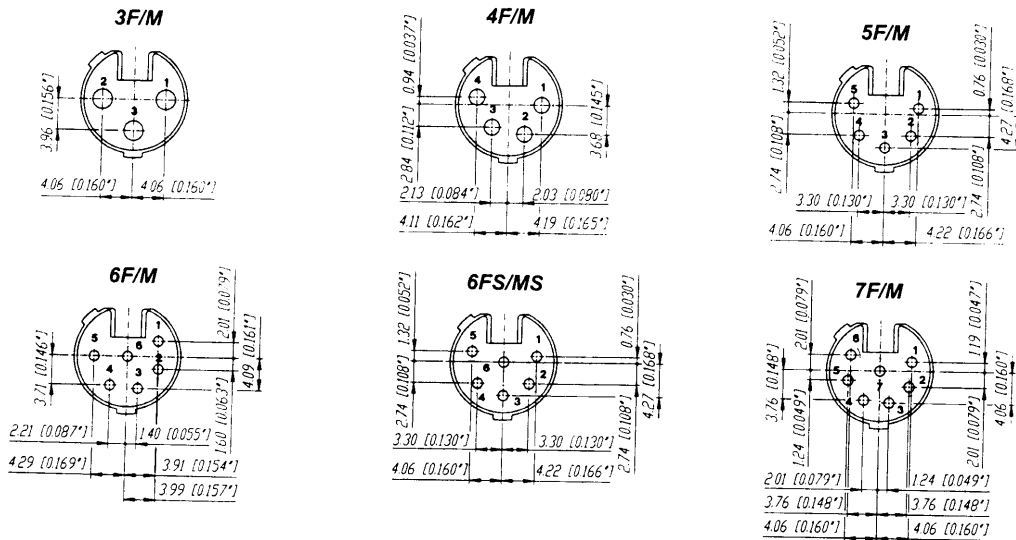
Contacts:
- male: CuZn35Pb2
Contact surface:
gal 0.1 μm AuCo over 2 μm NiP15 (Tribor)

Fastening:
A-series: self tapping PT® screws with thread 2.9x1.06 and tri-rondular configuration
B-series: TAPTITE® screws M2.5 (tri-rondular)

... skip this place

CONTACT ARRANGEMENTS

FEMALE: Mating side
MALE: Wiring side

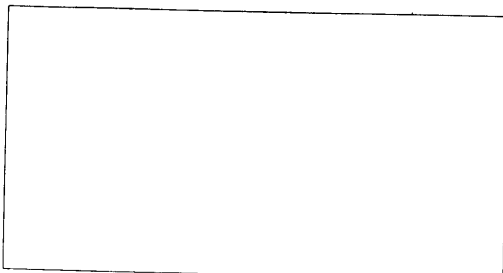


NEUTRIK "THE CONNECTOR INNOVATORS"

- The "Chuck Principle" Strain Relief
- The Helicon® Contact
- The first Unified Male-Female XLR Receptacle
- The first Rear Mount XLR Receptacle
- The first direct to PCB XLR Receptacle
- The Screwless Cable Connector
- The Smallest Cable Connector
- The first Locking Phone Jack
- The first Fully Modular Connecting System
- The first Die-Cast Phone Plug
- The first Heavy Duty Waterproof XLR Connector
- The first Safety-Proof & AVC-Proof Speaker-Amplifier Connecting System
- The first Fully Crimped 1/4" Plug
- The first "Ground Before Signal" Phono Plug
- The Smallest XLR Socket
- The first 1/4" Jack with separated retention
- The first Bantam Plug with separated retention and gold contacts
- The first combined Jack-XLR Receptacle
- The smallest and most universal XLR Receptacle

- (C Series et al.) 1975
- 1975
- (D Series) 1980
- (D Series) 1980
- (D Series) 1980
- (X Series) 1981
- (X Series) 1981
- (J Series) 1981
- (NEUTRICON®) 1982
- (P Series) 1983
- (HD Series) 1986
- (SPEAKON®) 1987
- (KIK) 1988
- (PROFI) 1989
- (R Series) 1990
- (J Series) 1990
- (TT Series) 1991
- (Combo) 1992
- (A/B Series) 1995

REPRESENTED AND SERVICED BY:



Neutrik AG
 Liechtenstein
 Tel.: 075/237 24 24
 Fax.: 075/232 53 93

Neutrik USA INC.
 USA
 Tel.: 908/901 9488
 Fax.: 908/901 9608

Neutrik UK
 Great Britain
 Tel.: 019 83/811 441
 Fax.: 019 83/811 439

Neutrik Zürich AG
 Switzerland
 Tel.: 01/734 0400
 Fax.: 01/734 3891



NEUTRIK
 CONNECTING THE WORLD