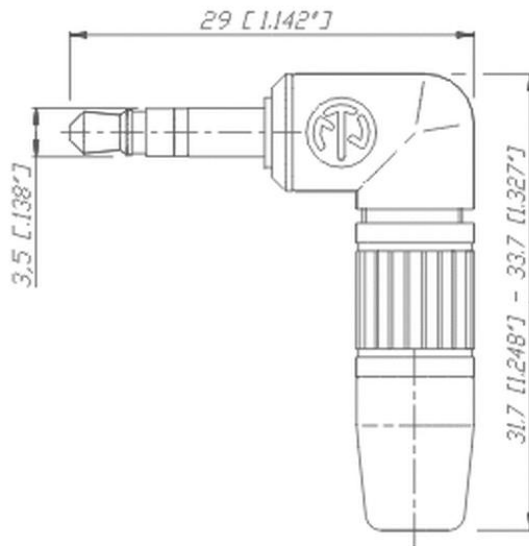




#### NTP3RC

3.5 mm audio plug with chuck and bushing, nickel housing and nickel contacts.



#### Plugs / 3.5 mm Tiny Plug

The brand new Tiny Plug is the perfect product for professional applications with 3.5 mm stereo plugs like Mic connections on video cameras, wireless headsets, etc. It offers a slim, space saving all metal design either in nickel or black chrome and excellent cable retention values using a chuck type strain relief for cables from 2 - 4,5mm.

#### TECHNICAL DATA

##### Electrical

Insulation resistance - initial: > 2 G $\Omega$

- after damp heat test: > 1 G $\Omega$

Dielectric strength: > 500 V rms

##### Mechanical

Wiring: solder terminals

Wire size: > AWG 24

Cable O.D.: 2 - 4.5 mm

Solderability: complies with IEC 68-2-20

##### Materials

Shell ZnAl4Cu1, Ni or black Cr plated

Insulation: PC 15% GR

Contacts: CuZn39Pb3, Ni or Au plated

Chuck: POM

Bushing: CuZn39Pb3 (Ni or black chrome) + PU

Temperature range: -20°C to +65°C

N...Standard Neutrik® product

N...Non standard Neutrik® product, only available from Neutrik® USA Inc.

Copyright © 2005  
Neutrik® USA Inc.  
All Rights Reserved.

Neutrik® USA Inc.  
195 Lehigh Avenue  
Lakewood, NJ 08701 - 4527  
phone: +1-732-901 9488  
fax: +1-732-901 9608  
email: [info@neutrikusa.com](mailto:info@neutrikusa.com)  
net: <http://www.neutrik.com>