



Audio

3.5 mm Tiny Plug

NTP3RC

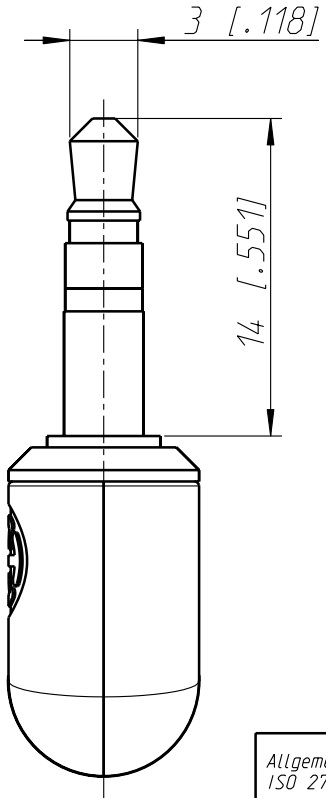
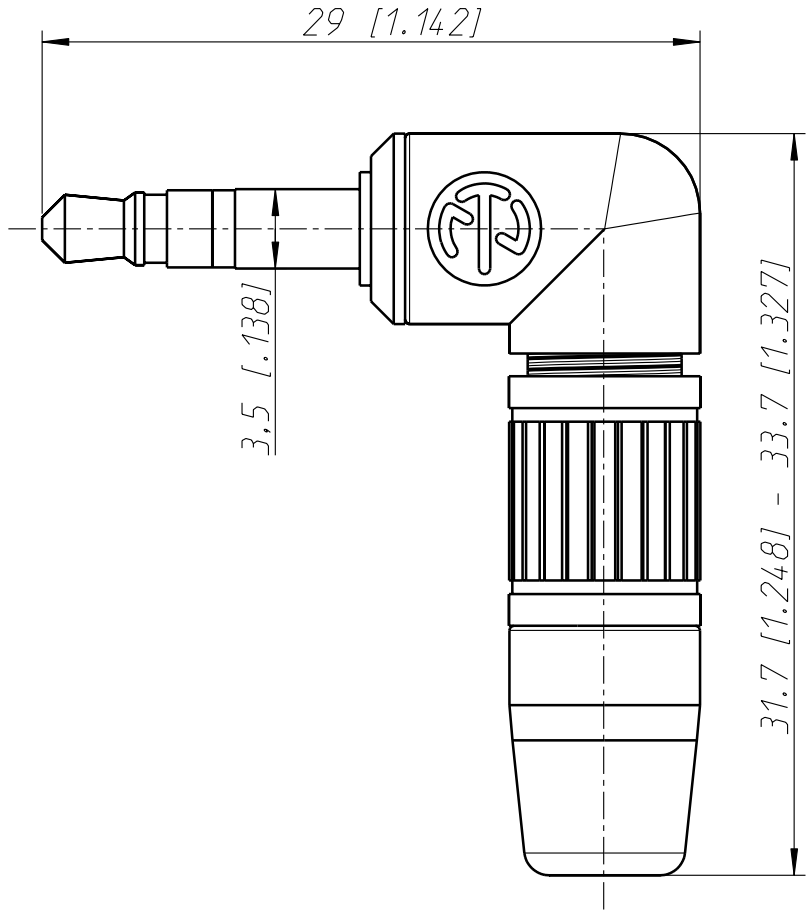
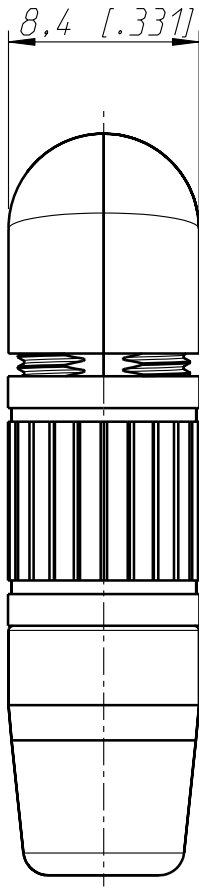


3 pole 3.5 mm audio plug, solder termination, chuck type strain relief, bushing, nickel housing, nickel contacts

The only right-angled metal bodied 3.5 mm jack plug with chuck type strain relief for secure cable retention. It accepts cables from 2.0 to 4.5 mm.

Features & Benefits

- All metal housing - robust and reliable
- Chuck type cable clamp and rubber gland - excellent cable protection
- Slim design - space saving



| | | | | |
|---|----------------|--------------------------|----------------------|-----------|
| Allgemeintoleranzen ISO 2768-m | Werkstoff - | Massstab: 3:1 (A4) | Datum | Name |
| | | | Gezeichnet | Mijatovic |
| Zeichnung urheberrechtlich geschuetzt (DIN 34) (C) | - | - | - | - |
| | - | - | - | - |
| Benennung NTP3RC NTP3RC | Aend.-Nr. | | Aend.-Index | |
| | - | | - | |
| Ersatz fuer: | | | Blatt 1 von 1 Bl. | |
| Zeichn. Nr. | | | ST-NTP3RC | |
| NEUTRIK AG FL-9494 SCHAAN | | | | |

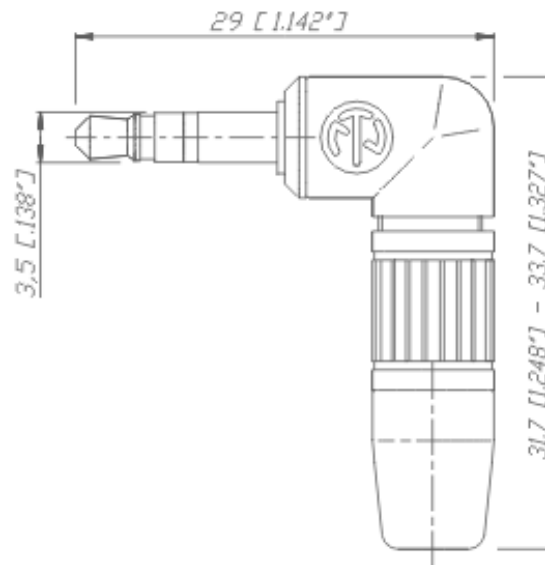


3.5 mm Tiny Plug



Audio

NTP3RC



There are no technical infos for this product.

| Product | |
|---------------------------|--------------------------------|
| Connector Type | Plug |
| Gender | male |
| Electrical | |
| Contact resistance | depends on mating connector mΩ |
| Dielectric strength | 1 kVdc |
| Insulation resistance | > 2 GΩ (initial) |
| Insulation resistance | ≥ 1 GΩ (after damp heat test) |
| Rated current per contact | ≤ 15 A |
| Mechanical | |
| Cable O.D. | 2 - 4.5 mm |
| Wire size | 0,22 mm ² |
| Wire size | 24 AWG |
| Wiring | Solder contacts |
| Material | |
| Bushing | CuZn39Pb3 + PU, Ni |
| Contact plating | 2 μm Ni (Su) |

| | |
|----------------------|----------------------------|
| Contacts | Brass (CuZn39Pb3) |
| Insert | Polyamide (PA 6.6 15 % GR) |
| Shell | Zinc diecast (ZnAl4Cu1) |
| Shell plating | Nickel |
| Strain relief | Polyacetal (POM) |
| Environmental | |
| Solderability | Complies with IEC 68-2-20 |
| Temperature range | -20 °C to +65 °C |
| Optical | |
| Mobile Cables | |