

Cell size	No	P/N	Fig	Insulating tube	F																tab hole				
					A		B		C		D		E		F		G		H			I		J	
1225	12	BR-1225A/FAN	2	yes	12.6	± 0.2	3.75	± 0.5	3.75	± 1	4.6	± 0.5	0.75	± 0.1	0.75	± 0.1	(8)	3.15	± 1	0.2	± 0.05	2.5	± 1	no	
1632	16	BR-1632A/FAN	4	yes	16.1	± 0.2	3	± 0.5	4.2	± 1	2.5	± 0.1	2.5	± 0.1	(4.5)	3.75	± 1	0.15	± 0.05	3	± 1			no	
2330	30	BR-2330A/FAN	4	yes	23.1	± 0.2	7.6	± 0.5	5	± 1	3	± 0.1	3	± 0.1	4	± 0.1	3.55	± 0.5	0.15	± 0.05	4	± 1		yes	
2450	34	BR-2450A/FJN	7	yes	24.6	± 0.2	6	± 0.5	6	± 1	5.9	± 1	1.8	± 0.1	1.8	± 0.1	4	± 0.1	5.6	± 1	0.2	± 0.05	5	± 1	no
2477	35	BR-2477A/FBN	4	yes	24.6	± 0.2	5.5	± 0.5	5.5	± 1	1.8	± 0.1	1.8	± 0.1	4	± 0.1	8.3	± 0.5	0.2	± 0.05	4	± 1		no	

Fig1

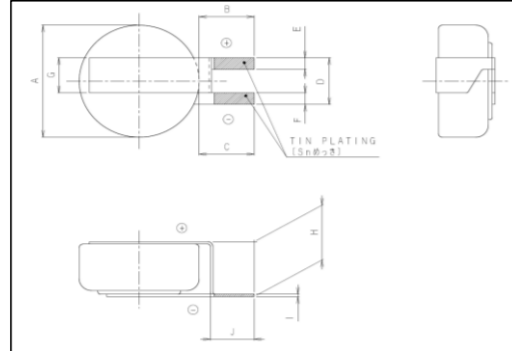


Fig2

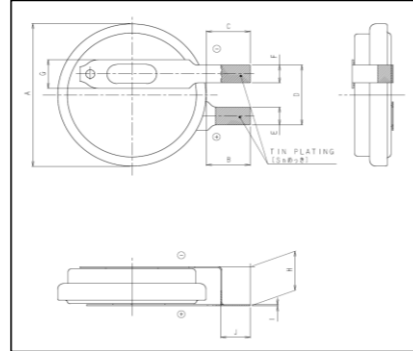


Fig3

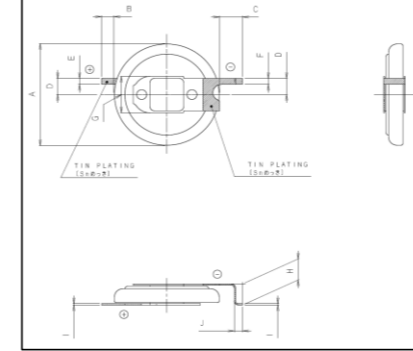


Fig4

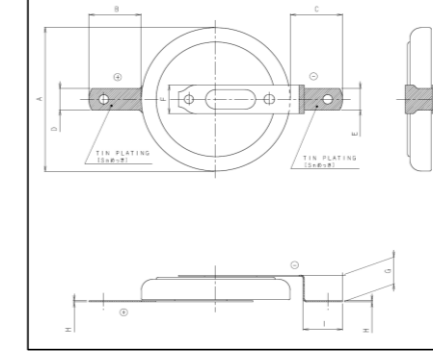


Fig5

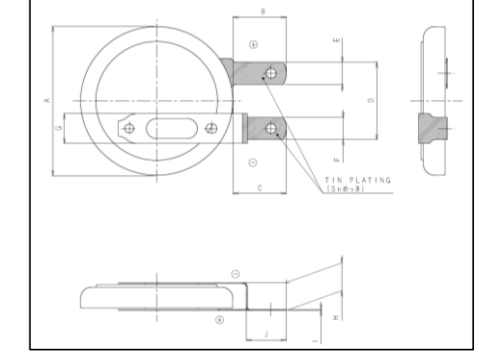


Fig6

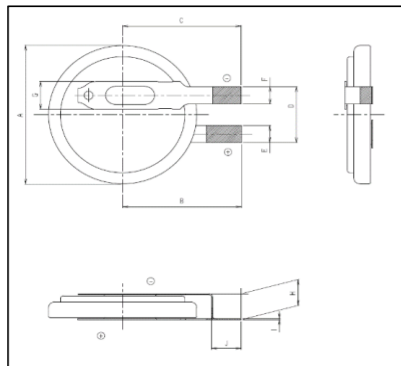


Fig7

