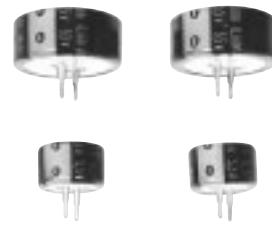


### Stacked Coin Type

Series: **F**



#### ■ Features

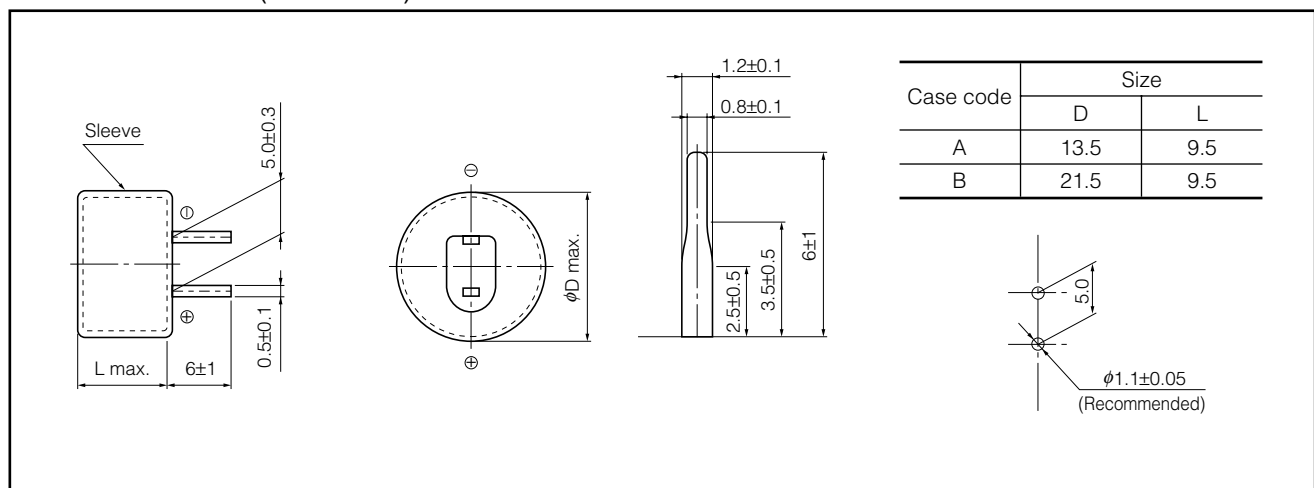
- Endurance : +85 °C 1000 h
- RoHS directive compliant

#### ■ Specifications

Category Temp. Range	-25 °C to +85 °C	
Maximum Operating Voltage	5.5 V.DC	
Nominal Cap.Range	0.033 F to 1.0 F	
Characteristics at Low Temperature	Capacitance change	±30 % of initial measured value at +20 °C (at -25 °C)
	Internal resistance	≤5 times of initial measured value at +20 °C (at -25 °C)
Endurance	After 1000 hours application of 5.5 V. DC at +85 °C, the capacitor shall meet the following limits.	
	Capacitance change	±30 % of initial measured value
	Internal resistance	≤4 times of initial specified value
Shelf Life	After 1000 hours storage at +85 °C without load, the capacitor shall meet the specified limits for Endurance.	

#### ■ Dimensions in mm(not to scale)

(Unit : mm)



#### ■ Standard Products

Maximum Operating Voltage (V.DC)	Capacitance (F)	Capacitance tolerance (F)	Internal resistance (Initial specified value) (Ω) at 1kHz	Case code	Part number	Min. Packaging Q'ty	
						Quantity per box (pcs)	Quantity per outer packaging (pcs)
5.5	0.033	0.0264 to 0.0594	≤ 150	A	EECF5R5H333	200	2000
	0.047	0.0376 to 0.0846	≤ 120	A	EECF5R5H473	200	2000
	0.10	0.080 to 0.180	≤ 100	A	EECF5R5H104	200	2000
	0.47	0.376 to 0.846	≤ 75	B	EECF5R5H474	100	500
	0.68	0.476 to 1.224	≤ 50	B	EECF5R5H684	100	500
	1.00	0.80 to 1.80	≤ 50	B	EECF5R5H105	100	500

Note : Do not use reflow soldering. (IR, Atmosphere heating methods, etc.)  
Please refer to the page of "Application Guidelines".

Design and specifications are each subject to change without notice. Ask factory for the current technical specifications before purchase and/or use.  
Should a safety concern arise regarding this product, please be sure to contact us immediately.