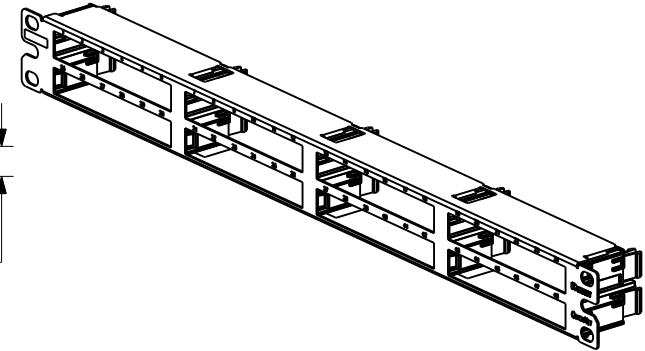
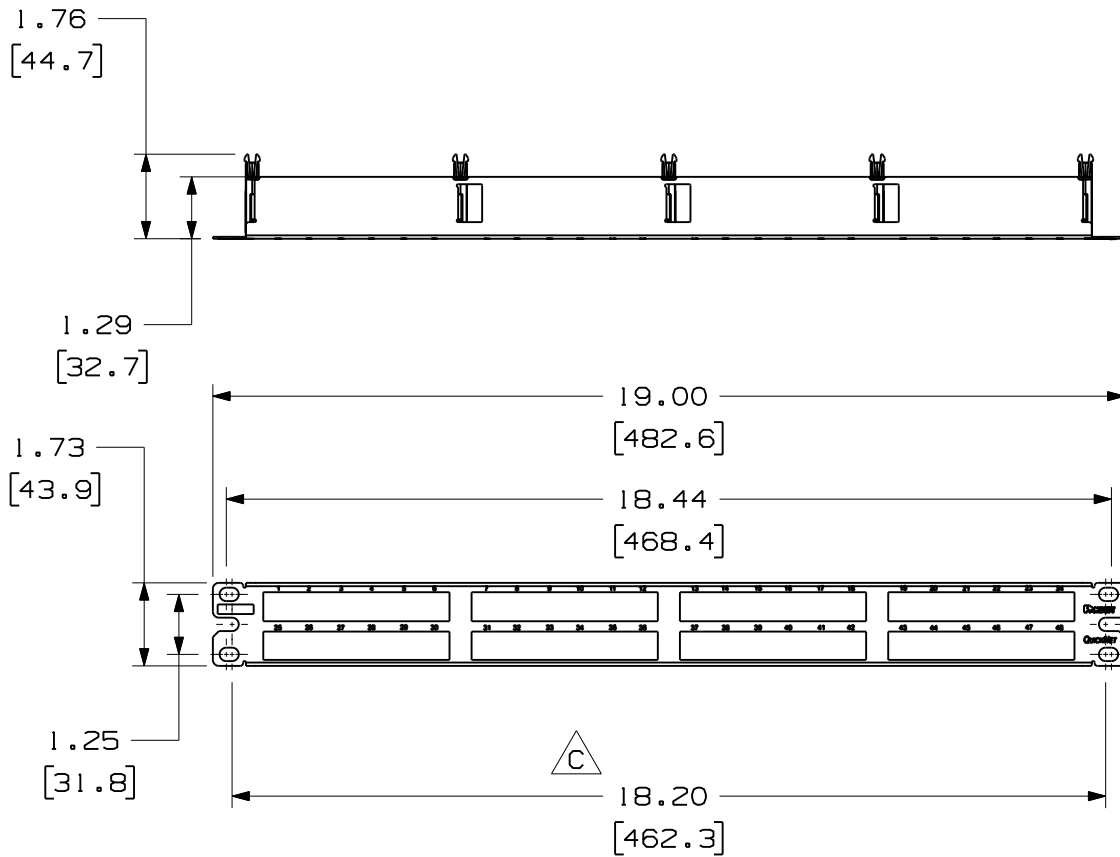


THIS COPY IS PROVIDED ON A RESTRICTED BASIS AND IS NOT TO BE USED IN ANY WAY DETRIMENTAL TO THE INTERESTS OF PANDUIT CORP.

PANDUIT PART NO.	WEIGHT (APPOX.)
QPP48HDBL	0.65 lb (294.8 g)

- NOTES:
- SEE CURRENT CATALOG FOR VARIOUS APPLICATIONS.
  - THE PATCH PANEL IS DESIGNED FOR MOUNTING TO 19" UNIVERSAL RACKS.
  - DIMENSIONS IN BRACKETS ARE IN METRIC.
  - PART INCLUDES:
    - 1- METAL STAMPING WITH SLIDE GUIDES
    - 1- SCREW KIT (INCLUDES FOUR #12-24 SCREWS)
    - 1- SCREW KIT (INCLUDES FOUR M6 SCREWS)



MODEL FILENAME M02582BP_48_PORT_1RU_ST_PANEL_ASSY_06	SIZE A
DRAWING FILENAME M02582BP_DC18_06A.PRT	

TITLE  
QUICKNET 48 PORT PATCH PANEL  
CUSTOMER DRAWING

<p>PANDUIT<sup>TM</sup> CORP. TINLEY PARK, ILL 60477</p>	I.I. NUMBER
	PRODUCT SPEC
<p>THIRD ANGLE PROJECTION</p>	WORK INSTRUCTION
	SCALE .25 TO 1
DRAWN BY MDJr	MATERIAL:
DATE 9-01-06	PANEL: CRS GUIDES: ABS
CHK'D WFM1	PART NO. QPP48HDBL
	DRAWING NO. 02582-18

REV	DATE	BY	CHK	DESCRIPTION	ECN	R	CUST	SUP	OTH
1	6-15-07	BJN	EJH	C. ADDED 18.20 [462.3] DIMENSION B. ADDED .62 [15.9] DIMENSION A. UPDATED MODEL TO REV 06	02582-18		TRW		
R	11-10-06	MDJr	WFM1	RELEASED TO PRODUCTION	02582-18	TRW	TRW		