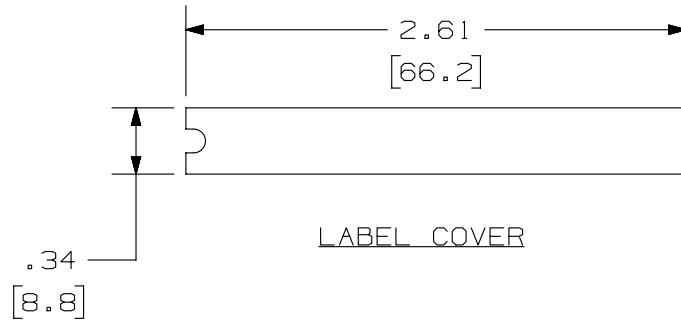


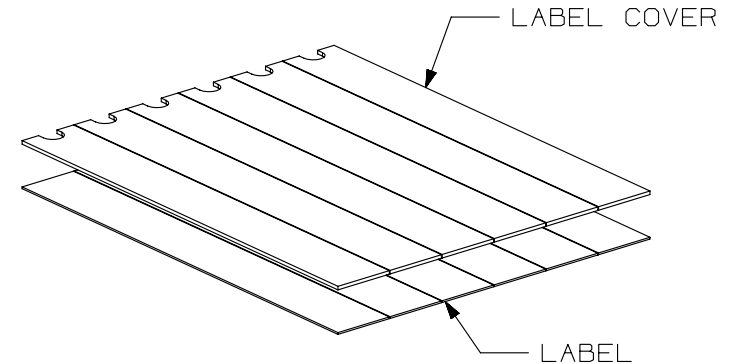
THIS COPY IS PROVIDED ON A RESTRICTED BASIS AND IS NOT TO BE USED IN ANY WAY DETRIMENTAL TO THE INTERESTS OF PANDUIT CORP.

|             |                                  |
|-------------|----------------------------------|
| PANDUIT P/N | WEIGHT                           |
| C4PPLK      | .10 LB/10 PCS<br>(46.2 g/10 PCS) |



NOTES:

- SEE CURRENT CATALOG FOR ADDITIONAL PART NUMBER SUFFIXES TO INDICATE COLOR AND OR PACKAGE QUANTITY.
- SEE CATALOG FOR COMPLETE LIST OF PARTS APPLICABLE FOR USE WITH THIS PART.
- DIMENSIONS IN [ ] ARE IN METRIC.
- MATERIAL:  
LABEL - VINYL  
LABEL COVER - PETG
- PART INCLUDES:  
6 - LABEL  
6 - LABEL COVER



|   |  |                      |  |
|---|--|----------------------|--|
| PART NUMBER   |  | C4PPLK               |  |
| TITLE   |  |                      |  |
| 4 POSITION FACEPLATE PATCH PANEL LABEL KIT                      |  |                      |  |
| CUSTOMER DRAWING  |  |                      |  |
| ITEM REVISION NAME  |  | M00742EP/00          |  |
| DATASET FILE NAME   |  | M00742EP_DC/00A      |  |
| UNLESS OTHERWISE SPECIFIED, DIMENSIONAL TOLERANCES ARE: IN (mm) |  | MATERIAL:            |  |
| .x ± .1 [ 2.54 ]  |  | .xxx ± .005 [ .127 ] |  |
| .xx ± .01 [ .25 ]   |  | ANGLES ± 5 °         |  |
| DRAWN BY  |  | SCALE                |  |
| JSP   |  | NONE                 |  |
| DATE  |  | SHT 1 OF 1           |  |
| 7-30-01   |  | A                    |  |
| CHK   |  | DRAWING NUMBER:      |  |
| MJD   |  | 00742-87             |  |
| THIRD ANGLE PROJECTION  |  | SIZE                 |  |
| A   |  | A                    |  |

| REV | DATE    | BY  | CHK  | APR | DESCRIPTION                     | ECN      |
|-----|---------|-----|------|-----|---------------------------------|----------|
| 1   | 3/6/14  | JSP | REFR | MMR | A. REVISED DRAWING TITLE BLOCK. | 00742-87 |
| R   | 7-30-01 | JSP | MJD  | MJD | RELEASED TO PRODUCTION          | 00742-87 |

D10100DA/14