

VS-06-2X2X26C7/7-67/67/ 7,5


Order No.: 1656712



<http://eshop.phoenixcontact.de/phoenix/treeViewClick.do?UID=1656712>

Assembled FireWire cable, shielded, color: RAL 5021 (water blue), PUR outer sheath, FireWire/IP67 on FireWire/IP67, length: 7.5 m

Commercial data

GTIN (EAN)	 4 046356 013161
Note	Made-to-order
sales group	D542
Pack	1 pcs.
Customs tariff	85444290
Catalog page information	Page 313 (PC-2009)

Product notes

WEEE/RoHS-compliant since:
05/10/2006



<http://www.download.phoenixcontact.com>
Please note that the data given here has been taken from the online catalog. For comprehensive information and data, please refer to the user documentation. The General Terms and Conditions of Use apply to Internet downloads.

Technical data

Mechanical characteristics

Number of positions	6
Shielded	Yes
Insertion/withdrawal cycles	≥ 1000
External cable diameter	6.7 mm
Cable diameter	6.70 mm

Cable structure	2x2xAWG26/7 + 2xAWG20/19; S/FTP
Length of cable	7.5 m
Ambient temperature (operation)	-20 °C ... 60 °C (cable, fixed installation)
	0 °C ... 50 °C (cable, flexible installation)
	(Male connector / female connector)

Material data

Housing material	PA
Sealing material	FPM
Outer sheath, material	PUR
External sheath, color	water blue RAL 5021
Degree of protection	IP67

Electrical characteristics

Rated voltage (III/3)	125 V
Rated current	1 A
Transmission characteristics (category)	FireWire (400 Mbps)

Line characteristics

Cable type	FireWire
Conductor cross section	0.14 mm ² (signal line)
	0.5 mm ² (Power supply)
AWG signal line	26
Conductor structure signal line	7x 0.15 mm
AWG power supply	20
Conductor structure, voltage supply	19x 0.20 mm
Core diameter including insulation	1 mm (signal line)
External cable diameter	6.70 mm
Wire colors	White-blue, white-orange, gray, black
External sheath, color	water blue RAL 5021
Insulation resistance	5 GΩ*km
Conductor resistance	150 mΩ/m
Transmission characteristics (category)	CAT7, for USB 2.0 (480 Mbps)
Working capacitance	42 pF
Wave impedance	100 Ω ±5% (signal line)
Signal speed	0.72 c
Signal runtime	46 ns/m

Shield attenuation	60 dB (Up to 1000 MHz)
Interference suppression	90 dB (Up to 1000 MHz)
Nominal voltage, conductor	125 V
Test voltage, conductor	1000 V
Twisted pairs	2 cores to the pair
Type of pair shielding	Aluminum-lined polyester foil
Overall twist	Two pairs and two power supply wires to the core
Shielding	Braided shielding made of galvanized copper wires
Optical shield covering	65 %
Outer sheath, material	PUR
Material conductor insulation	Cell PE (signal line) PVC (Power supply)
Conductor material	Bare Cu litz wires
Cable weight	56 kg/km
Smallest bending radius, fixed installation	≥ 35 mm
Smallest bending radius, movable installation	≥ 35 mm
Ambient temperature (operation)	-20 °C ... 60 °C (cable, fixed installation) 0 °C ... 50 °C (cable, flexible installation)

Accessories

Item	Designation	Description
------	-------------	-------------

Marking

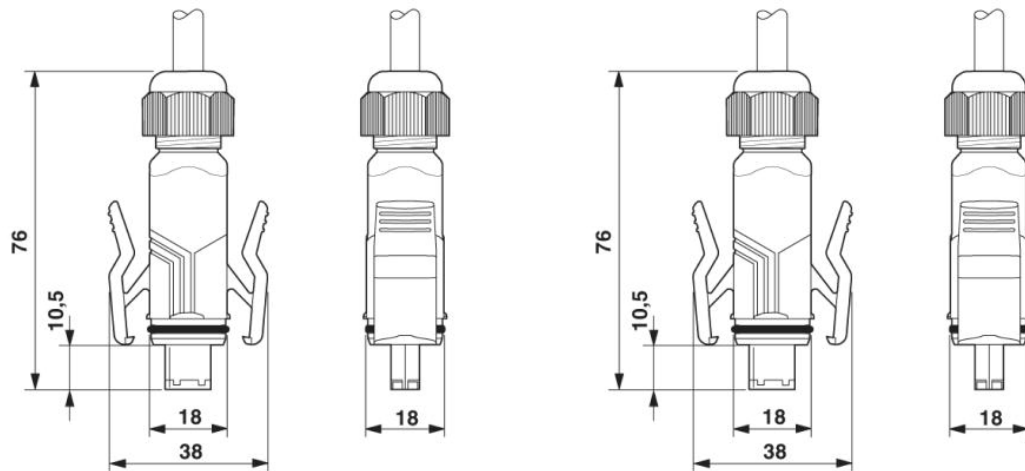
0814775	VS-ZBFM-8-SET	Marker label set, consisting of 4 sheets (white, blue, yellow, orange) each with 50 labels for color marking of sleeve housings and panel mounting frames with IP67 protection
---------	---------------	--

Protective covers

1653757	VS-SCRJ-PC	IP67 protective cover, for covering the male inserts in the sleeve housings IP67, VS-SCRJ-..., VS-04-..., VS-06-... and VS-08-...
---------	------------	---

Diagrams/Drawings

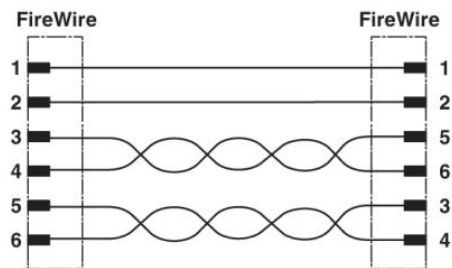
Dimensioned drawing



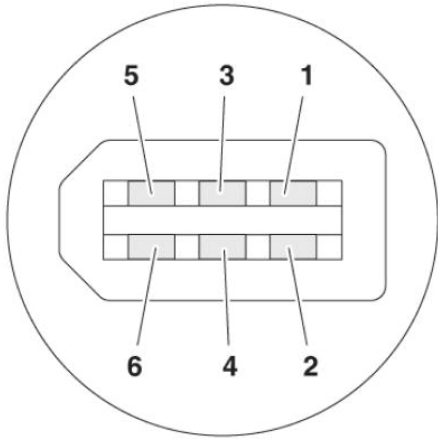
FireWire plug connector, IP67

FireWire plug connector, IP67

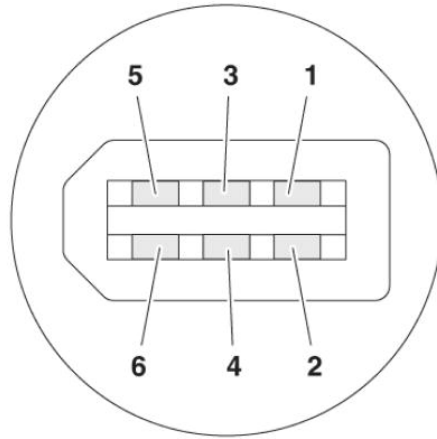
Circuit diagram



Schematic diagram



Pin assignment plug FireWire



Pin assignment plug FireWire

Address

PHOENIX CONTACT Inc., USA
586 Fulling Mill Road
Middletown, PA 17057, USA
Phone (800) 888-7388
Fax (717) 944-1625
<http://www.phoenixcon.com>



© 2011 Phoenix Contact
Technical modifications reserved;