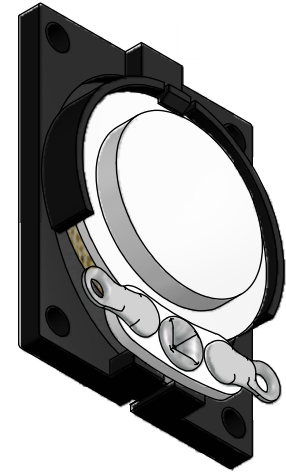
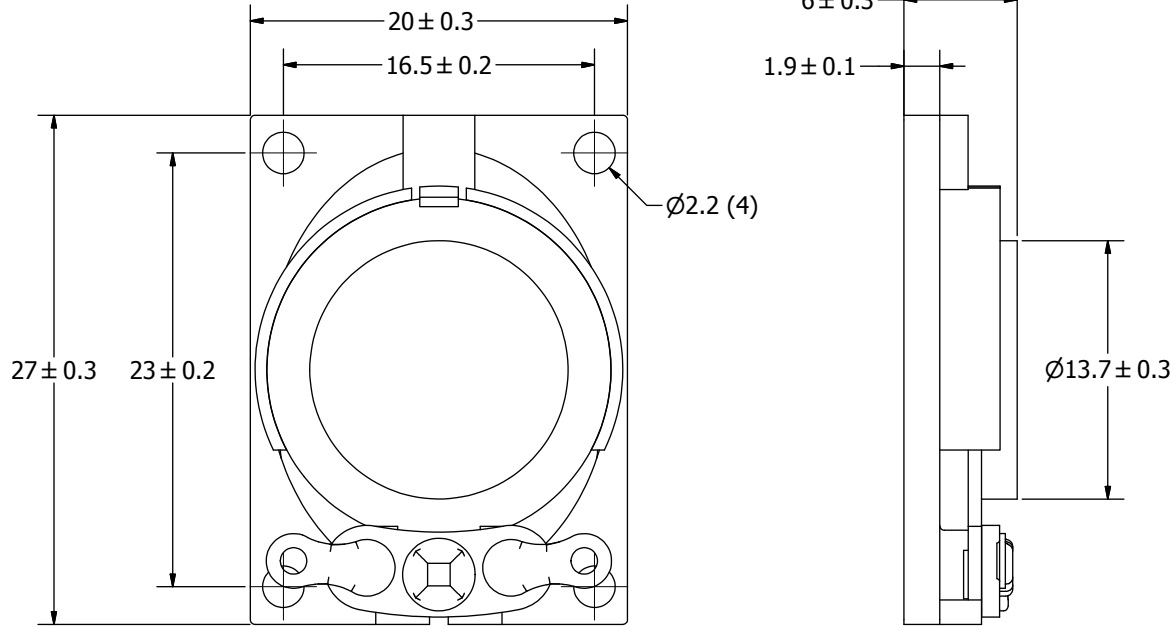


| SPECIFICATIONS                                     |              |       |
|--|--------------|-------|
| PARAMETERS   | VALUES       | UNITS |
| RATED INPUT POWER                                  | 1            | W     |
| MAX INPUT POWER                                    | 3            | W     |
| IMPEDANCE  | 8 ± 15%      | OHM   |
| OUTPUT SPL @ 1W/0.5M<br>(AT 0.8, 1.0, 1.2, 1.5 Hz) | 80 ± 3       | dBA   |
| DISTORTION (MAX.)                                  | 5%           | -     |
| RESONANT FREQUENCY                                 | 650 ± 20%    | Hz    |
| FREQUENCY RANGE                                    | 250 ~ 20,000 | Hz    |
| HOUSING MATERIAL                                   | ABS          | -     |
| CONE MATERIAL                                      | CLOTH        | -     |
| MAGNET MATERIAL                                    | Nd-Fe-B      | -     |
| OPERATING TEMPERATURE                              | -20 ~ +60    | °C    |
| WEIGHT   | 4.5          | grams |


THIS DOCUMENT CONTAINS DATA PROPRIETARY TO PROJECTS UNLIMITED, INC. ANY USE OR REPRODUCTION, IN ANY FORM, WITHOUT PRIOR WRITTEN PERMISSION OF PROJECTS UNLIMITED, INC. IS PROHIBITED.  
©2003, Projects Unlimited Inc.

| REVISION HISTORY |   |            |          |
|------------------|---|------------|----------|
| LTR              | DESCRIPTION                                   | DATE       | APPROVED |
| -                | RELEASED FROM ENGINEERING                     | 5/17/2006  |          |
| A                | REVISED WIDTH DIMENSION                       | 10/17/07   |          |
| B                | REVISED HEIGHT DIMENSION & RESONANT FREQUENCY | 8/28/2008  | C.W.     |
| C                | REVISED TO INVENTOR 3-D DRAWING TEMPLATE      | 10/07/2008 | B.R.     |



**NOTES:**

1. ALL DIMENSIONS ARE IN MILLIMETERS.
2. SPECIFICATIONS SUBJECT TO CHANGE OR WITHDRAWAL WITHOUT NOTICE.
3. THIS PART IS RoHS 2002/95/EC COMPLIANT.

|  |      |                 |           |   |           |             |           |            |
|--|------|-----------------|-----------|---|-----------|-------------|-----------|------------|
| UNLESS OTHERWISE SPECIFIED:<br>DIMENSIONS ARE IN MILLIMETERS,<br>TOLERANCES ARE ±0.5 AND ANGLES ARE ±3°. | SIZE | Designed by     | Date      | Checked by  | Date      | Approved by | Date      | Drawn Date |
|  | A3   | J.D.            | 5/17/2006 | R.W.  | 5/17/2006 | B.R.        | 5/17/2006 | 10/7/2008  |
|  |      | AS02708CO-R-idw |           |  |           | AS02708CO-R |           | Edition    |
|  |      |                 |           | Speaker   |           | -           | 1 / 1     |            |