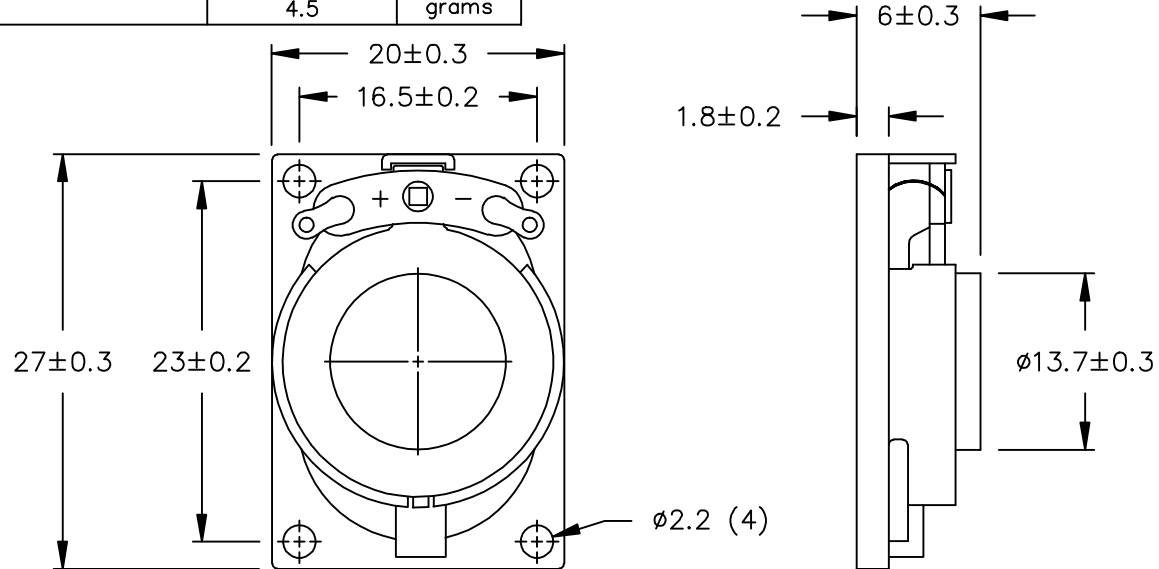


THIS DOCUMENT CONTAINS DATA PROPRIETARY TO PROJECTS UNLIMITED, INC. ANY USE OR REPRODUCTION, IN ANY FORM, WITHOUT PRIOR WRITTEN PERMISSION OF PROJECTS UNLIMITED, INC. IS PROHIBITED.
 ©2005, Projects Unlimited Inc.

SPECIFICATIONS

PARAMETERS	VALUES	UNITS
RATED INPUT POWER	1	W
MAX INPUT POWER	3	W
IMPEDANCE	8±15%	OHM
OUTPUT SPL @ 1W/0.5M (AT 0.8, 1.0, 1.2, 1.5 kHz)	80±3	dB
DISTORTION (MAX.)	5%	-
RESONANT FREQUENCY	550±20%	Hz
FREQUENCY RANGE	250 ~ 20000	Hz
HOUSING MATERIAL	ABS	-
CONE MATERIAL	CLOTH	-
MAGNET MATERIAL	Nd-Fe-B	-
OPERATING TEMPERATURE	-20 ~ +60	°C
WEIGHT	4.5	grams

REVISIONS			
LTR	DESCRIPTION	DATE	APPROVED
-	RELEASED FROM ENGINEERING	5/17/06	
A	REVISED WIDTH DIMENSION	10/17/07	



NOTES:

1. ALL DIMENSIONS ARE IN MILLIMETERS.
2. SPECIFICATION SUBJECT TO CHANGE OR WITHDRAWAL WITHOUT NOTICE.
3. THIS PART IS RoHS 2002/95/EC COMPLIANT.

FILE NAME
AS02708CO-R.DWG

UNLESS OTHERWISE SPECIFIED:
DIMENSIONS ARE IN MILLIMETERS, TOLERANCES ARE ±0.5 AND ANGLES ARE ±3°.

 projects® unlimited Dayton, Ohio

SPEAKER

APPROVALS	DATE
DRAWN <i>J.D.</i>	5/06
CHECKED <i>E.P.</i>	5/06
APPROVED <i>B.R.</i>	5/06

SIZE A DRAWING NO. AS02708CO-R

DO NOT SCALE DRAWING

SCALE: N.T.S.

SHEET 1 OF 1