

(0.50 mm) .0197"

FJH SERIES

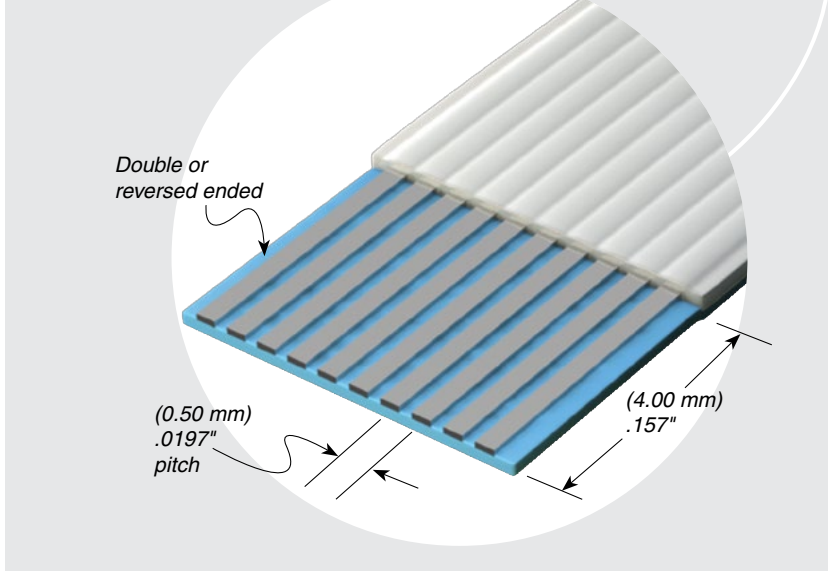
# FLAT FLEXIBLE CABLE (FFC) JUMPER

## SPECIFICATIONS

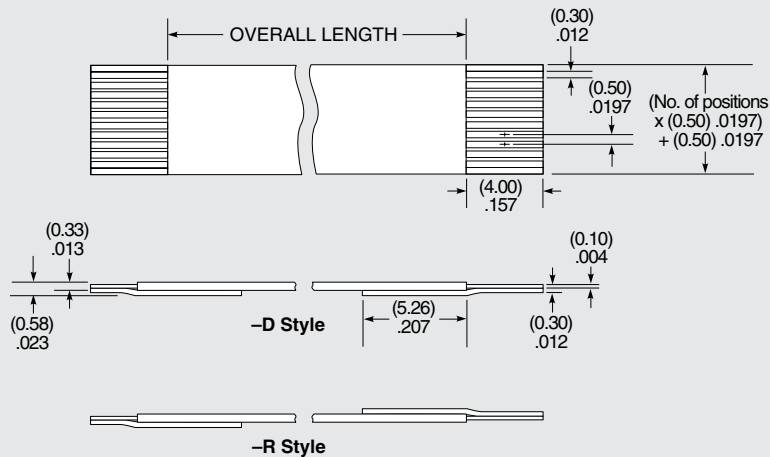
For complete specifications see [www.samtec.com?FJH](http://www.samtec.com?FJH)

- Conductor:**  
Tin Plated Copper
- Conductor Resistance:**  
1000 Ω/km max
- Insulation Resistance:**  
10 MΩ/km min  
(conductor-to-conductor)
- Dielectric Test:**  
400 VAC during 1 minute  
(conductor-to-conductor)
- Temperature Rating:**  
-30 °C to +80 °C
- Voltage Rating:**  
60 VAC
- RoHS Compliant:**  
Yes

Mates with:  
ZF5S



FJH	NO. OF POSITIONS	STYLE	OVERALL LENGTH	STRIP LENGTH
	-10, -15, -20, -25, -30, -40, -43, -50	-D = Double End  -R = Reversed End	-“XX.XX” = Specify OVERALL LENGTH in inches (±1/8 inch) (-D & -R = (50.80 mm) 2.00" minimum)	-4 = (4.00 mm) .157"



**Note:** Stiffener color will be blue or black at Samtec's discretion.

**Note:** Some sizes, styles and options are non-standard, non-returnable.

Due to technical progress, all designs, specifications and components are subject to change without notice.

[WWW.SAMTEC.COM](http://WWW.SAMTEC.COM)

All parts within this catalog are built to Samtec's specifications. Customer specific requirements must be approved by Samtec and identified in a Samtec customer-specific drawing to apply.