

Audio, Data & Signal, Plug, 3.5 mm, 3-pole, solder terminal, shielded



Description

- Solder terminal:
for cable mounting
- Audio entrances and exits
- Data and Signal transfer
- Data and Signal Connectors 3-pole, shielded, straight

References

Alternative: Housing insulated [4802.1310](#)

Weblinks

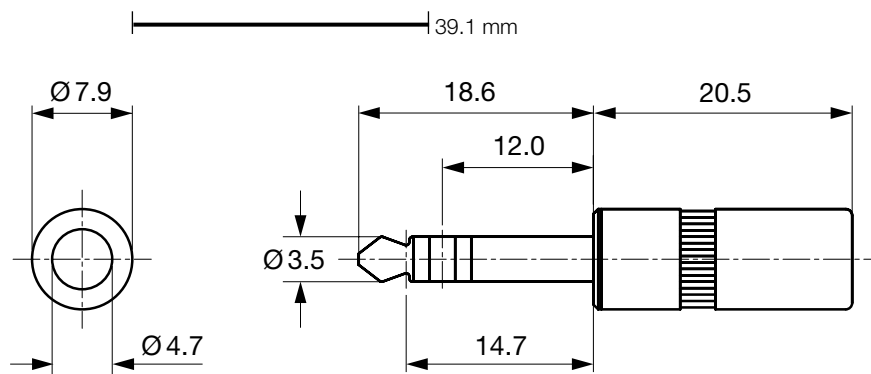
[pdf-datasheet](#), [html-datasheet](#), [General Product Information](#), [Approvals](#), [RoHS](#), [CHINA-RoHS](#), [Mating Connectors](#), [e-Shop](#), [SCHURTER-Stock-Check](#), [Distributor-Stock-Check](#)

Technical Data

Diameter	3.5 mm
Number of Poles	3-pole
Ratings DC	1 A / 12VDC
Ratings AC	1 A / 12 VAC
Dielectric Strength	500VDC
Insulation Resistance	> 10000 MΩ @ 500VDC

Allowable Operation Temp.	-20°C to 70°C
Terminal	solder terminal
Housing	screened
Style	straight
Lifetime	10000 Insertions

Dimensions



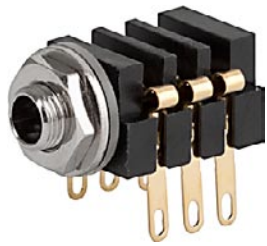
Variants

Product group	Diameter [mm]	Number of Poles	Terminal	Order Number
Data and Signal Plug/ Sockets	3.5	3-pole	solder terminal	4802.1300

Packaging unit 100 Pcs

Mating Outlets/Connectors

Category / Description



Data and Signal Plug/Socket Overview complete

Audio, Daten & Signal, Socket, 3.5 mm, 3-pole, solder terminal, shielded	4802.2300
Audio, Daten & Signal, Socket, 3.5 mm, 3-pole, solder terminal, insulated	4802.2310
Audio, Daten & Signal, Socket, 3.5 mm, 3-pole, solder terminals for PCB, shielded	4802.2320
Audio, Daten & Signal, Socket, 3.5 mm, 3-pole, solder terminals for PCB, insulated	4802.2330
Audio, Daten & Signal, Socket, 3.5 mm, 3-pole, without feet, SPECIAL	4802.2351
Data and Signal Plug/Socket further types to 4802 UK-Stecker, D=3,5mm	...