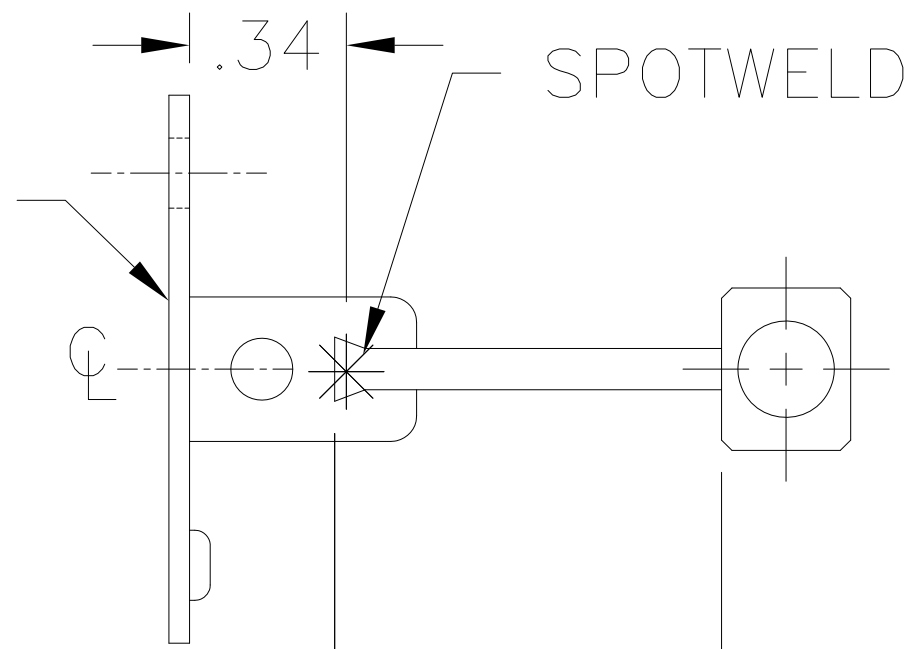
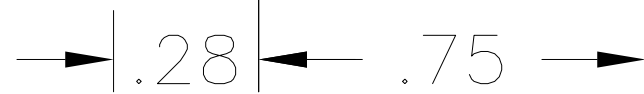


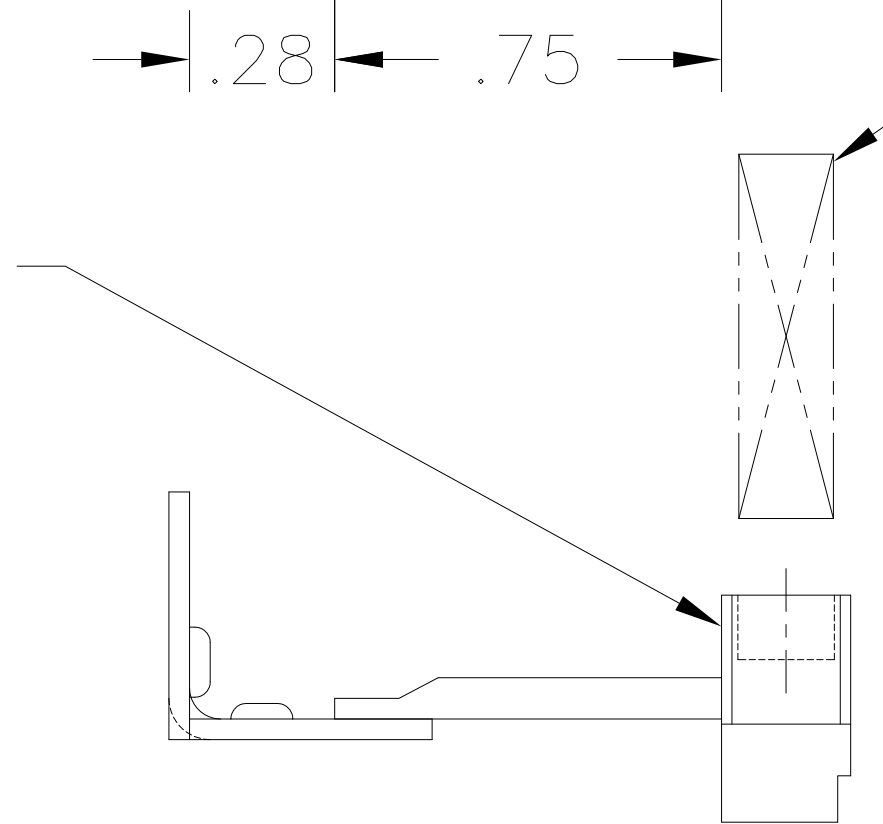
152-0083  
BRUSH  
RETAINER



SPOTWELD



146-0122  
BRUSH



627-0002 SPRING  
(SPRING SHOWN FOR  
REPLACEMENT PURPOSES)

NOTE:

FOR REPLACEMENT OF THE  
BRUSH ASS'Y. IN THE FIELD  
USE 033-1277 INSTALLATION  
INSTRUCTIONS.

DWG. SIZE A	DWG. NO. 808-0127		
REVISIONS			
SYM.	E.C.N.	DATE	APVD.
E	23550	10/21/97	
REMOVED NOTCH DIM.			

UNLESS OTHERWISE SPECIFIED. TOLERANCE IS ±  
DECIMALS      HOLES      ANGLES      DRAFT  
.XX .010      .002      1°      1-1/2°  
.XXX .005

UNITS  
IN [mm]

TITLE:  
**BRUSH ASS'Y  
1010**



MATERIAL :

ALL  
DIMENSIONS  
APPLY AFTER  
PLATING

The information and design disclosed herein was originated by and is the property of STACO ENERGY PRODUCTS CO., which reserves all patent, proprietary, design, manufacturing, reproduction, use and sale rights thereto, and to any article disclosed therein except to the extent rights are expressly granted to others. The foregoing does not apply to vendor proprietary parts.

DRAWN BY TIM RAU	DATE 10/21/97	FIRST USED ON 1010	DO NOT SCALE DWG.
CHECKER	DATE	WEIGHT APPROX.	CODE IDENT. NO. 83008
ENGINEER	DATE	SCALE 2=1	SHEET 1 OF 1

CUSTOMER APPROVAL	DATE
DWG. SIZE A	DWG. NO. 808-0127