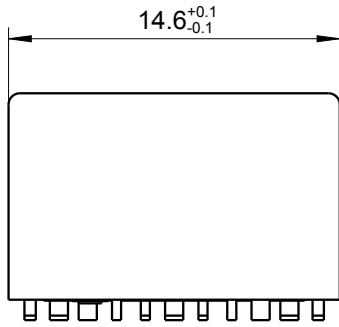
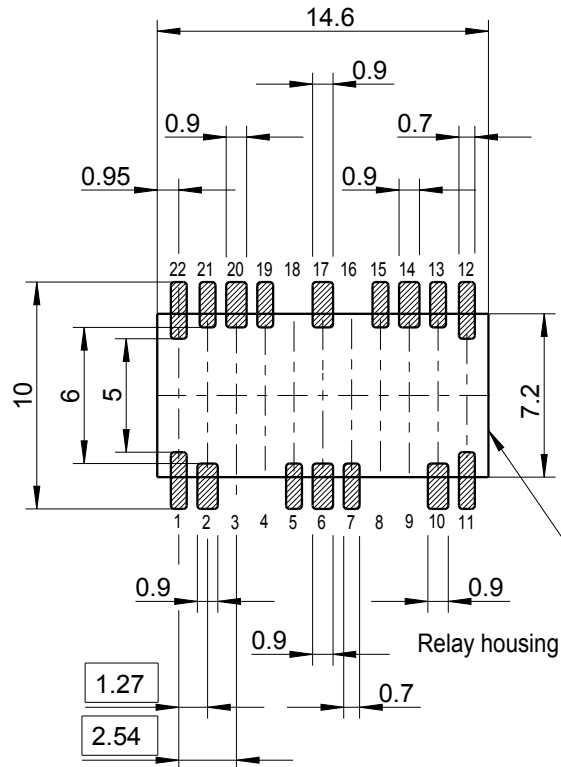
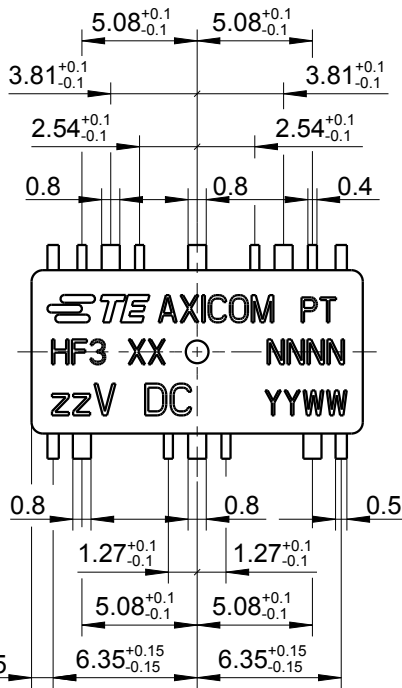
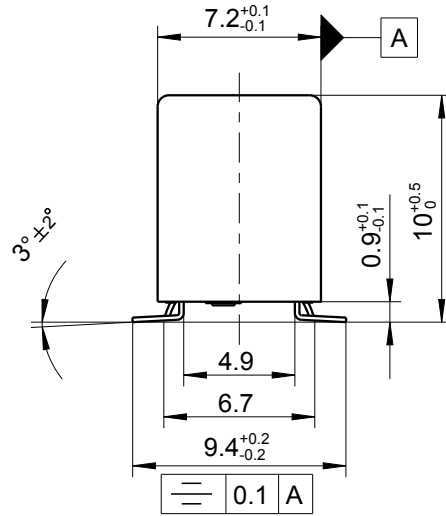


LOC	DIST	REVISIONS					
		P	LTR	DESCRIPTION	DATE	DWN	APVD
HJ	-		C	Printing	21JUL2009	UKo	HD
			D	Printing	09JUL2010	UKo	HD
			D1	REVIESED PER eco-11-005150	09JUL2010	RK	HMR
			D2	REVISED PER ECO-11-017072 (ECR-13-009645)	14JUN2013	UKo	AK



Coplanarity ≤ 0.10mm



XX = Relay type  
 zz = nominal voltage  
 YYWW = Date code  
 NNNN = Lot number

DRAWING ALIAS: H2000-DOK02

DIMENSIONS: mm	DWN	UKo 9193	16AUG2002	MATERIAL	-	FINISH	-
	CHK	HD 9121	16AUG2002	TE Connectivity			
TOLERANCES UNLESS OTHERWISE SPECIFIED: DIN 7168-m	APVD	HD 9121	16AUG2002				
0 PLC ±-	PRODUCT SPEC	-		SIZE	CAGE CODE	DRAWING NO	RESTRICTED TO
1 PLC ±-	APPLICATION SPEC	-		A4	00779	C-1462051-2	-
2 PLC ±-	WEIGHT	-		CUSTOMER DRAWING			
3 PLC ±-				SCALE	3:1	SHEET	1 OF 1
4 PLC ±-				REV D2			
ANGLES ±1°							