



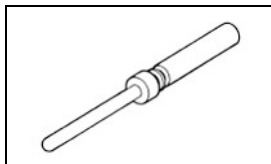
Have a Question?
 Chat with a Product
 Information Specialist

What can we help you find?

[Products](#) |
 [Industries](#) |
 [Resources](#) |
 [About TE](#) |
 [My Account](#) |
 [Innovation](#) |
 [Support Center](#)

204370-8 Product Details

[+ Share](#) |
 [Print](#) |
 [Email](#)



204370-8

TE Internal Number: 204370-8

Active

View 3D PDF

Subminiature D Pins/Sockets for MIL-C-24308 and MIL-C-39029

Always EU RoHS/ELV Compliant (Statement of Compliance)

Product Highlights:

- Contact
- Product Series = 90
- Contact Type = Pin
- Applies To Wire/Cable
- Contact Size = 22

[View all Features](#)

Quick Links

- ▶ [Pricing & Availability](#)
- ▶ [Search for Tooling](#)
- ▶ [Product Feature Selector](#)
- ▶ [Contact Us About This Product](#)

[Add to My Part List](#) |
 [Request Sample](#) |
 [Find Similar Products](#) |
 [Buy Product](#)

Documentation & Additional Information	
<p>Product Drawings:</p> <ul style="list-style-type: none"> • CONTACT PIN, SIZE 22D (PDF, English) <p>Catalog Pages/Data Sheets:</p> <ul style="list-style-type: none"> • None Available <p>Product Specifications:</p> <ul style="list-style-type: none"> • None Available <p>Application Specifications:</p> <ul style="list-style-type: none"> • None Available <p>Instruction Sheets:</p> <ul style="list-style-type: none"> • Application Tooling for Screw-Machine Contacts (PDF, English) <p>CAD Files: (CAD Format & Compression Information)</p> <ul style="list-style-type: none"> • 2D Drawing (DXF, Version BG) • 3D Model (IGES, Version BG) • 3D Model (STEP, Version BG) 	<p>Additional Information:</p> <ul style="list-style-type: none"> • Product Line Information <p>Related Products:</p> <ul style="list-style-type: none"> • Tooling

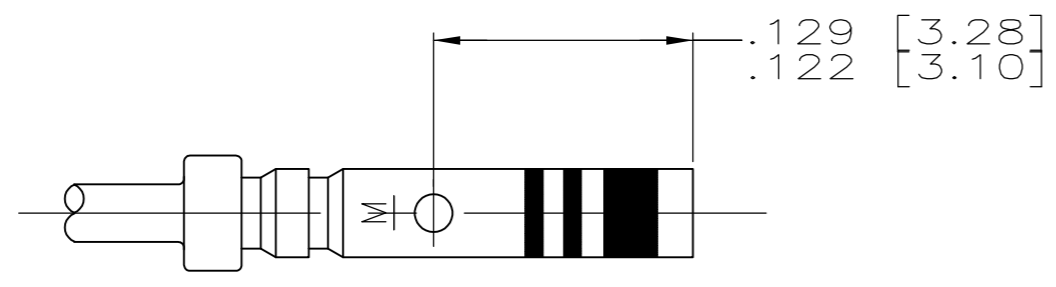
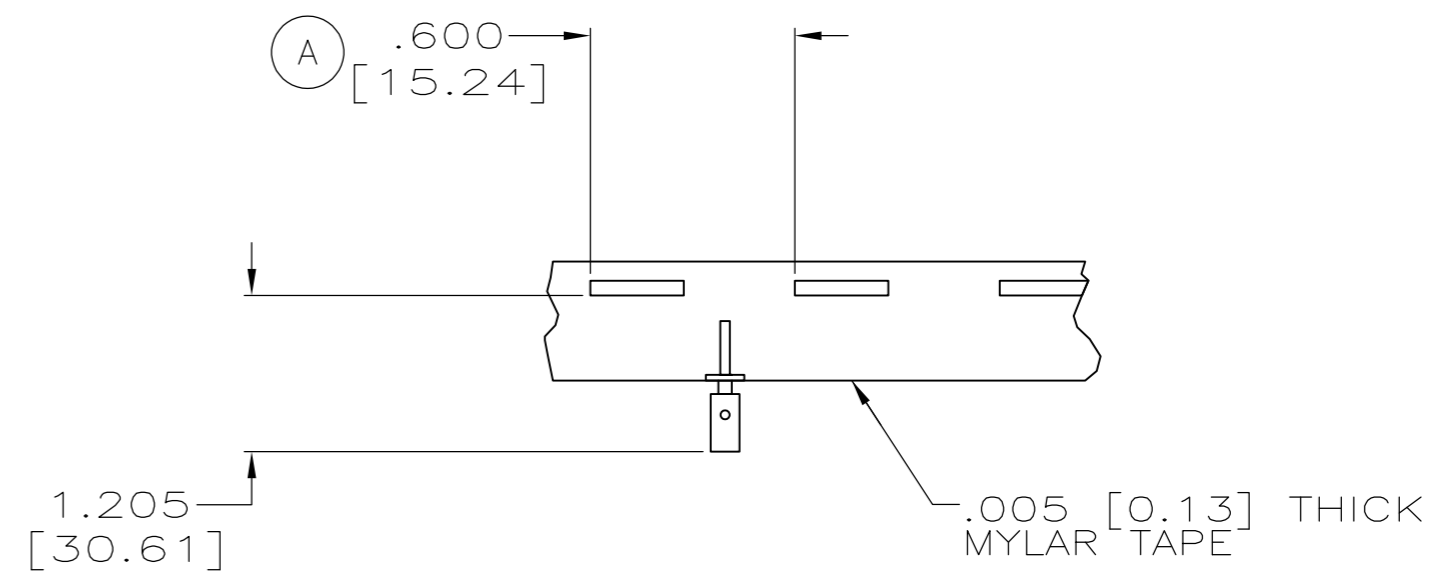
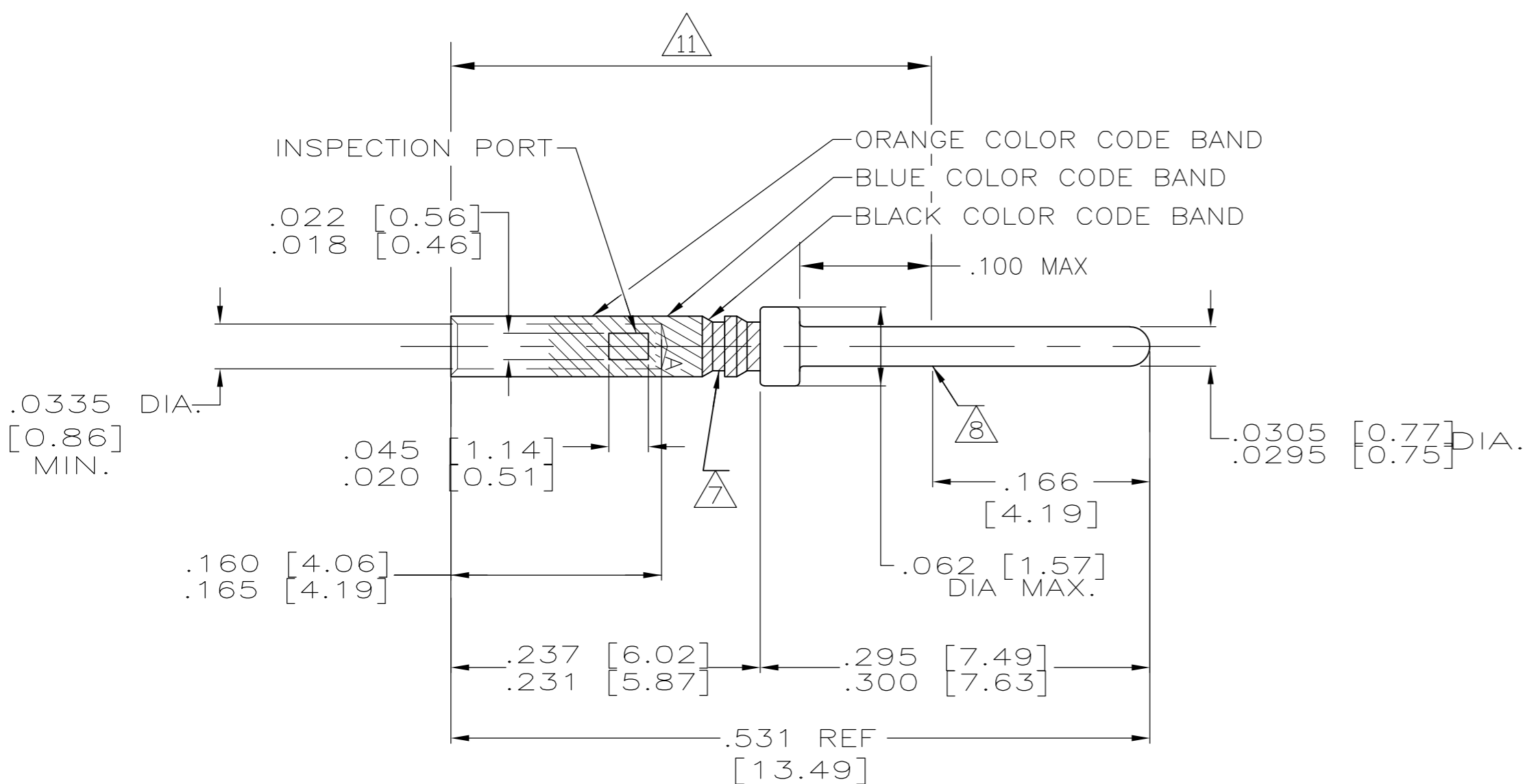
[List all Documents](#)

Product Features (Please use the Product Drawing for all design activity)	
<p>Product Type Features:</p> <ul style="list-style-type: none"> • Product Type = Contact • Product Series = 90 <p>Electrical Characteristics:</p> <ul style="list-style-type: none"> • High Current = No <p>Termination Features:</p> <ul style="list-style-type: none"> • Termination Method to Wire/Cable = Crimp <p>Dimensions:</p> <ul style="list-style-type: none"> • Post Diameter (mm [in]) = 0.76 [0.030] • Insulation Diameter (mm [in]) = 1.38 [.054] Max. <p>Body Features:</p> <ul style="list-style-type: none"> • Wire Range (mm [AWG]) = 0.08-0.40² [28-22] <p>Contact Features:</p> <ul style="list-style-type: none"> • Contact Type = Pin • Contact Size = 22 • Contact Style = Crimp Snap-in • Contact Base Material = Copper Alloy • Contact Plating, Mating Area, Material = Gold over Copper 	<p>Industry Standards:</p> <ul style="list-style-type: none"> • Government/Industry Qualification = Yes • Government/Industry Part Number = G-08-P1 • RoHS/ELV Compliance = RoHS compliant, ELV compliant • Lead Free Solder Processes = Not relevant for lead free process • RoHS/ELV Compliance History = Always was RoHS compliant <p>Conditions for Usage:</p> <ul style="list-style-type: none"> • Applies To = Wire/Cable <p>Packaging Features:</p> <ul style="list-style-type: none"> • Packaging Method = Loose Piece <p>Other:</p> <ul style="list-style-type: none"> • Brand = AMP • Comment = Insertion/Extraction Tool No. 91067-1 (Military No. M81969/1-04) is used to install and remove pin and socket contacts.; These contacts are used in Series 90 military connectors.

THIS DRAWING IS UNPUBLISHED. RELEASED FOR PUBLICATION
 © COPYRIGHT - By - ALL RIGHTS RESERVED.

LOC		DIST		REVISIONS			
P	LTR	DESCRIPTION	DATE	DWN	APVD		
	S	REV PER ECO-12-007856	25APR12	PY	RL		

1. WIRE BARREL WILL ACCEPT #22-28 AWG WIRE.
2. CRIMPING TOOL- USE MS3198-1 WITH APPLICABLE POSITIONER.
3. CONTACT CONFORMS TO MIL-C-39029/58, SIZE 22. & MS27493-22D.
4. NET WEIGHT- .072 GRAMS.
5. INSERTION, EXTRACTION TOOL- AMP P/N 91067-1.
6. THIS CONTACT IDENTIFIED AS MS27493-22D SUPERSEDES M24308/13-1.
7. IDENTIFICATION GROOVE IS OPTIONAL.
8. POINT OF PLATING THICKNESS MEASUREMENT.
9. PLATING: GOLD PER ASTM-B-488 OVER NICKEL PER QQ-N-290.
10. PLATING: GOLD PER ASTM-B-488 OVER COPPER PER AMS 2418
11. MANUFACTURER'S LOGO ("A" OR "- . .") MARKED IN THIS AREA.



ALTERNATE CONFIGURATION

WHEN ORDERING CONTACT ON TAPE, ORDER BY THE TAPE NUMBER PLUS THE PACKAGEING CODE AS FOLLOWS:

2. FOR USE WITH AMP TAPETRONIC, PNEUMATIC TOOL-
 - A. 1000 PARTS TO A BOX ADD PACKAGING CODE: 1MBOX
3. FOR USE WITH 4/8 INDENT STRIPPER CRIMPER-
 - A. 1000 PARTS TO A REEL ADD PACKAGING CODE: 1MREEL
 - B. 5000 PARTS TO A REEL ADD PACKAGING CODE: 5MREEL

AS SHOWN	9	1-204370-3
CONTACTS ON TAPE WITH COLOR CODE	SAME AS -3	1-204370-2
WITHOUT COLOR CODE	10	204370-8
CONTACTS ON TAPE	SAME AS -2	204370-5
AS SHOWN	9	204370-2
DESCRIPTION	PLATING	PART NO.

THIS DRAWING IS A CONTROLLED DOCUMENT.		DWN R. RINEHART 10-3-90	TE TE Connectivity	
DIMENSIONS: INCHES		CHK A. EMADI 10-15-90		
TOLERANCES UNLESS OTHERWISE SPECIFIED:		APVD A. EMADI 10-15-90	NAME CONTACT PIN, SIZE 22D	
0 PLC ± -		PRODUCT SPEC	-	
1 PLC ± -		APPLICATION SPEC	-	
2 PLC ± -			-	
3 PLC ± .005			-	
4 PLC ± -			-	
ANGLES ± -			-	
FINISH		WEIGHT -	SIZE A2	CAGE CODE 00779
-			DRAWING NO C=204370	RESTRICTED TO -
		CUSTOMER DRAWING	SCALE 10:1	SHEET 1 of 1
			REV S	