

Hardware (Continued)

Material

Latching Blocks—Zinc

Related Product Data:

Connectors used with:

HDE Metal-Shell or All-Plastic—pages 117-120

HDF Metal-Shell or All-Plastic—pages 130 & 131

HDP Metal-Shell—pages 95-107

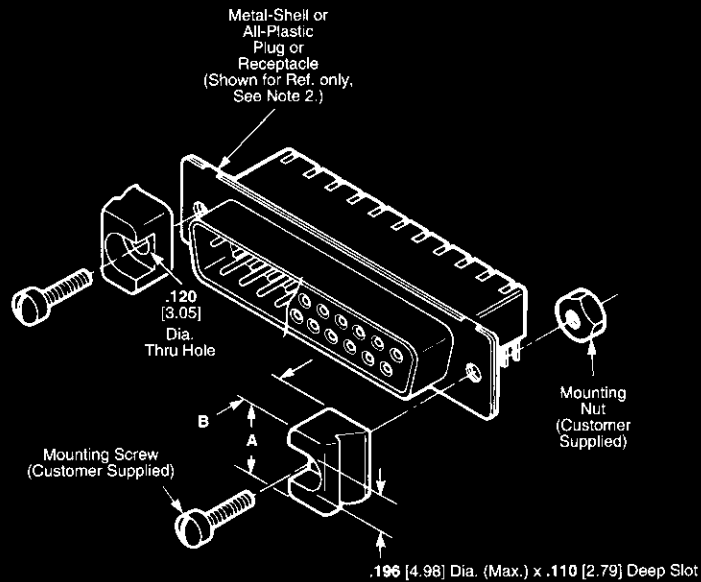
HD Board Mount—pages 55-72, 83-90, 92-94

Mating/Panel Mounting—page 141

Technical Documents:

Instruction Sheet—408-9128

Latching Blocks with Slot Recess and Thru Hole



Shell (No. of Contact Pos.)	Dimensions		Panel Thickness	Rear-Panel Latching Block Part No.		Front-Panel Latching Block Part No.	
	A	B		Individual	Bulk Packed*	Individual	Bulk Packed*
1 thru 4 (9 thru 37)	.400 10.16	.160 4.06	.090 2.29	747080-2	—	—	—
		.190 4.83	.060 1.52	745245-2	745245-3	—	—
		.250 6.35	—	—	—	745286-2	745286-3
5 (50)	.530 13.46	.190 4.83	.060 1.52	—	—	745245-5	—

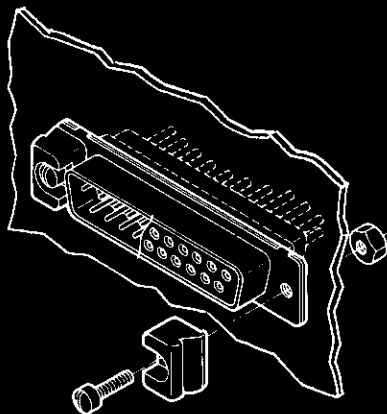
*Bulk packed for multiple part orders.

**Individual kits contain two latching blocks per package.

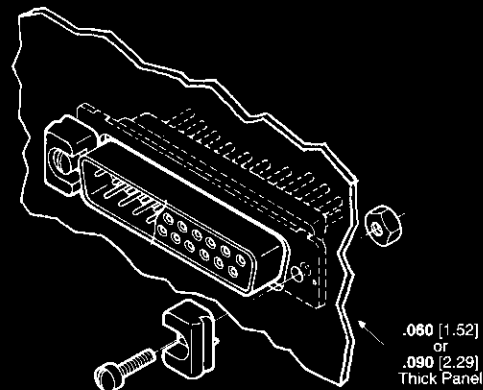
Notes: 1. Mounting screws and nuts are to be supplied by Customer.

2. These latching blocks allow mounting screws to be installed thru the front of the block and to be screwed into the bracket of a right-angle connector, a fixed insert in a connector mounting flange, or a nut behind the connector mounting flange (as illustrated above).

3. Latching blocks mate with spring latches (page 157).



Typical Application of Front-Panel Mounted Subminiature D Connector using Front-Panel Latching Blocks



Typical Application of Rear-Panel Mounted Subminiature D Connector using Rear-Panel Latching Blocks