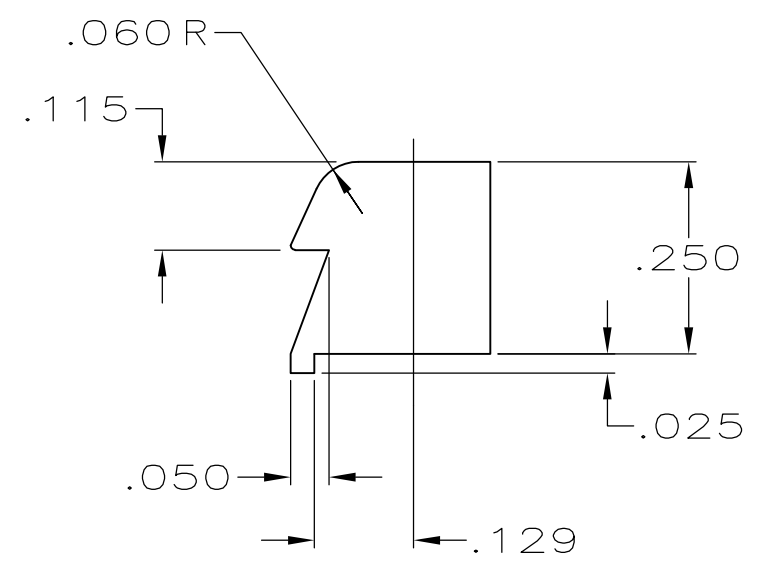
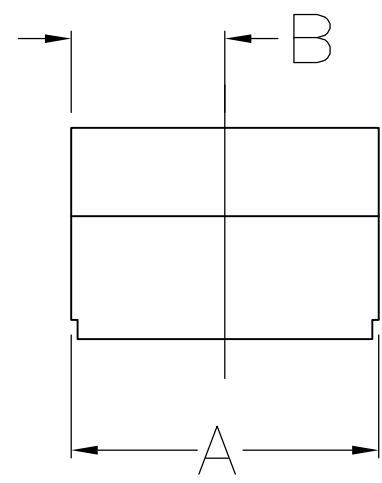
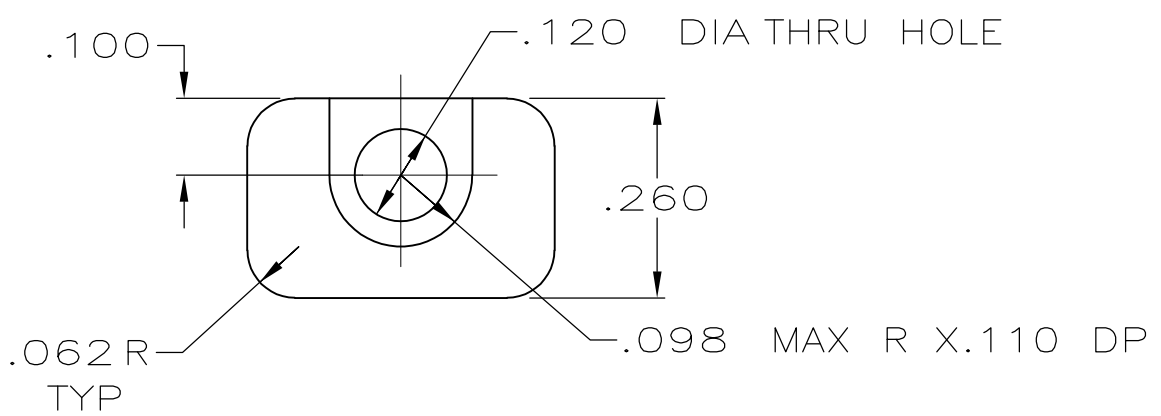


THIS DRAWING IS UNPUBLISHED. RELEASED FOR PUBLICATION
 © COPYRIGHT - By - ALL RIGHTS RESERVED.

LOC	DIST	REVISIONS					
GP	00	P	LTR	DESCRIPTION	DATE	DWN	APVD
			C	REVISED PER ECO-13-018213	27NOV2013	CJV	CWR



OBSOLETE	BULK PACKAGED	2	.265	.530	745286-6
OBSOLETE	ONE KIT PER BAG	2	.265	.530	745286-5
	BULK PACKAGED	2	.200	.400	745286-3
	ONE KIT PER BAG	2	.200	.400	745286-2
	PACKAGING	QUANTITY	B	A	PART NUMBER

THIS DRAWING IS A CONTROLLED DOCUMENT.		DWN J GALLUCCI BG 4-10-90	STE TE Connectivity		
DIMENSIONS: INCHES		CHK -			
		TOLERANCES UNLESS OTHERWISE SPECIFIED:		PRODUCT SPEC -	
		0 PLC ± - 1 PLC ± - 2 PLC ± - 3 PLC ± .005 4 PLC ± - ANGLES ± -		APPLICATION SPEC -	
MATERIAL ZINC-ZAMAC #3		FINISH		WEIGHT -	RESTRICTED TO -
CUSTOMER DRAWING			SIZE A3	CAGE CODE 00779	DRAWING NO C-745286
			SCALE 4:1	SHEET 1 OF 1	REV C