

Distributed by:

JAMECO[®]
ELECTRONICS

www.Jameco.com ♦ 1-800-831-4242

The content and copyrights of the attached
material are the property of its owner.

Jameco Part Number 866200

Specification Status: Released

Maximum Electrical Rating at 20°C

30 V_{DC} / 100 A_{DC}
30 V_{AC} / 70 A_{RMS}

Insulating Material:
 Cured, Flame Retardant Epoxy Polymer
 meets UL94 V-0 Requirements

Lead Material:
 24 AWG Tin Plated Copper Clad Steel

Marking:

- Raychem Logo and Voltage
- XX 30
- UF135 — Part Identification
- — Lot Identification (can be on back)

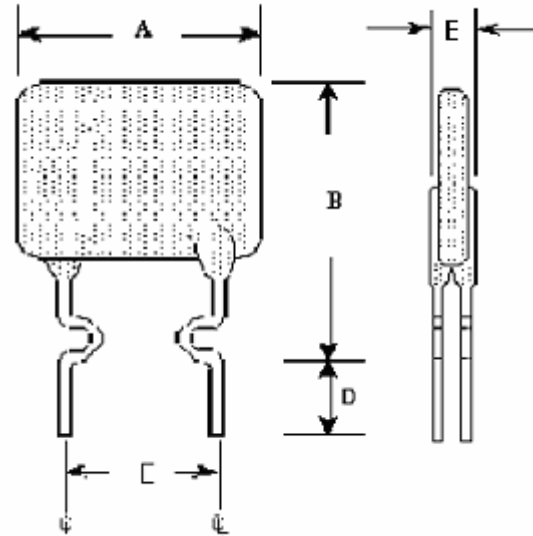


TABLE I. DIMENSIONS:

	A		B		C		D		E	
	MIN	MAX	MIN	MAX	MIN	MAX	MIN	MAX	MIN	MAX
mm:	--	8.9	--	13.5	4.3	5.8	7.6	--	--	3.0
in*:	--	(0.35)	--	(0.53)	(0.17)	(0.23)	(0.30)	--	--	(0.12)

*Rounded off approximation

TABLE II. PERFORMANCE RATINGS:

I HOLD	CURRENT RATINGS		TIME TO TRIP	RESISTANCE		ONE-HOUR POST-TRIP RESISTANCE STANDARD TRIP	NOMINAL TRIPPED POWER DISSIPATION
AMPS	AMPS AT 20°C HOLD	AMPS AT 20°C TRIP	SECONDS AT 20°C, 6.75.A MAX	OHMS AT 20°C MIN	OHMS AT 20°C MAX	OHMS AT 20°C MAX	WATTS AT 20°C
1.35	1.35	2.70	7.3	0.04	0.08	0.13	0.8

Agency Recognitions:
 Reference Documents:
 Precedence:
 Effectivity:
 CAUTION:

UL, CSA, TUV
 PS300
 This specification takes precedence over documents referenced herein.
 Reference documents shall be the issue in effect on the date of invitation for bid.
 Operation beyond the rated voltage or current may result in rupture, electrical arcing or flame.

Materials Information

ROHS Compliant **ELV Compliant** **Pb-Free**

